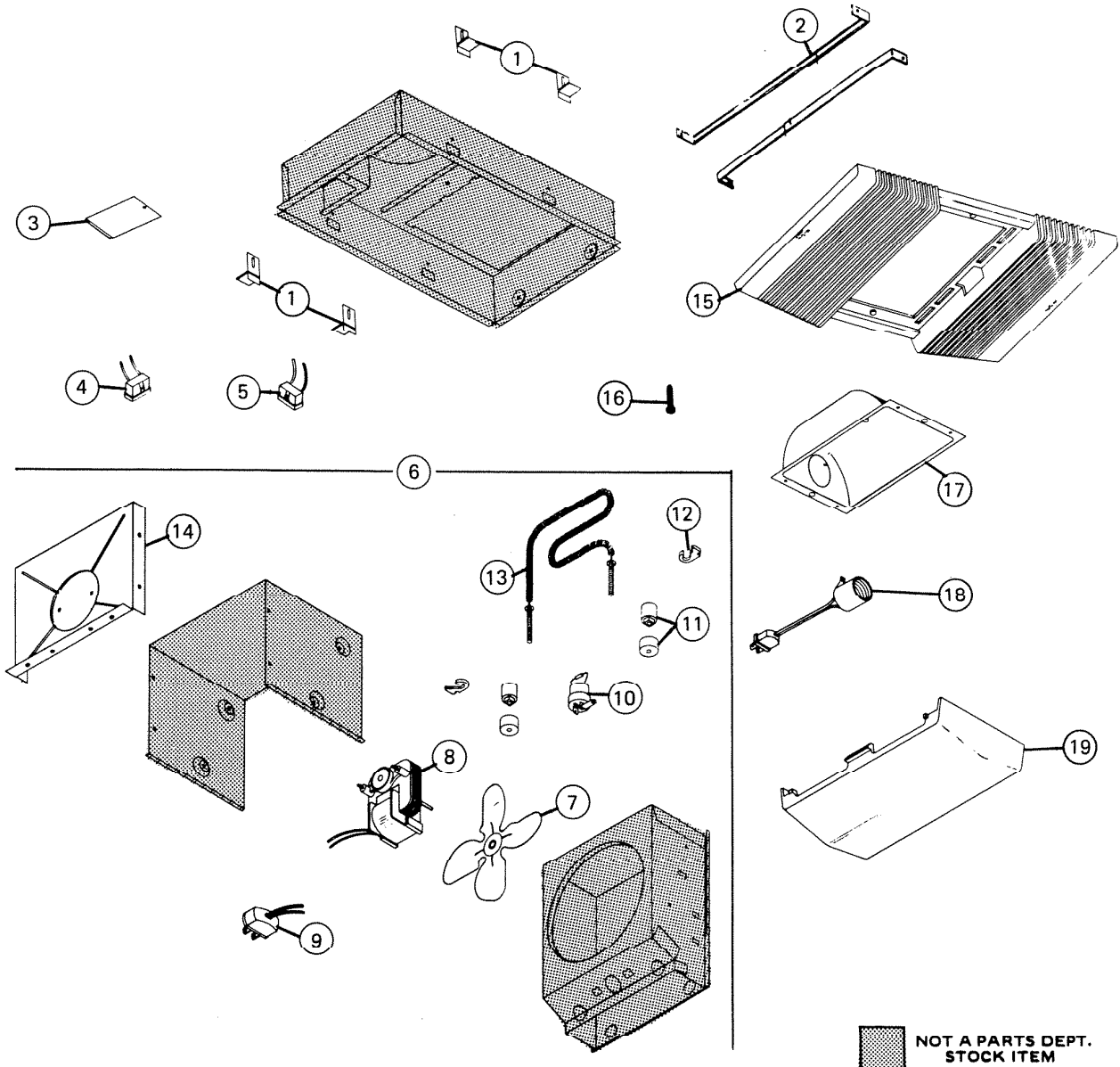


PARTS LIST

EFFECTIVE DATE	MODEL	PRODUCT GROUP
APRIL 1985	660 REVISED	HEATER





 NOT A PARTS DEPT. STOCK ITEM

REF.	ORIGINAL PART NO.	* PART DESCRIPTION	MODEL USED ON	CURRENT REPLACEMENT PART NO.
1	53693	MOUNTING BRACKET - 4 REQUIRED	660	53693-000
2	13306	HANGER ROD SET	660	1171A-000
3	23383	ACCESS PLATE	660	57119-000
(PLEASE SEE OTHER SIDE)				

NuTone

PRINTED IN U.S.A.

 NOTE: Always order by current part number.

REF	ORIGINAL PART NO.	PART DESCRIPTION		MODEL USED ON	CURRENT REPLACEMENT PART NO.
4	66204	PLUG RECEPTACLE - BLACK		660	66204-000
5	18105	PLUG RECEPTACLE - WHITE		660	18105-000
6	53698	HEAT BOX ASSEMBLY		660	53698-000
7	17728	FAN BLADE	3/16 dia. hub	660	17728-000
	6915A		7/32 dia. hub		6915A-000
8	53706	HEAT MOTOR		660	1166A-000
9	54157	PLUG ASSEMBLY - WHITE		660	54157-000
10	53702	THERMAL FUSE LINK		660	53702-000
11	69314	INSULATOR BUSHING SET - 2 REQ'D		660	69314-000
12	27546	ELEMENT SUPPORT - 6 REQ'D		660	27546-000
13	27593	HEAT ELEMENT		660	58120-000
14	53705	MOTOR PLATE		660	53705-000
15	53714	GRILLE		660	53714-000
16	52844	GRILLE SCREW		660	52844-015
17	56685	REFLECTOR	CURRENT PROD.	660	56685-014
	63685		EARLY PROD.		63685-000
18	53717	LAMPSOCKET		660	53717-000
19	53740	LENS		660	53740-000
					 NOTE: Always order by current part number.