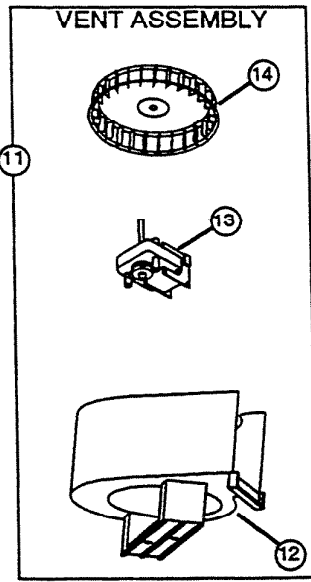
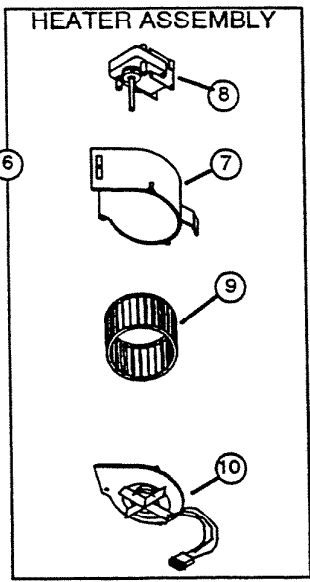
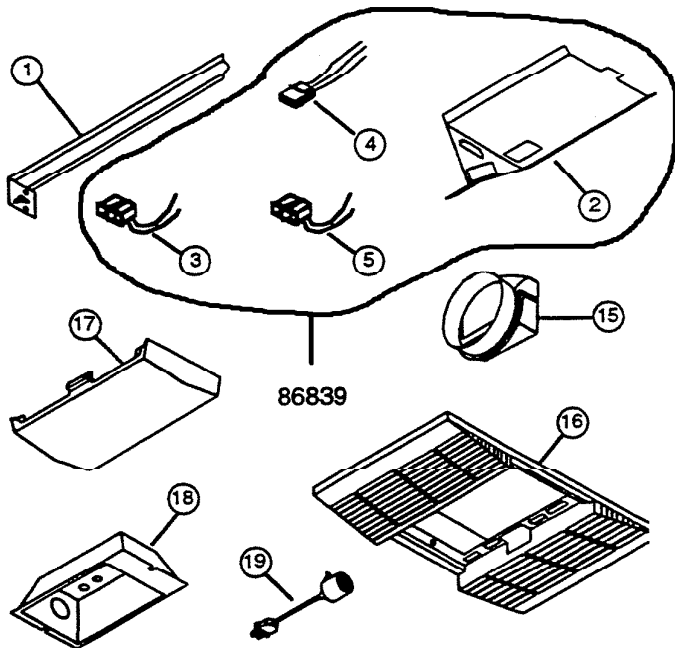


PARTS LIST

EFFECTIVE DATE	MODEL NUMBER	PRODUCT GROUP
NOVEMBER 1996	665P	HEATER



REF.	ORIGINAL PART NO.	PART DESCRIPTION	CURRENT REPLACEMENT PART NO.
1	44388	Hanger Bar	44388-000
2	89759	Outlet Box Cover	89759-000
3	82304	Receptacle-Light	82304-000
4	89843	Receptacle-Heat	89843-000
5	57976	Receptacle-Vent	57976-000
6	89844	Heater Assembly	89844-000
7	89758	Heat Scroll	89758-000
8	89845	Motor-Heat	89845-000
9	66583	Blower Wheel-Heat	66583-000
10	89756	Heater Element	89756-000
11	89849	Vent Assembly	89849-000
12	89757	Vent Scroll	89757-000
13	89850	Motor-Vent	89850-000
14	68739	Blower Wheel-Vent	68739-000
15	30652	Duct Adapter	30652-000
16	89760	Grille	89760-000
17	53740	Lens	53740-000
18	89765	Reflector	89765-000
19	35758	Lamp Socket	35758-000

NuTone

NuTone
 Attn: Parts Department
 Madison & Red Bank Rds.
 Cincinnati, OH 45227-1599
 Phone: (513) 527-5426
 Fax: (513) 527-5173

↑
NOTE: Always order by current part number
 665P I.I.