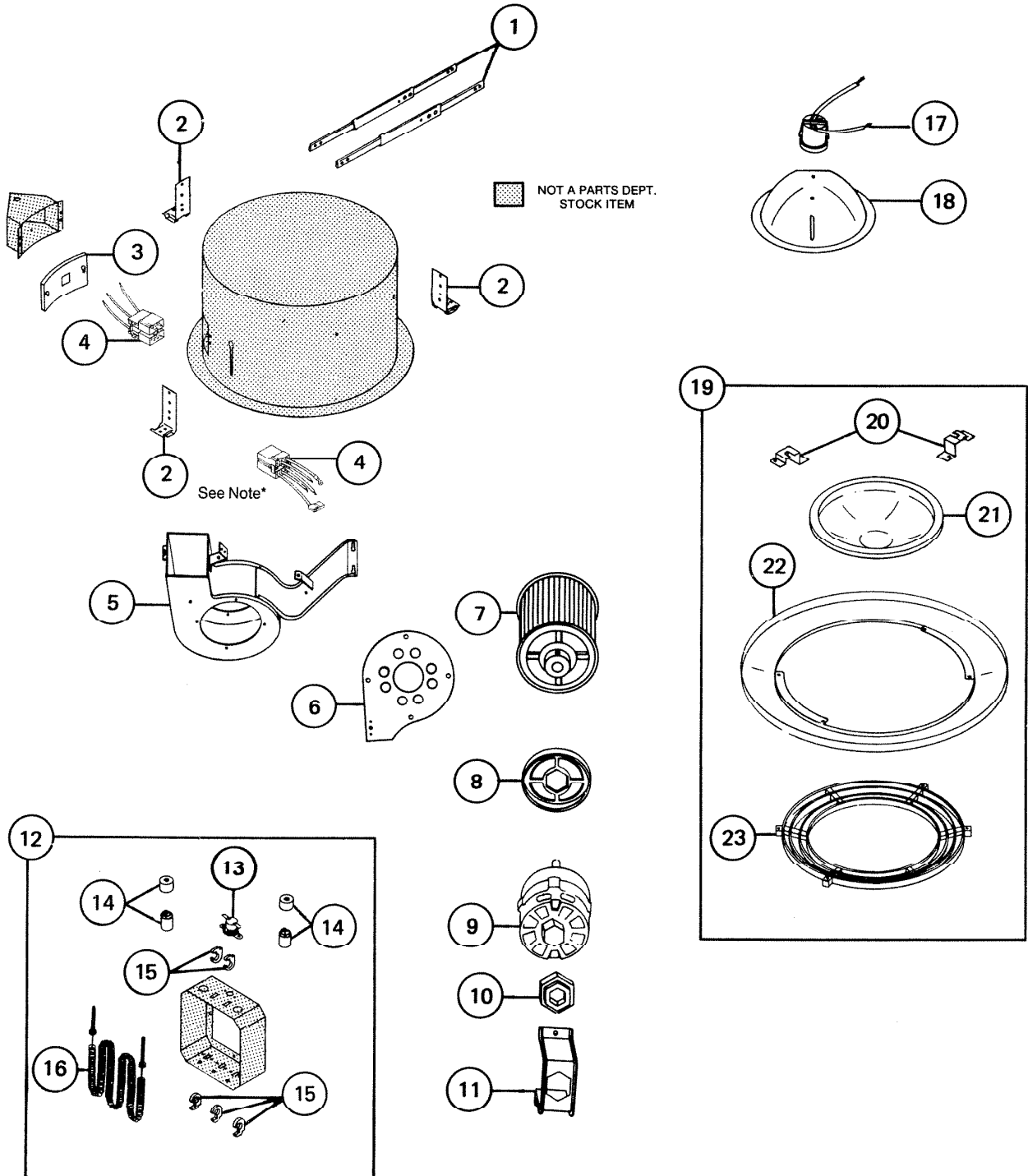


# PARTS LIST

| EFFECTIVE DATE | MODEL        | PRODUCT GROUP |
|----------------|--------------|---------------|
| JAN. 1990      | 9011 REVISED | HEATER        |

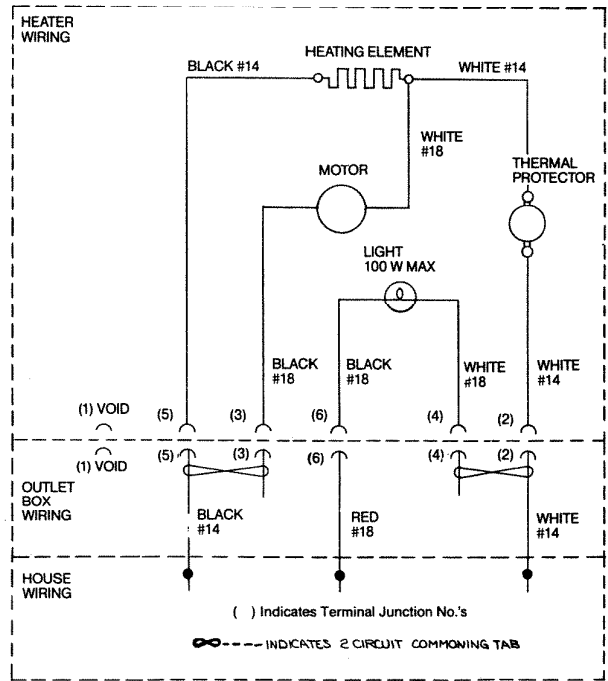


| REF. | ORIGINAL PART NO. | *PART DESCRIPTION                          | CURRENT REPLACEMENT PART NO.  |
|------|-------------------|--|-------------------------------|
| 1    | 13306             | HANGER BAR SET                             | 13306-000                     |
| 2    | 10173             | CEILING MOUNTING BRACKET                   | 53194-000                     |
| 3    | 27508             | OUTLET BOX COVER                           | 27508-000                     |
| 4    | See NOTE*         | RECEPTACLE/SOCKET/WIRE ASSEMBLY            | 0477A-000                     |
| 5    | 27529             | BLOWER SCROLL ASSEMBLY                     | <b>VOID<br/>NOT AVAILABLE</b> |
| 6    | 27250             | MOTOR PLATE                                |                               |
| 7    | 27251             | BLOWER WHEEL                               |                               |
| 8    | 19359             | MOTOR MOUNT HEX                            | 19359-000                     |
| 9    | 27540             | MOTOR                                      | 27540-SER                     |
| 10   | 19360             | MOTOR MOUNT                                | 19360-000                     |
| 11   | 27252             | MOTOR SUPPORT                              | 27252-000                     |
| 12   | 27544             | HEAT BOX ASSEMBLY                          | 27544-000                     |
| 13   | 27548             | THERMAL PROTECTOR                          | 27548-000                     |
| 14   | 69314             | INSULATOR BUSHING SET--(1) Male (1) Female | 69314-000                     |
| 15   | 27546             | ELEMENT SUPPORT (1)--5 Required            | 27546-000                     |
| 16   | 27593             | HEATING ELEMENT--1500W                     | 58120-000                     |
| 17   | 27550             | LIGHT SOCKET ASSEMBLY                      | 69296-000                     |
| 18   | 27554             | REFLECTOR                                  | 27554-206                     |
| 19   | 27559             | GUARD ASSEMBLY                             | 56704-000                     |
| 20   | 27562             | GUARD MOUNTING BRACKET (1)--2 Required     | 27562-038                     |
| 21   | 27561             | LENS                                       | 27561-000                     |
| 22   | 27558             | CEILING RING--Silver                       | 27558-014                     |
| 23   | 27560             | GUARD                                      | 0474A-000                     |

↑

**NOTE: Always order by current part number.**

**\*NOTE:** Ref. No. 4, RECEPTACLE/SOCKET/WIRE ASSEMBLY P/N 0477A-000, Replaces RECEPTACLE P/N 27509-000 and PLUG HOUSING P/N 27555-000.



**INSTRUCTIONS FOR P/N 0477A-000**

( ) Indicates Terminal Junction No.'s

