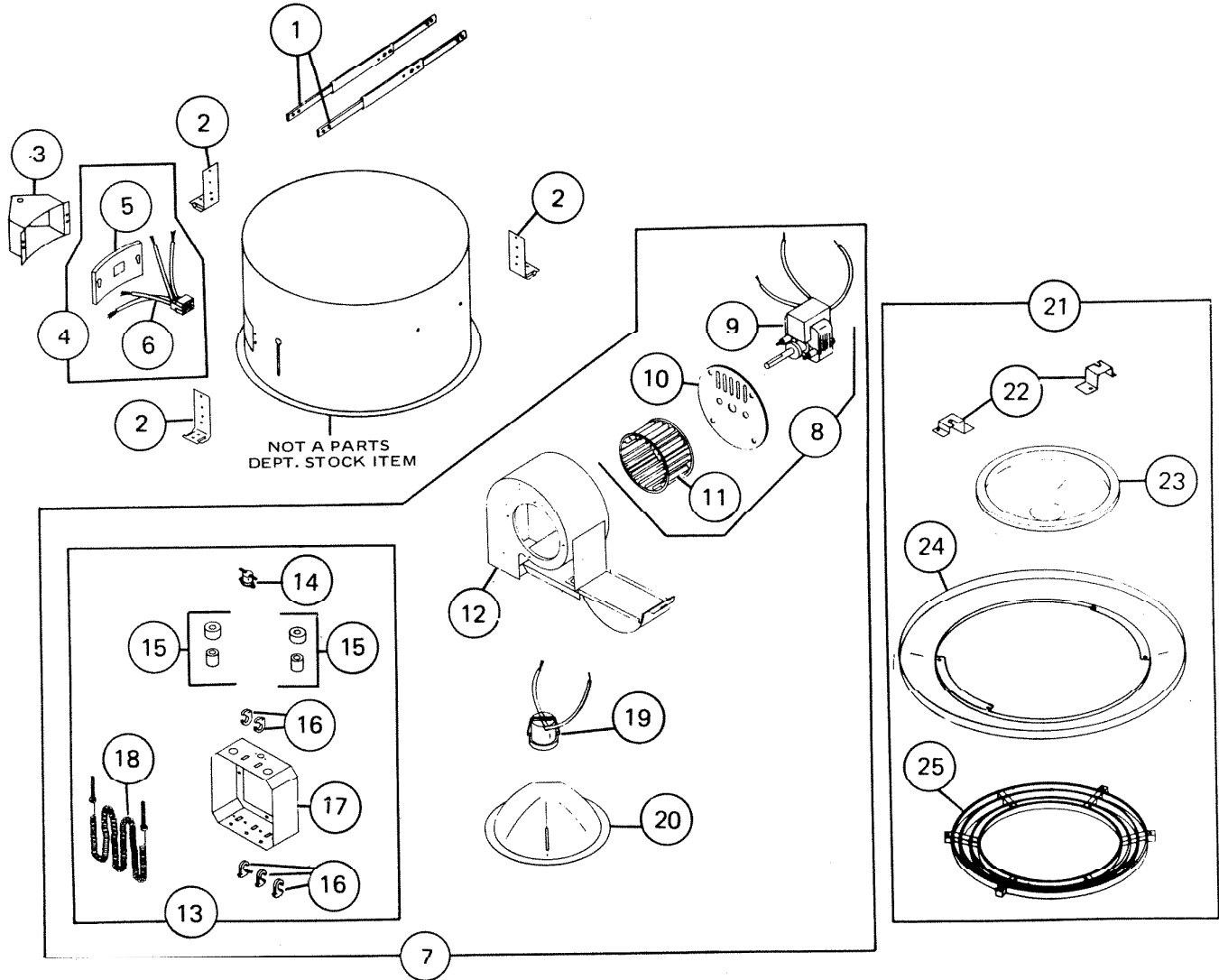


# PARTS LIST

| EFFECTIVE DATE | MODEL                  | PRODUCT GROUP |
|----------------|------------------------|---------------|
| FEBRUARY 1980  | 9013, 9013N<br>REVISED | HEATERS       |



| REF. | ORIGINAL PART NO. | * PART DESCRIPTION           | MODEL USED ON | CURRENT REPLACEMENT PART NO. |
|------|-------------------|------------------------------|---------------|------------------------------|
| 1    | 13306             | HANGER BAR SET               | 9013, 9013N   | 13306-000                    |
| 2    | 10949             | CEILING BRACKET – 3 REQUIRED | 9013, 9013N   | 10949-000                    |
| 3    | 11320             | OUTLET BOX                   | 9013, 9013N   | 11320-005                    |
| 4    | 64940             | OUTLET COVER BOX ASSEMBLY    | 9013, 9013N   | 64940-000                    |
|      |                   | (PLEASE SEE OTHER SIDE)      |               |                              |

**NuTone Division**

NOTE: Always order by current part number.

PL – 9013, 9013N

| REF. | ORIGINAL PART NO. | * PART DESCRIPTION                  | MODEL USED ON                                 | CURRENT REPLACEMENT PART NO. |           |
|------|-------------------|-------------------------------------|---|------------------------------|-----------|
| 5    | 27508             | OUTLET BOX COVER                    | 9013, 9013N                                   | 27508-005                    |           |
| 6    | 27510             | RECEPTACLE HOUSING – PIN ASSEMBLY   | 9013, 9013N                                   | 64942-000                    |           |
| 7    | 64951             | “B” UNIT ASSEMBLY                   | 9013, 9013N                                   | 1119A-000                    |           |
| 8    | 69352             | POWER UNIT                          | 9013, 9013N                                   | 69352-000                    |           |
| 9    | 64965             | MOTOR                               | Motor Kit: Contains Motor<br>And Blower Wheel | 9013                         | 69285-000 |
|      | 66582             |                                     | 9013N   | 66582-000                    |           |
| 10   | 63654             | MOTOR MOUNT PLATE ASSEMBLY          | 9013, 9013N                                   | 63654-000                    |           |
| 11   | 66142             | BLOWER WHEEL                        | 3 3/4" x 2 1/2"                               | 9013                         | 66142-000 |
|      | 66583             |                                     | 3 3/4" x 2"                                   | 9013N                        | 66583-000 |
| 12   | 64955             | BLOWER HOUSING ASSEMBLY             | 9013, 9013N                                   | 64955-005                    |           |
| 13   | 27544             | HEAT BOX ASSEMBLY                   | 9013, 9013N                                   | 27544-000                    |           |
| 14   | 27548             | THERMAL PROTECTOR                   | 9013, 9013N                                   | 27548-000                    |           |
| 15   | 15345             | INSULATOR BUSHING SET – 2 Required  | 9013, 9013N                                   | 69314-000                    |           |
|      | 15346             |                                     |   |                              |           |
| 16   | 27546             | ELEMENT SUPPORT – 5 REQUIRED        | 9013, 9013N                                   | 27546-000                    |           |
| 17   | 27547             | HEAT BOX                            | 9013, 9013N                                   | 27547-000                    |           |
| 18   | 27593             | HEATING ELEMENT – 1500 WATT         | 9013, 9013N                                   | 27593-000                    |           |
| 19   | 64966             | LIGHT SOCKET ASSEMBLY               | 9013, 9013N                                   | 64966-000                    |           |
| 20   | 27554             | REFLECTOR                           | 9013, 9013N                                   | 27554-014                    |           |
| 21   | 27559             | GUARD ASSEMBLY                      | 9013, 9013N                                   | 27559-000                    |           |
| 22   | 27562             | GUARD MOUNTING BRACKET – 2 Required | 9013, 9013N                                   | 27562-038                    |           |
| 23   | 27561             | LENS                                | 9013, 9013N                                   | 27561-000                    |           |
| 24   | 27558             | CEILING RING                        | 9013, 9013N                                   | 27558-014                    |           |
| 25   | 27560             | GUARD                               | 9013, 9013N                                   | 27560-000                    |           |
|      |                   |                                     |   |                              |           |