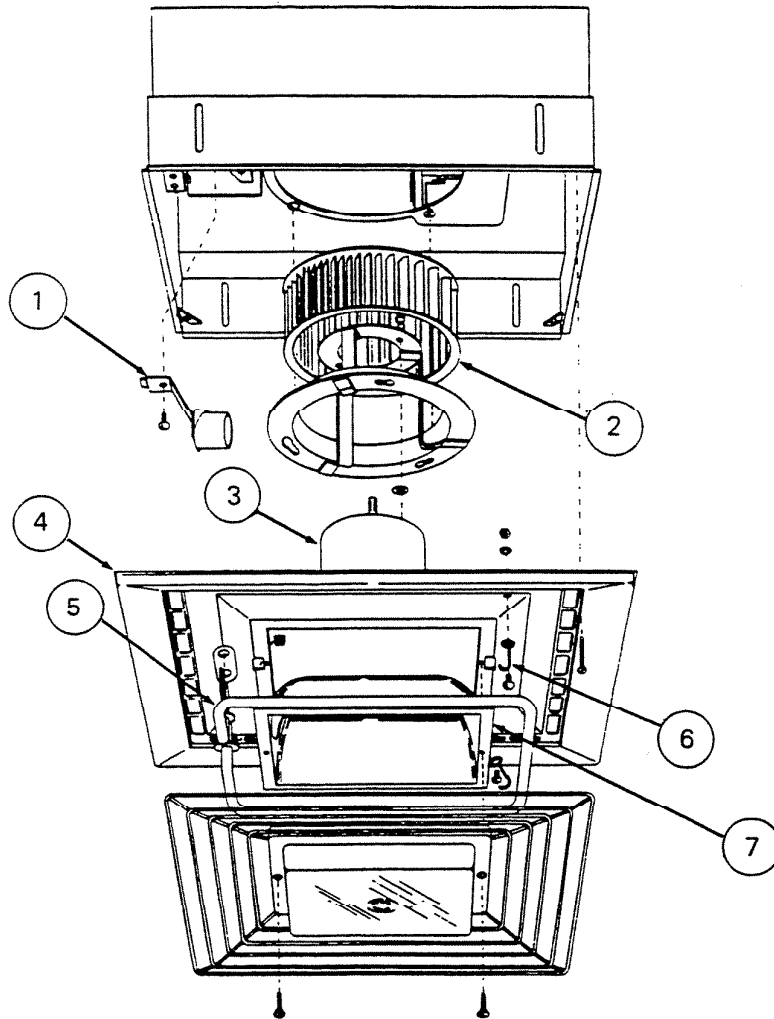


PARTS LIST

EFFECTIVE DATE	MODEL	PRODUCT GROUP
SEPT. 1987	9095 REVISED	HEATER



REF.	ORIGINAL PART NO	* PART DESCRIPTION	MODEL USED ON	CURRENT REPLACEMENT PART NO
1	20810	LAMP SOCKET ASSEMBLY	9095	52328-000
2	16814	BLOWER WHEEL	9095	16296-000
3	16302	MOTOR (1/4" SHAFT - 1500 RPM-CCW)	9095	Void-Not Available
4	20817	GRILLE ASSEMBLY (No Element)	9095	20817-000
5	20780	HEATING ELEMENT (1500 WATTS)	9095	20840-000
6	20781	ELEMENT HOOK SET (2)	9095	18049-000
7	20784	REFLECTOR (FOR LIGHT)	9095	20784-000
*	18280	THERMAL PROTECTOR (Not Shown)	9095	19874-000

NuTone

NOTE Always order by current part number