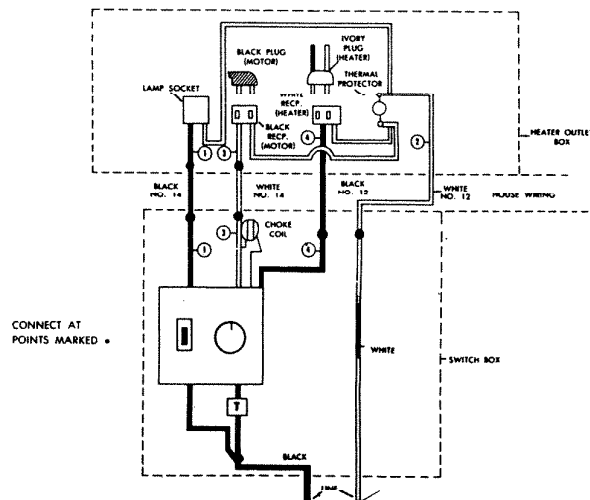
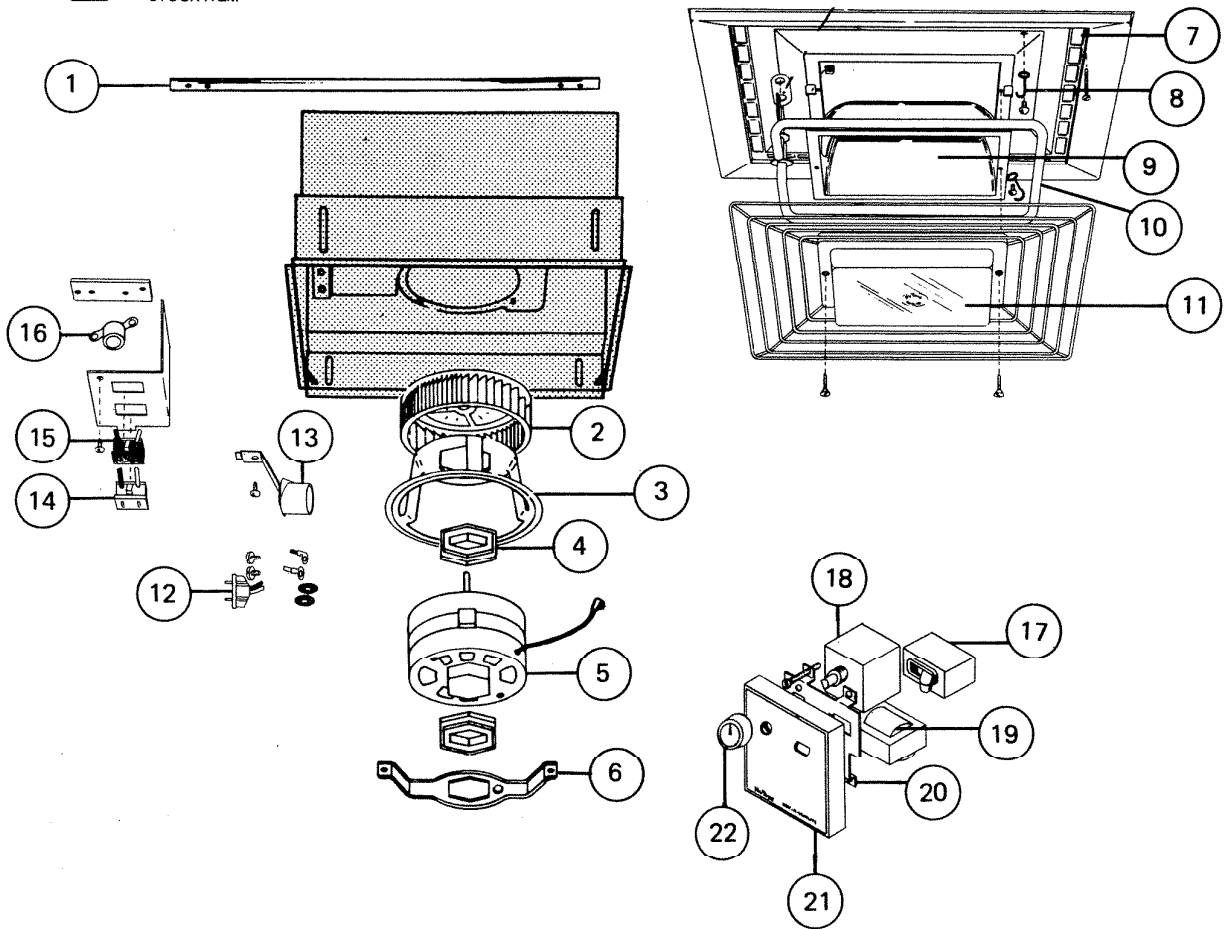


# PARTS LIST

EFFECTIVE DATE	MODEL	PRODUCT GROUP
JAN 1990	9096N REVISED	HEATER

NOT A PARTS DEPT.  
STOCK ITEM



REF.	ORIGINAL PART NO.	*PART DESCRIPTION	CURRENT REPLACEMENT PART NO.
1	13306	HANGER ROD ASSEMBLY	13306-000
2	16296	BLOWER WHEEL	16296-000
3	22874	VENTURI RING	VOID NOT AVAILABLE
4	19360	MOTOR MOUNT HEX	19360-000
5	22809	MOTOR	23388-SER
6	22811	MOTOR CLAMP	1176A-000
7	20818	GRILLE	20818-000
8	18049	ELEMENT HOOK	18049-000
9	20784	REFLECTOR	20784-000
10	20840	HEATING ELEMENT	20840-000
11	20790	LENS ASSEMBLY	VOID NOT AVAILABLE
12	18228	WHITE PLUG ASSEMBLY	18228-000
13	20810	LAMP SOCKET AND BRACKET ASSEMBLY	52328-000
14	20809	BLACK RECEPTACLE ASSEMBLY—Fan	20809-000
15	20808	WHITE RECEPTACLE ASSEMBLY—Heater	20808-000
16	19865	THERMAL PROTECTOR	19865-000
17	21432	LIGHT SWITCH	21432-000
18	21396	ROTARY SWITCH	21396-000
19	21397	CHOKE COIL ASSEMBLY	21397-000
20	21383	SWITCH AND CHOKE BRACKET ASSEMBLY	VOID NOT AVAILABLE
21	21425	SWITCH ESCUTCHEON	21425-000
22	21404	KNOB	9052A-000