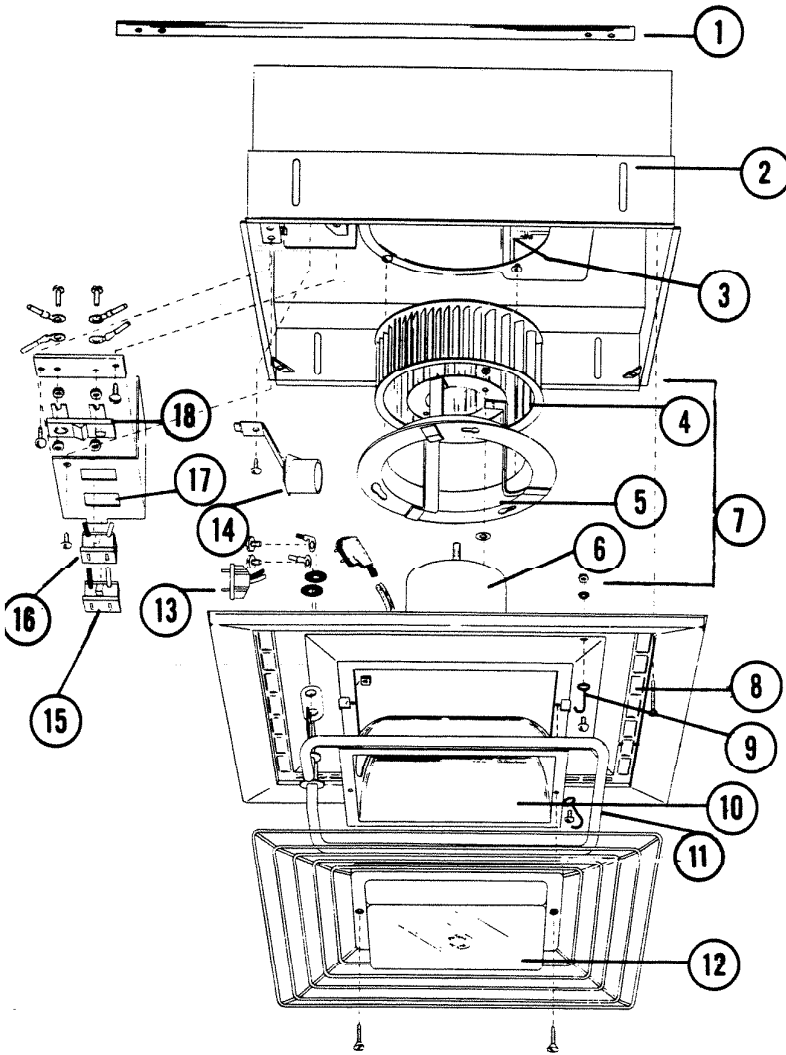
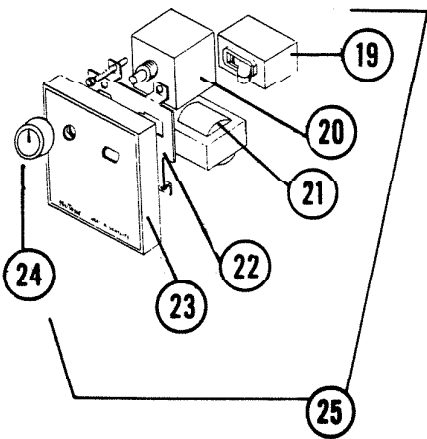


# MODEL 9096 PARTS LIST



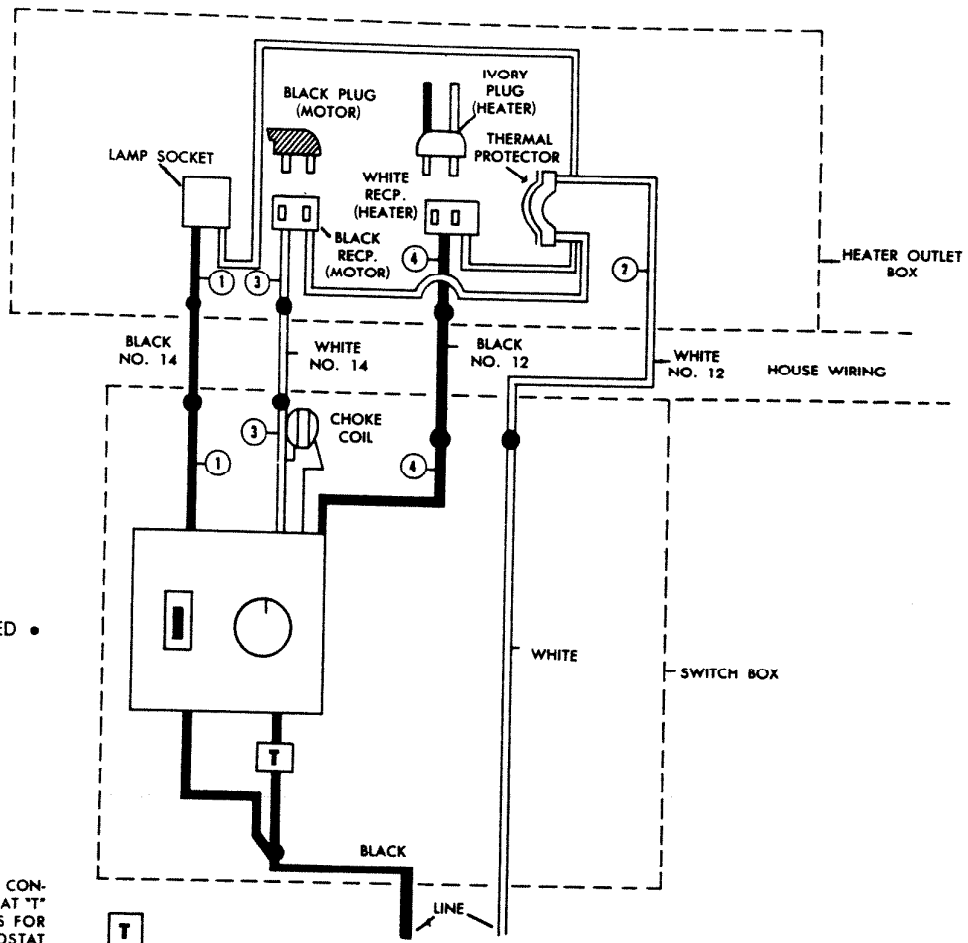
REF. NO.	PART NO.	DESCRIPTION
1	13306	Hanger Rod Assy.
2	21420	"A" Unit Assy. less REF. No. 4,5,6.
3	11394	Louver Assy.
4	16296	Blower Wheel
5	18457	Venturi Ring Assy. (Motor Bracket)
6	26761	Motor
7	21421	Power Unit (Motor, Bracket & Blower Wheel). Ref. No.'s 4, 5, 6
8	20818	Grille
9	20781	Element Hook Set (2) W/Screws
10	20784	Reflector
11	20780	Heating Element
12	20790	Lens Assy.
13	18228	White Plug Assy.
14	69325	Lamp Socket & Bracket Assy.
15	20809	Black Receptacle assy.
16	20808	White Receptacle assy.
17	20806	Outlet Box Cover assy.
18	19865	Thermo Protector
19	21432	Switch, Light
20	21396	Rotary Switch
21	21397	Choke Coil Assy.
22	21429	Switch Choke Bracket
23	21425	Switch Escutcheon
24	21404	Knob
25	21424 20816	Switch Assy. Complete "B" Unit includes Ref. No.'s 8, 9, 10, 11, 12.



**NuTone**

Madison & Red Bank Roads - Cincinnati, Ohio 45227 - U.S.A.

**STANDARD WIRING DIAGRAM FOR MODEL 9096**  
 (USING SWITCHES/PLATE ASSEMBLY FURNISHED)



CONNECT AT POINTS MARKED •

FOR THERMOSTAT CONTROL, CONNECT LINE TYPE THERMOSTAT AT "T" FOLLOWING INSTRUCTIONS FOR INSTALLATION OF THERMOSTAT ATTACHED TO SWITCH ASSEMBLY.

TO PANELBOARD 120V  
 USE 15 AMP FUSE OR CIRCUIT BREAKER