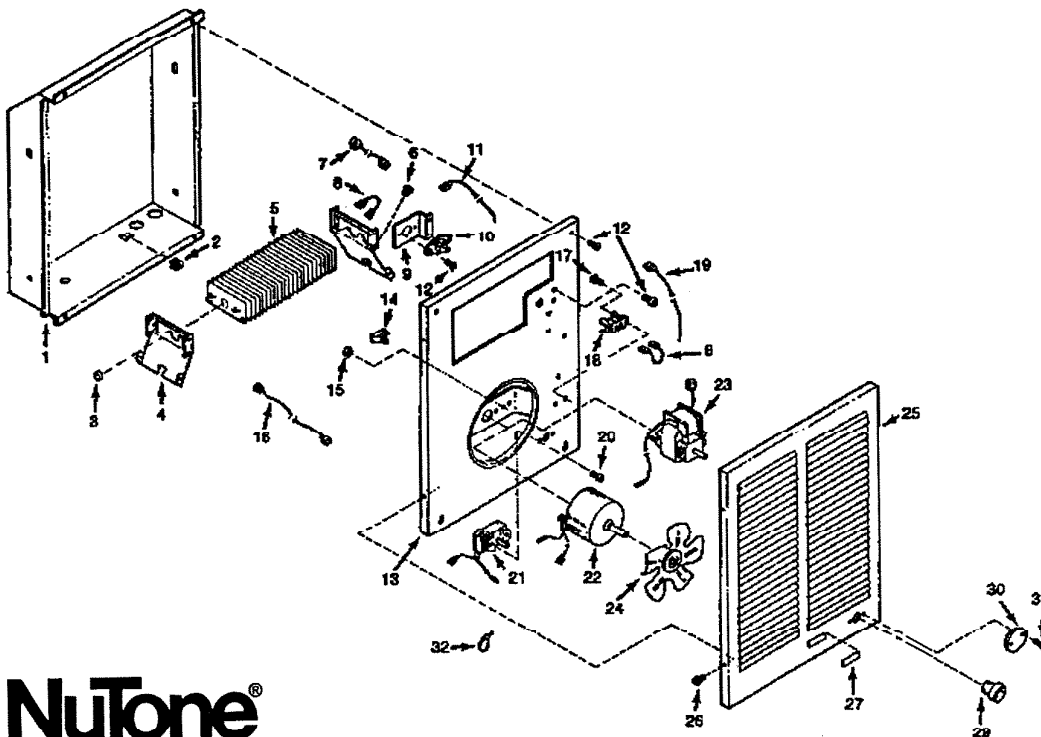


9192NT 9194NT 9198NT

PARTS LIST

REF.	PART NUMBER	PART DESCRIPTION
1	97009334	Housing
2	99390015	Grounding Clip
3	99030190	Fan Delay
4	98006989	Element Bracket (2 Required)
5	992701155	Heating Element (Model 9192NT)
	99270723	Heating Element (Model 9194NT)
	99270724	Heating Element (Model 9198NT)
6	99400061	Bushing
7	97008688	Black Wire Assembly (29-1/2")
8	97008690	Black Jumper Wire (2 Required)
9	*	Thermal Overload Bracket
10	*	Thermal Overload
11	97008692	Red Power Wire
12	99150491	Screw, 8-18 x 3/8 Ph. Pan Head (14 Required)
13	97008683	Partition Plate Assembly
14	93270619	Wire Clamp (3 Required)
15	99260425	Nut, 8-32 Hex Keps (2 Required)
16	97008687	Black Wire Assembly (12")
17	99150531	Screw, 8-18 x 5/8 Ph. Pan Head (2 Required)
18	99270720	Terminal Block
19	97008691	Black Power Wire
20	99160350	Screw, 6-32 x 1/4 Ph. Pan Head (2 Required)
21	99030192	Thermostat
22	99080251	Motor (Model 9198NT)
23	99080249	Motor (Models 9192NT & 9194NT)
24	99020255	Fan Blade
25	97013822	Grille
26	99150478	Screw, 8-18 x 3/8 PH Truss Hd. (4 Required)
27	99091017	Grille Logo
29	99360136	Knob
30	99110687	Security Cover
31	93150462	Screw, 8-18 x 5/8 Oval Head (2 Required)
32	93270493	Cable Tie
*	97013945	Assembly, Thermal Overload (Includes Key Nos. 9, 10, & 12 (2))



NuTone®