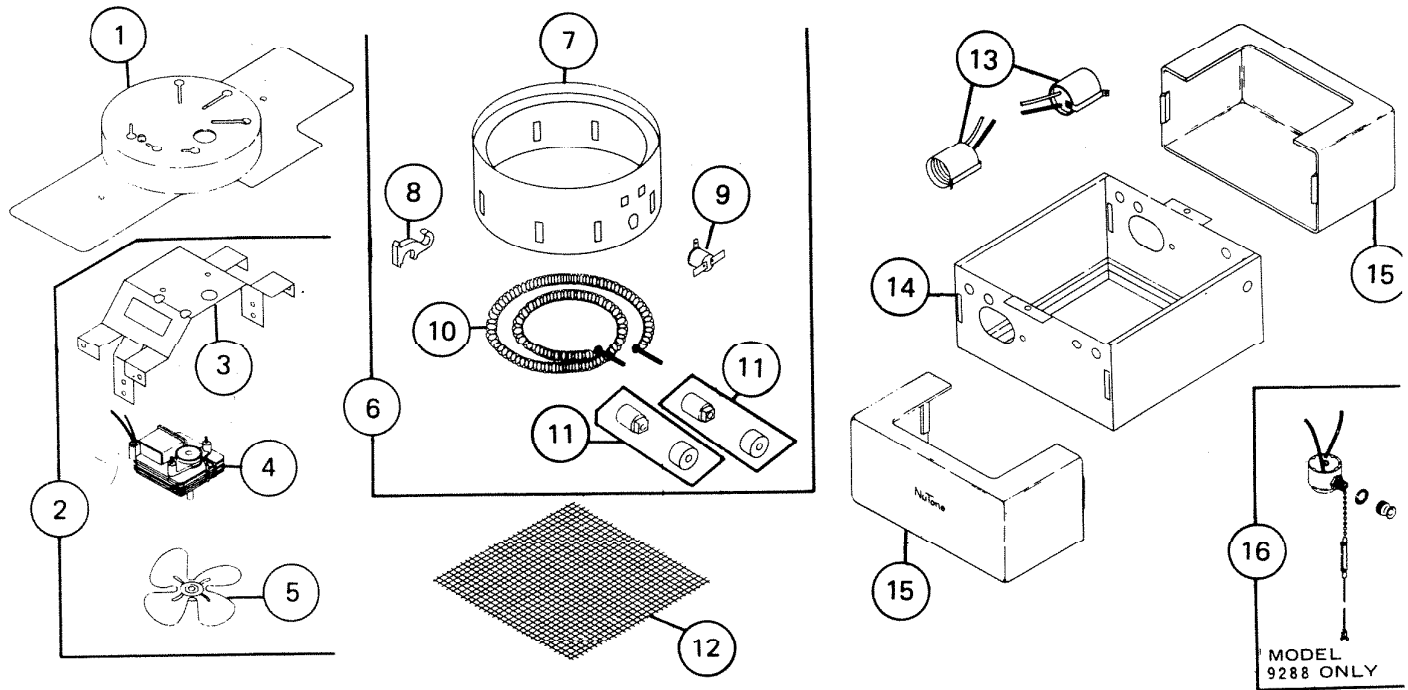


PARTS LIST

EFFECTIVE DATE	MODEL	PRODUCT GROUP
FEBRUARY 1980	9288 NEW 9289 REVISED	HEATERS



REF.	ORIGINAL PART NO.	* PART DESCRIPTION	MODEL USED ON	CURRENT REPLACEMENT PART NO.
1	68697	COVER	9288	68697-000
	68069		9289	68069-206
2	1115A	FAN "B" UNIT	9288 9289	1115A-000
3	68064	MOUNTING PLATE	9288 9289	68064-000
4	68065	MOTOR	9288 9289	68065-000
5	17728	FAN BLADE ASSEMBLY	9288 9289	17728-000
6	69283	HEATER "B" UNIT	9288	69283-000
	68066		9289	69282-000
(PLEASE SEE OTHER SIDE)				

NuTone Division

NOTE: Always order by current part number.

REF.	ORIGINAL PART NO.	* PART DESCRIPTION	MODEL USED ON	CURRENT REPLACEMENT PART NO.	
7	68067	SHROUD	9288 9289	68067-000	
8	20724	ELEMENT HOOK – 8 REQUIRED	9288 9289	20724-000	
9	66799	THERMAL PROTECTOR	9288 9289	66799-000	
10	23122	HEATING ELEMENT	660 WATT	9288	23122-000
	23120		1250 WATT	9289	23120-000
11	69314	INSULATOR BUSHING SET – 2 REQUIRED	9288 9289	69314-000	
12	68071	GRILLE	9288 9289	68071-014	
13	68068	LIGHT SOCKET – 2 REQUIRED	9288 9289	68068-000	
14	68070	HEATER BASE	9288 9289	68070-206	
15	68072	LENS – 2 REQUIRED	9288 9289	68072-000	
16	68698	SWITCH ASSEMBLY	9288	68698-000	