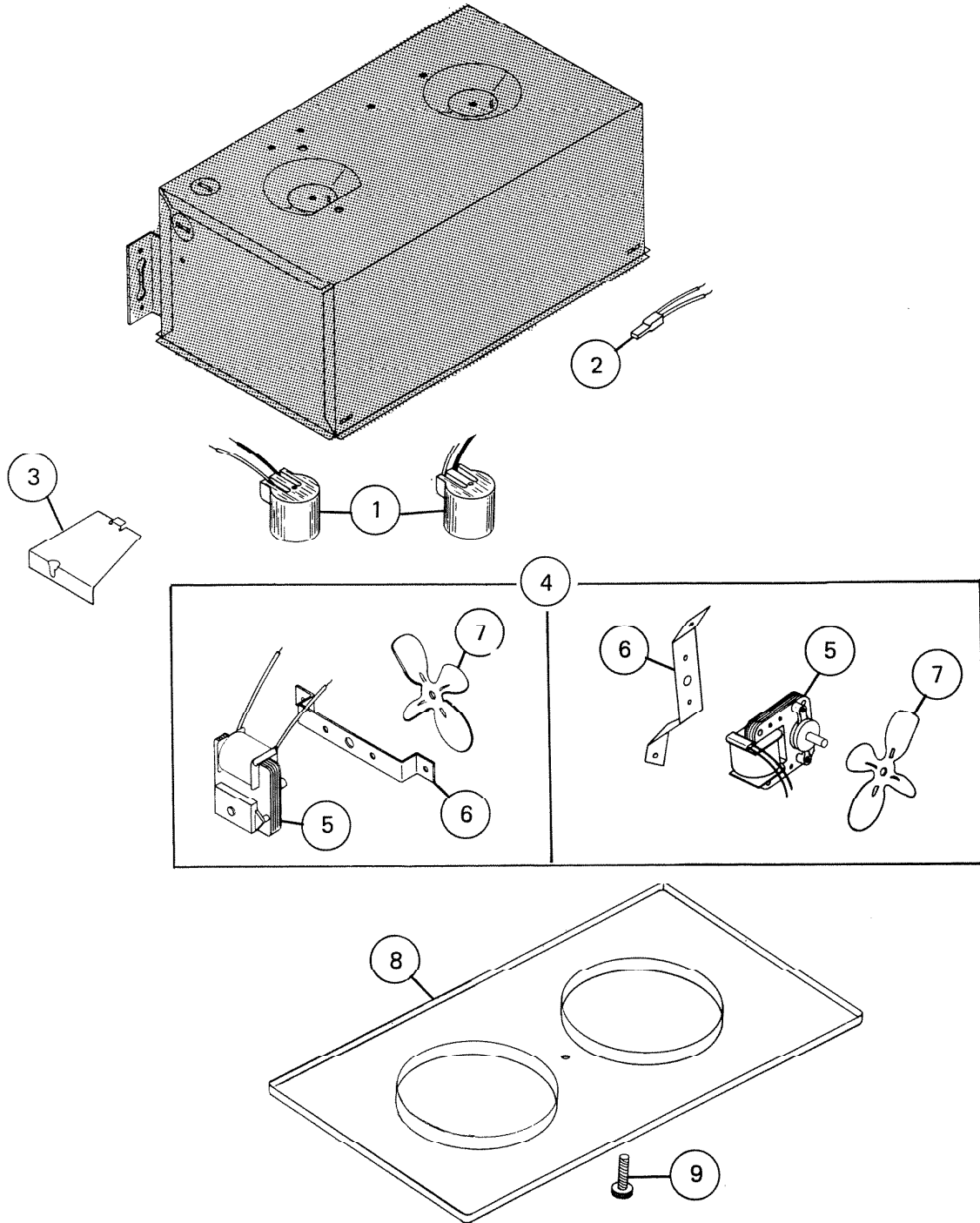


# PARTS LIST

EFFECTIVE DATE	MODEL	PRODUCT GROUP
JANUARY 1985	9420 REVISED	HEATER



NuTone

(PLEASE SEE OTHER SIDE)

 NOT A PARTS DEPT. STOCK ITEM

REF	ORIGINAL PART NO.	* PART DESCRIPTION		MODEL USED ON	CURRENT REPLACEMENT PART NO.
1	66202 66207	LAMP SOCKET		9420	66202-000
2	23295	THERMAL PROTECTOR		9420	23295-000
3	23301	OUTLET BOX COVER		9420	23301-000
4	23296	POWER UNIT (COOLING)	PRODUCTION 1969-1984	9420	23296-000
	53429		PRODUCTION 1984-PRESENT		53429-000
5	23298	MOTOR	PRODUCTION 1969-1984	9420	23298-000
	57288		PRODUCTION 1984-PRESENT		57288-000
6	23297	MOTOR BRACKET	PRODUCTION 1969-1984	33590	<del>23297-000</del>
	53430		PRODUCTION 1984-PRESENT	33591	53430-000
7	23299	FAN BLADE		9420	23299-000
8	21983	GRILLE		9420	21983-008
9	21988	GRILLE SCREW		9420	21988-001
<p>MODEL 9420 - 2 SWITCH CONNECTION*</p> <p>FIGURE 3 *FOR SINGLE SWITCH CONTROL - Connect house power black wire to 2 black wires in heater junction box (No. 2 and No. 3 wires). Connect house white wire to heater white wire (No. 1 wire).</p>					<p>NOTE: Always order by current part number.</p>