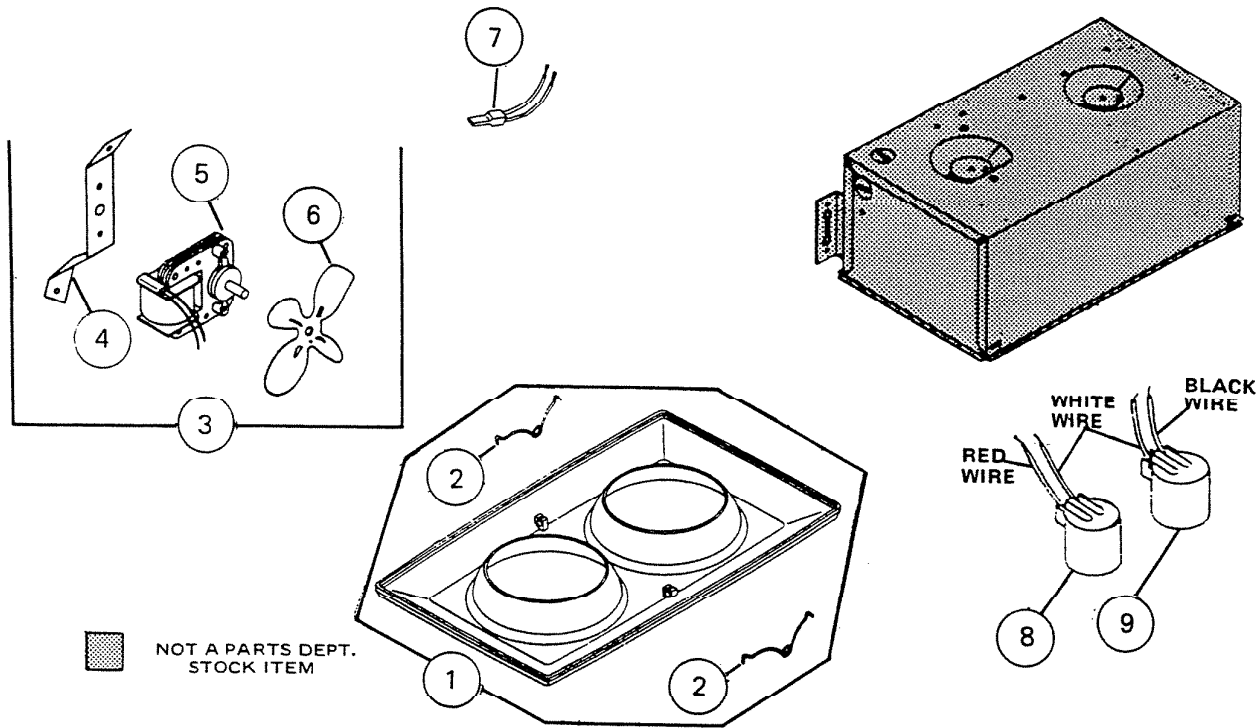



PARTS LIST

EFFECTIVE DATE	MODEL	PRODUCT GROUP
SEPT. 1987	9422 NEW	HEATER



REF.	ORIGINAL PART NO	* PART DESCRIPTION	MODEL USED ON	CURRENT REPLACEMENT PART NO.
1	K3187	GRILLE W/SPRINGS	9422	K3213 000
2	K3052	SPRING (1) - 2 REQUIRED	9422	K3052-000
3	K3212	POWER UNIT - COOLING	9422	K3212-000
4	K3203	MOTOR BRACKET	9422	K3203-000
5	K3204	MOTOR	9422	K3204-000
6	K3205	FAN BLADE W/RETAINER RING	9422	K3205-000
7	K3201	THERMAL PROTECTOR	9422	K3201-000
8	K3194	LAMP SOCKET	9422	K3194-000
9	K3036	LAMP SOCKET	9422	K3036-000
				 NOTE: Always order by current part number.