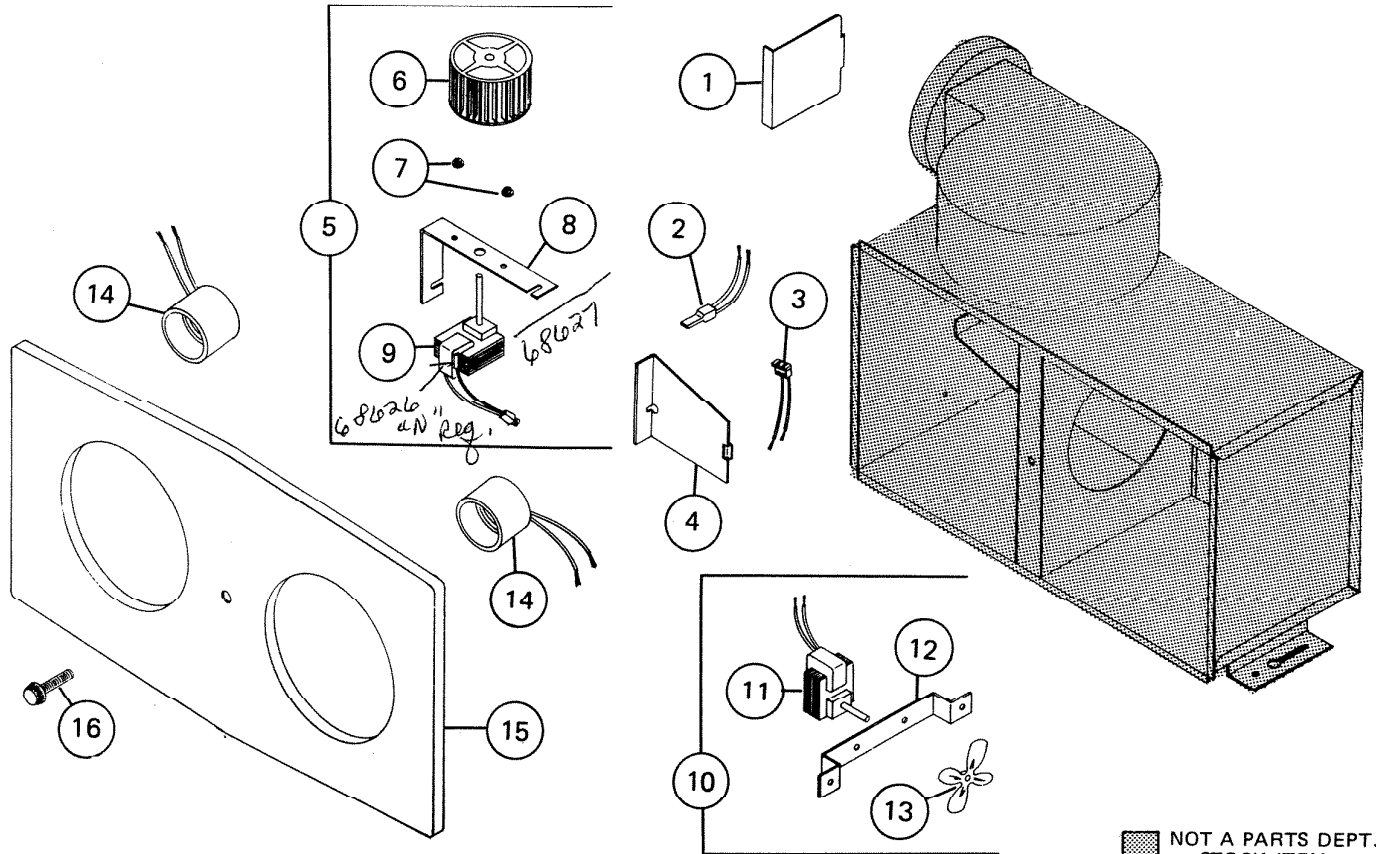


PARTS LIST

EFFECTIVE DATE	MODEL	PRODUCT GROUP
MARCH 1984	9425, 9425N, 9425H, 9425F REVISED	HEATERS



NOT A PARTS DEPT. STOCK ITEM

REF.	ORIGINAL PART NO.	* PART DESCRIPTION	MODEL USED ON	CURRENT REPLACEMENT PART NO.
1	11394	LOUVER ASSEMBLY	9425, 9425N, 9425H, 9425F	11394-000
2	23295	THERMAL PROTECTOR	9425, 9425N, 9425H, 9425F	23295-000
3	10034	RECEPTACLE	9425, 9425N, 9425H, 9425F	10034-000
4	23301	OUTLET BOX COVER	9425, 9425N, 9425H, 9425F	23301-005
5	23322 64616 65468 68626	POWER UNIT ASSEMBLY - VENT	9425 9425N 9425H 9425F	68626-000
(PLEASE SEE OTHER SIDE)				

NuTone

PRINTED IN U.S.A.

NOTE: Always order by current part number.

REF.	ORIGINAL PART NO.	* PART DESCRIPTION	MODEL USED ON	CURRENT REPLACEMENT PART NO.
6	22892	BLOWER WHEEL	9425	22892-000
	64623		9425N	VOID NOT AVAILABLE
	65467		9425H 9425F	65467-000
7	63674	GROMMET SET - 2 GROMMETS 2 EYELETS	9425, 9425N, 9425H, 9425F	69289-000
8	64622	MOTOR MOUNTING BRACKET	9425, 9425N, 9425H, 9425F	64622-000
9	23323	MOTOR - VENT	9425	68626-000
	64619		9425N	
	67228		9425H	68627-000
	68627		9425F	
10	23296	POWER UNIT - COOLING	9425, 9425N, 9425H, 9425F	23296-000
11	23298	MOTOR - COOLING	9425, 9425N, 9425H, 9425F	23298-000
12	23297	MOTOR BRACKET	9425, 9425N, 9425H, 9425F	23297-000
13	23299	FAN BLADE ASSEMBLY	9425, 9425N, 9425H, 9425F	23299-000
14	66207 66202	LAMP SOCKET	9425, 9425N, 9425H, 9425F	66202-000
15	21983	GRILLE	9425, 9425N, 9425H, 9425F	21983-008
16	21988	GRILLE SCREW	9425, 9425N, 9425H, 9425F	21988-001
		* PLEASE NOTE: COMPLETE POWER UNIT # 68626 MAY BE SUBSTITUTED FOR REF. #6 BLOWER WHEEL PART # 64623.		