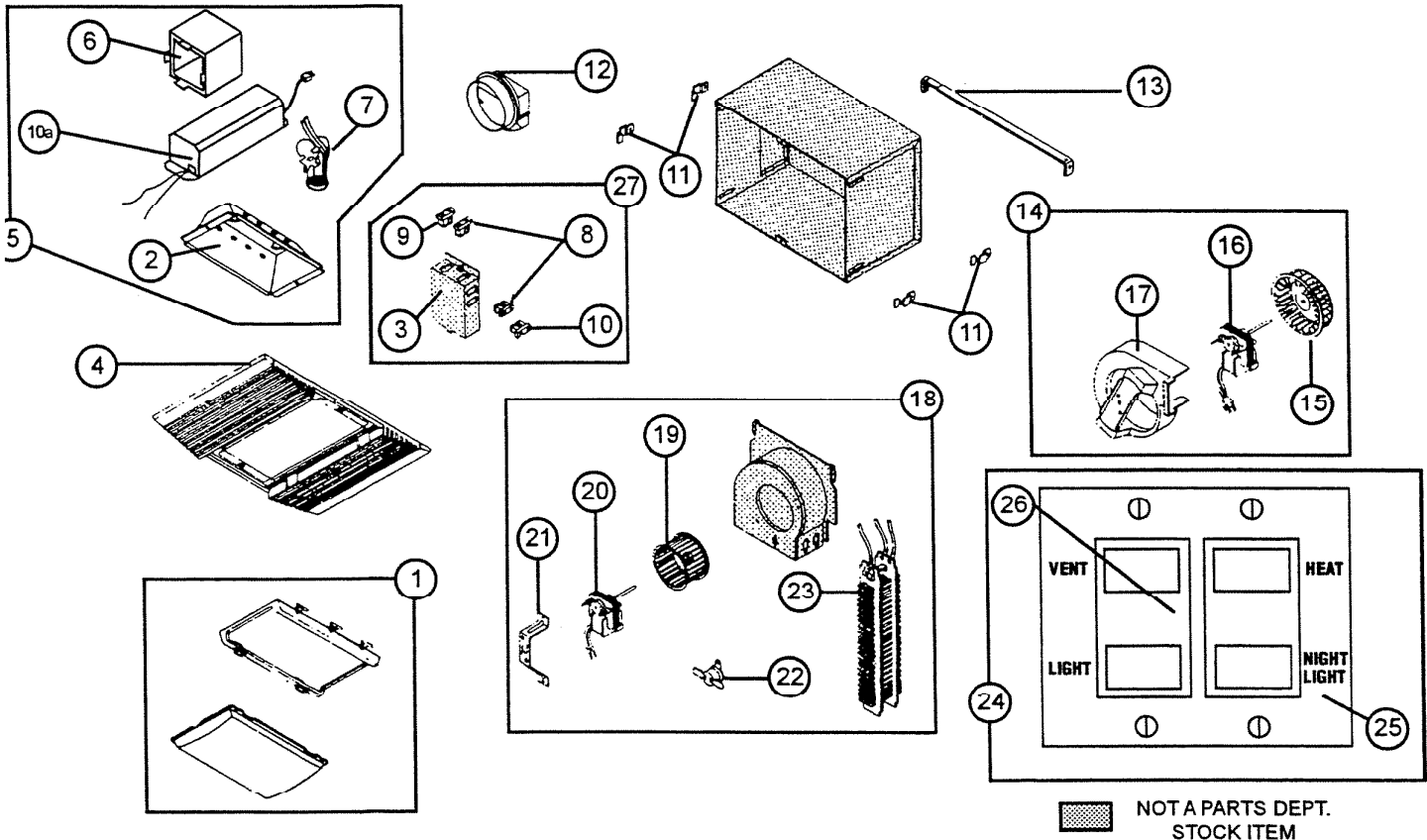


PARTS LIST

EFFECTIVE DATE	MODEL NUMBER	PRODUCT GROUP
JULY 1999	9965F	HEATER



REF. NO.	ORIGINAL PART NO.	*PART DESCRIPTION	REPLACEMENT PART NO.
1	89340	BEZEL/LENS ASSEMBLY	89340-000
2	89375	REFLECTOR	89375-000
3	89304	JUNCTION BOX COVER	89304-000
4	89339	GRILLE ASSEMBLY	89339-000
5	89373	REFLECTOR ASSEMBLY	89373-000
6	85978	SOCKET-FLUORESCENT	85978-000
7	89377	SOCKET-SMALL	89377-000
8	66204	RECEPTACLE-BLACK	66204-000
9	57976	RECEPTACLE-BLUE WIRE	57976-000
10	56721	RECEPTACLE-WHITE	56721-000
10a	89378	BALLAST	89378-000

(PLEASE SEE OTHER SIDE)

NOTE: Always order by current part number.

REF. NO.	ORIGINAL PART NO.	*PART DESCRIPTION	REPLACEMENT PART NO.
11	57117	MOUNTING BRACKET (1)-4 Required	57117-000
12	30652	DUCT ADAPTOR	30652-000
13	85585	HANGER ROD ASSEMBLY	85585-000
14	86693	"B" UNIT ASSEMBLY-VENT	86693-000
15	68739	BLOWER WHEEL	68739-000
16	89321	MOTOR (VENT)	89321-000
17	2908A	SCROLL (PLASTIC)	2908A-000
18	89306	"B" UNIT ASSEMBLY (HEAT)	89306-000
19	66583	BLOWER WHEEL (HEAT)	66583-000
20	89315	MOTOR (HEAT)	89315-000
21	23255	MOTOR BRACKET	23255-000
22	1179A	THERMAL PROTECTOR	1179A-000
23	89312	HEATING ELEMENT	89312-000
24	85918	SWITCH ASSEMBLY COMPLETE - HARDWARE BAG ASSEMBLY	85918-000
25	85920	SWITCH PLATE	85920-000
26	85921	SWITCH DOUBLE - 15 AMP (2 REQ.)	85921-000
*	89323	GRILLE SCREW SET (2) NOT SHOWN	89323-015

↑

NOTE: Always order by current part number.

