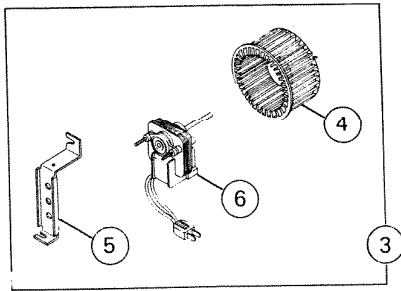


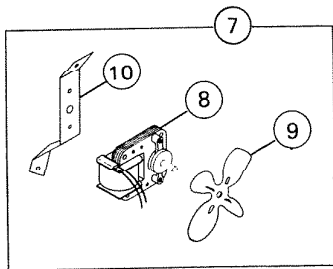
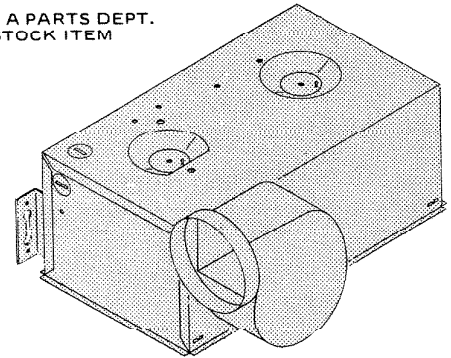
# PARTS LIST

EFFECTIVE DATE	MODEL	PRODUCT GROUP
MAY 1989	9427 9427N VH9427 NEW	HEATER

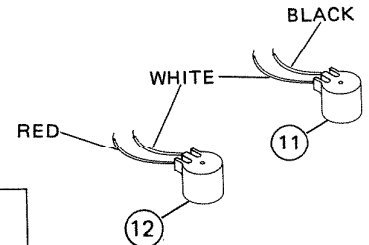
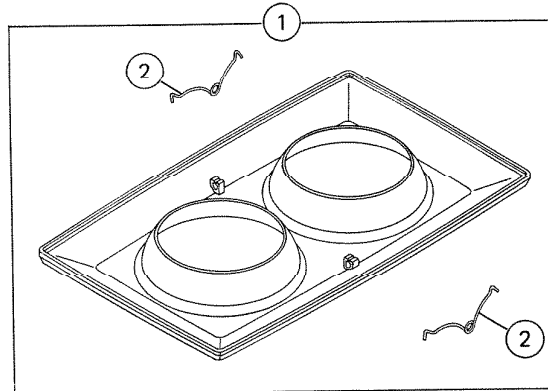


EXHAUST

NOT A PARTS DEPT. STOCK ITEM



HEAT (COOLING)



REF.	ORIGINAL PART NO.	PART DESCRIPTION	CURRENT REPLACEMENT PART NO.
1	K3213	GRILLE ASSY./SPRINGS	K3213-000
2	K3052	SPRING (1)—2 REQUIRED	K3052-000
3	K3030	POWER UNIT ASSY.—EXHAUST	K3030-000
4	K3035	BLOWER WHEEL W/RETAINING RING	K3035-000
5	K3031	MOTOR BRACKET	K3031-000
6	K3032	MOTOR	K3032-000
7	K3212	POWER UNIT—HEAT (COOLING)	K3212-000
8	K3204	MOTOR	K3204-000
9	K3205	FAN BLADE	K3205-000
10	K3203	MOTOR BRACKET	K3203-000
11	K3194	LAMP SOCKET	K3194-000
12	K3036	LAMP SOCKET	K3036-000
13	K3160	RECEPTACLE	K3160-000
14	K3201	THERMAL PROTECTOR	K3201-000

NOTE: Always order by current part number.