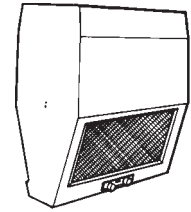




MODEL 329H CONTROL PACK FOR EXTERIOR BLOWERS

For use with Models 331H and 332H Exterior Blowers



READ AND SAVE THESE INSTRUCTIONS

WARNING

TO REDUCE THE RISK OF FIRE, ELECTRICAL SHOCK, OR INJURY TO PERSONS, OBSERVE THE FOLLOWING:

1. Use this unit only in the manner intended by the manufacturer. If you have questions, contact the manufacturer at the address or telephone number listed in the warranty.
2. Before servicing or cleaning unit, switch power off at service panel and lock the service disconnecting means to prevent power from being switched on accidentally. When the service disconnecting means cannot be locked, securely fasten a prominent warning device, such as a tag, to the service panel.
3. Installation work and electrical wiring must be done by a qualified person(s) in accordance with all applicable codes and standards, including fire-rated construction codes and standards.
4. Sufficient air is needed for proper combustion and exhausting of gases through the flue (chimney) of fuel burning equipment to prevent backdrafting. Follow the heating equipment manufacturer's guideline and safety standards such as those published by the National Fire Protection Association (NFPA), and the American Society for Heating, Refrigeration and Air Conditioning Engineers (ASHRAE), and the local code authorities.
5. When cutting or drilling into wall or ceiling, do not damage electrical wiring and other hidden utilities.
6. Ducted fans must always be vented to the outdoors.
7. Do not use this unit with any solid-state speed control device.
8. To reduce the risk of fire, use only metal ductwork.
9. This unit must be grounded.

TO REDUCE THE RISK OF A RANGE TOP GREASE FIRE:

1. Keep fan, filters and grease laden surfaces clean.
2. Always turn hood ON when cooking at high heat.
3. Use high range settings on range only when necessary. Heat oil slowly on low to medium setting.
4. Don't leave range unattended when cooking.
5. Always use cookware and utensils appropriate for the type and amount of food being prepared.

WARRANTY

ONE YEAR LIMITED WARRANTY

Broan warrants to the original consumer purchaser of its products that such products will be free from defects in materials or workmanship for a period of one year from the date of original purchase. THERE ARE NO OTHER WARRANTIES, EXPRESS OR IMPLIED, INCLUDING, BUT NOT LIMITED TO, IMPLIED WARRANTIES OF MERCHANTABILITY OR FITNESS FOR A PARTICULAR PURPOSE.

During this one-year period, Broan will, at its option, repair or replace, without charge, any product or part which is found to be defective under normal use and service. THIS WARRANTY DOES NOT EXTEND TO FLUORESCENT LAMP STARTERS AND TUBES. This warranty does not cover (a) normal maintenance and service or (b) any products or parts which have been subject to misuse, negligence, accident, improper maintenance or repair (other than by Broan), faulty installation or installation contrary to recommended installation instructions.

The duration of any implied warranty is limited to the one-year period as specified for the express warranty. Some states do not allow limitation on how long an implied warranty lasts, so the above limitation may not apply to you.

BROAN'S OBLIGATION TO REPAIR OR REPLACE, AT BROAN'S OPTION, SHALL BE THE PURCHASER'S SOLE AND EXCLUSIVE REMEDY UNDER THIS WARRANTY. BROAN SHALL NOT BE LIABLE FOR INCIDENTAL, CONSEQUENTIAL OR SPECIAL DAMAGES ARISING OUT OF OR IN CONNECTION WITH PRODUCT USE OR PERFORMANCE.

Some states do not allow the exclusion or limitation of incidental or consequential damages, so the above limitation or exclusion may not apply to you.

This warranty gives you specific legal rights, and you may also have other rights, which vary from state to state. This warranty supersedes all prior warranties.

To qualify for warranty service, you must (a) notify Broan at the address stated below or telephone: 1-800-637-1453, (b) give the model number and part identification and (c) describe the nature of any defect in the product or part. At the time of requesting warranty service, you must present evidence of the original purchase date.

Broan-NuTone LLC, 926 West State Street, Hartford, WI 53027

NuTone, Inc., 4820 Red Bank Road, Cincinnati, OH 45227 (1-800-543-8687)

WARNING

TO REDUCE THE RISK OF INJURY TO PERSONS IN THE EVENT OF A RANGE TOP GREASE FIRE, OBSERVE THE FOLLOWING:*

1. SMOTHER FLAMES with a close-fitting lid, cookie sheet, or metal tray, then turn off the burner. BE CAREFUL TO PREVENT BURNS. If the flames do not go out immediately, EVACUATE AND CALL THE FIRE DEPARTMENT.
2. NEVER PICK UP A FLAMING PAN - You may be burned.
3. DO NOT USE WATER, including wet dishcloths or towels - violent steam explosion will result.
4. Use an extinguisher ONLY if:
 - A. You know you have a Class ABC extinguisher and you already know how to operate it.
 - B. The fire is small and contained in the area where it started.
 - C. The fire department is being called.
 - D. You can fight the fire with your back to an exit.

* Based on "Kitchen Fire Safety Tips" published by NFPA.

CAUTION

1. For general ventilating use only. Do not use to exhaust hazardous or explosive materials and vapors.
2. To avoid motor bearing damage and noisy and/or unbalanced impellers, keep drywall spray, construction dust, etc. off power unit.
3. Your hood motor has a thermal overload which will automatically shut off the motor if it becomes overheated. The motor will restart when it cools down. If the motor continues to shut off and restart, have the hood serviced.
4. For best capture of cooking impurities, your range hood should be mounted 18-24" above the cooking surface.
5. Please read specification label on product for further information and requirements.

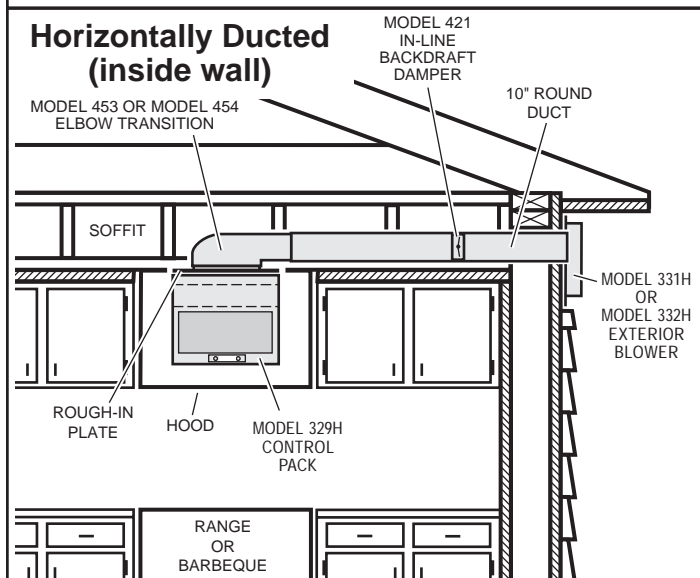
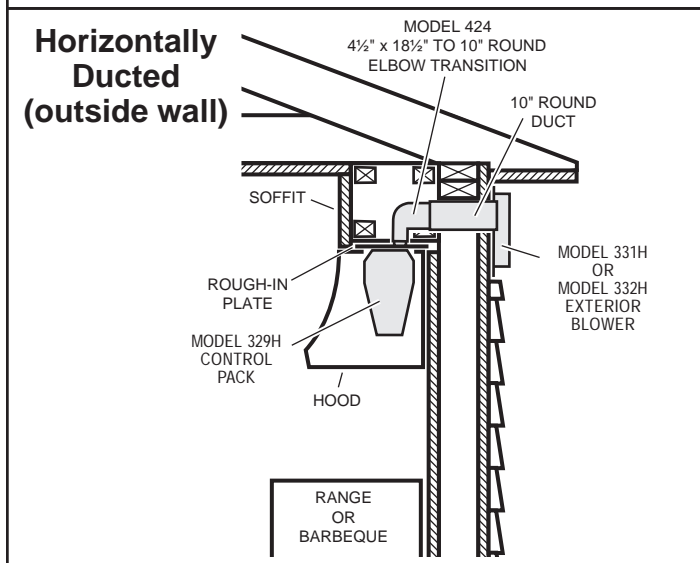
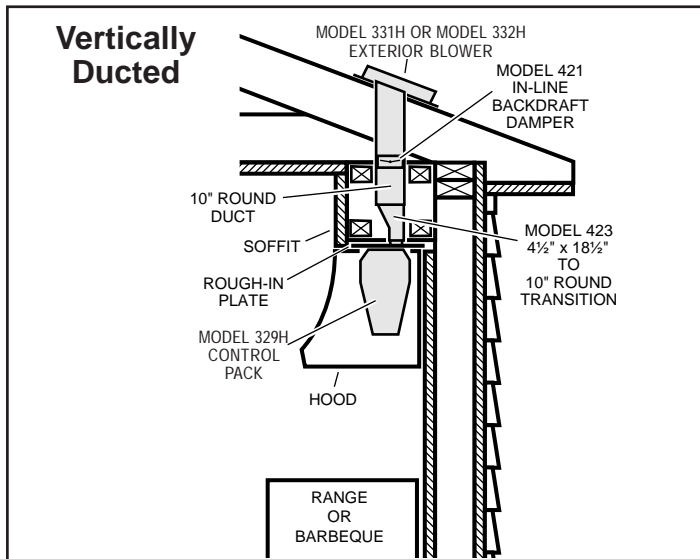
**INSTALLER: Leave this manual with the homeowner.
HOMEOWNER: Use and care instructions on page 4.**

TYPICAL INSTALLATIONS

Three of the most typical installations are shown below.

For maximum ventilation efficiency:

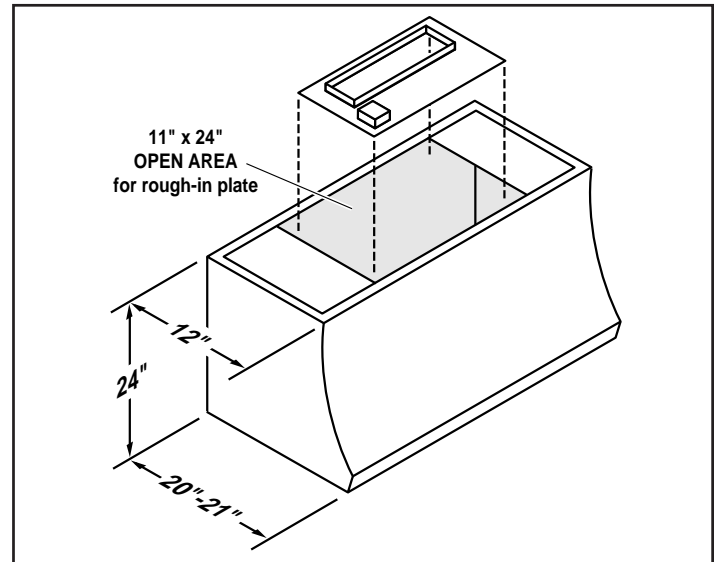
- Use only 10" round duct.
- Keep duct as short and straight as possible.
- Use the fewest number of elbows as possible.



TYPICAL HOOD CONSTRUCTION

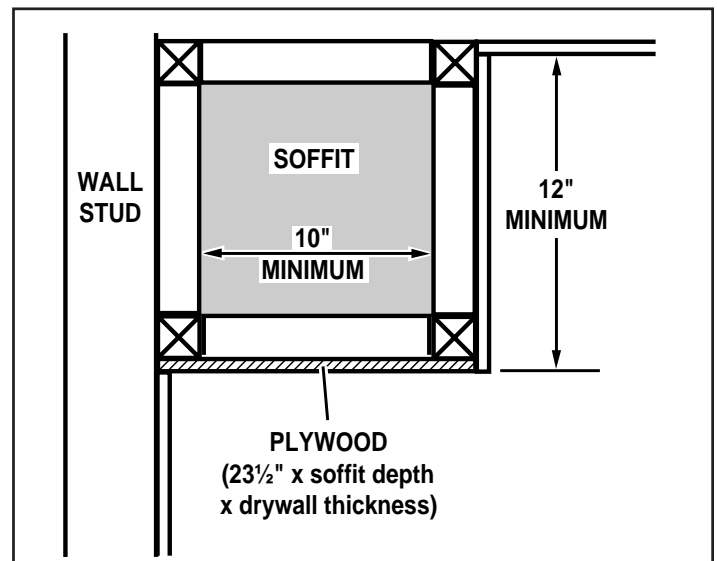
Refer to the illustration, below, for the approximate dimensions of a hood which should surround the control pack.

Note the size of the open area in the top of the hood.



TYPICAL SOFFIT CONSTRUCTION

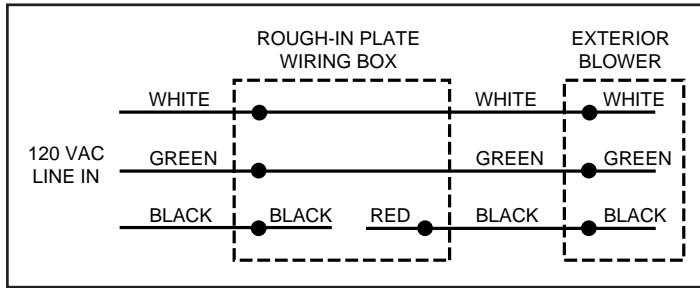
1. The soffit construction must be a minimum of 12" high (to accommodate the duct transition). At least 10" of inside open area is required (for 10" round duct). Make sure the soffit will support the weight of the control pack and a hood.
2. Cut a piece of plywood 23½" wide x the depth of the soffit and the same thickness as the finished drywall material.
3. Using the rough-in plate as a template, cut holes in the plywood for the duct collar and electrical box.
4. Nail the plywood to the soffit.



ELECTRICAL WIRING

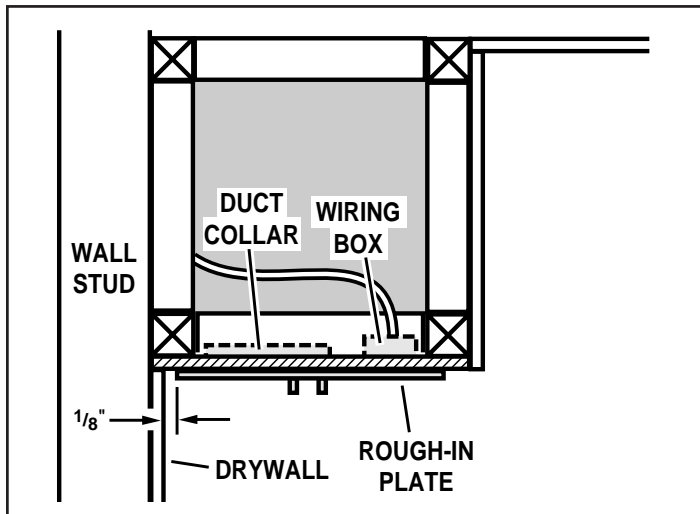
WARNING: Switch power off at service panel and lock service panel to prevent power from being switched on accidentally.

Run power cable and make electrical connections following diagram below.



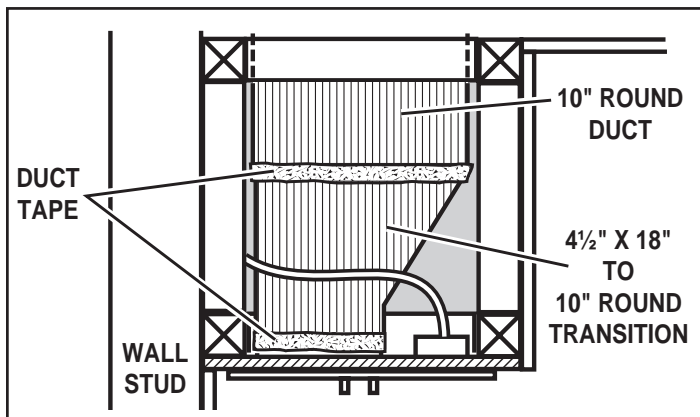
INSTALL ROUGH-IN PLATE

Nail the rough-in plate to the bottom of the plywood with wiring box to the front and back edge of plate 1/8" from finished drywall.



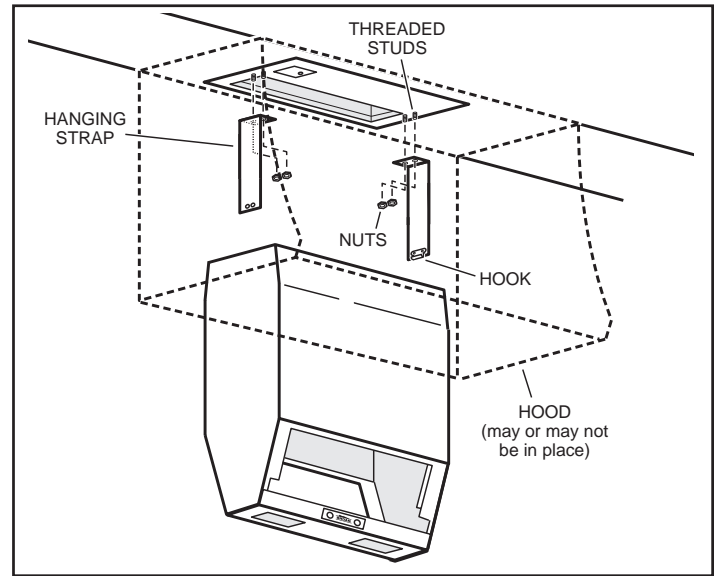
INSTALL DUCTWORK

1. Connect transition to duct collar on rough-in plate.
2. (OPTIONAL): Install an inline backdraft damper in a section of 10" round ductwork. Make sure the damper operates freely.
3. Complete the 10" round duct run between transition and exterior blower.
4. Tape all joints to make them secure and air tight.

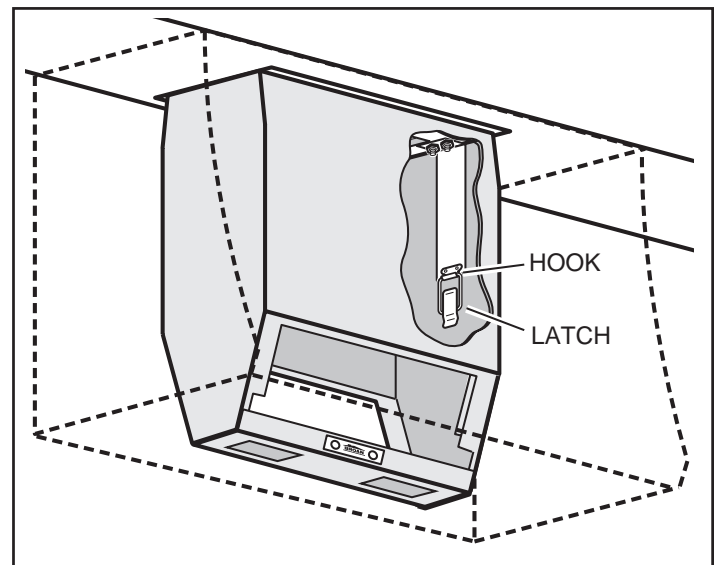


MOUNT CONTROL PACK

1. Slide the two (2) hanging straps over the threaded studs on the rough-in plate. Make sure hooks are facing inward. Secure straps with nuts provided.

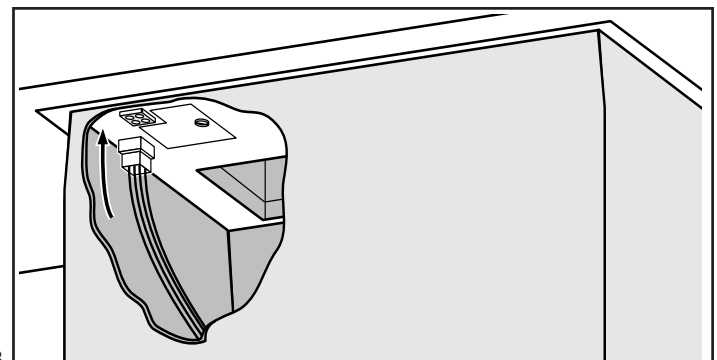


2. Lift control pack into position. Engage hooks and latches, then snap latches closed.



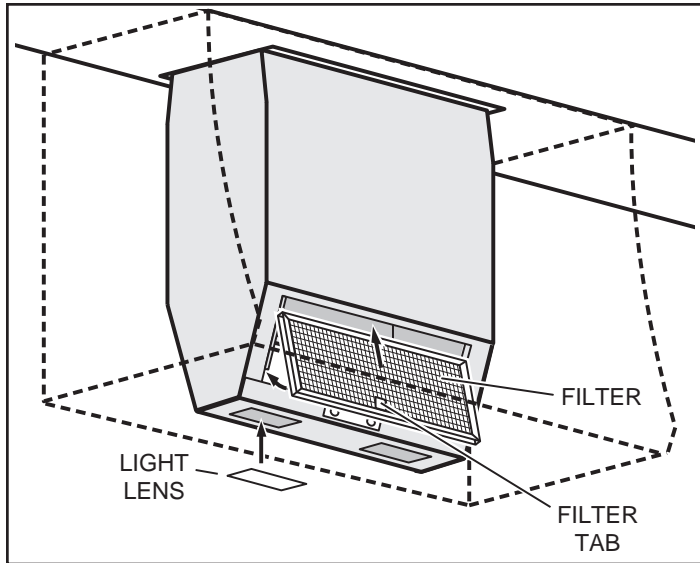
CAUTION: Power and solid state switches must be OFF to avoid sparking and possible destruction of switches.

3. Connect the plug (from the control pack) into the receptacle (on the rough-in plate).



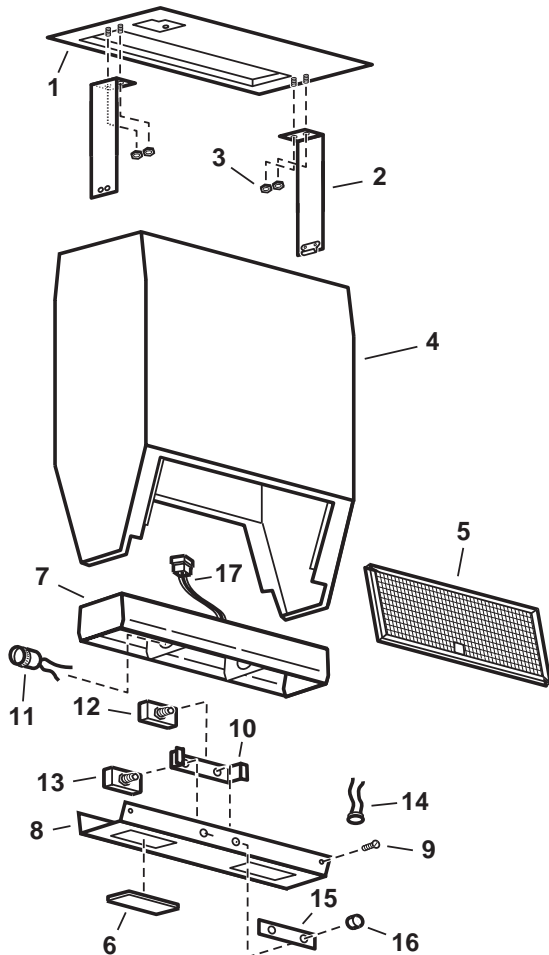
INSTALL FILTERS & LIGHT LENSES

1. The control pack requires two (2) filters (one in front and one in back). Slide filters up into place and use filter tab to guide bottom of filters into position.
2. Install two (2) light bulbs (100 W Max.) into the lamp sockets. Insert glass light lenses into the openings by turning lenses slightly to fit, then lowering lenses into position.



SERVICE PARTS

MODEL 329H CONTROL PACK



USE AND CARE

CONTROLS

This control pack uses solid state controls to operate an exterior blower and cooktop lighting. Blower speed and lighting levels can be infinitely adjusted from HIGH to LOW settings.

The exterior blower is operated using the "FAN" knob on the left. Rotate knob clockwise to turn exterior blower ON HIGH. Further clockwise rotation reduces blower speed. Turn blower OFF by rotating knob counterclockwise until the control "clicks" off.

The built-in cooktop lights are operated using the "LIGHT" knob on the right. Rotate knob clockwise to turn lights ON HIGH. Further clockwise rotation reduces brightness. Turn lights OFF by rotating knob counterclockwise until the control "clicks" off.



HEAT SENTRY

The Heat Sentry is a thermostat located inside the switch tray at the bottom of the housing. This thermostat prevents damage to the control pack due to excessively high temperatures.

If the blower is OFF or the blower speed is too low, the Heat Sentry will sense excess heat from the cooktop. It then overrides the current blower (FAN) setting and turns the blower ON HIGH until the temperature is stabilized. When proper temperature is obtained, the blower will return to its original setting.

It is recommended that the blower be turned up to a higher speed setting while any high heat cooking is in progress.

CLEANING

Clean the control pack housing with a soft cloth and mild soap or detergent only. DO NOT USE abrasive cloth, steel wool pads, or scouring powders.

Filters may be removed and washed in the sink or dishwasher.

Glass light lenses can be wiped clean or removed and washed in sink or dishwasher.

KEY NO.	PART NO.	DESCRIPTION
1	97013418	Rough-in Plate
2	97002303	Hanger Strap (2 Req.)
3	99260491	Nut, Hanger Strap (4 Req.)
4	97002309	Housing Assembly
5	99010103	Aluminum Filter (2 Req.)
6	99050014	Light Lens (2 Req.)
7	-----	Tray Assembly, Top
8	-----	Tray Assembly, Bottom
9	-----	Screw, #8 x 1/4 Hex Hd. SMS*
10	98003355	Switch Bracket
11	99270423	Light Socket (2 Req.)
12	99030296	Light Switch
13	97013416	Fan Switch
14	97005816	Heat Sentry Thermostat
15	99090632	Nameplate
16	99360119	Knob (2 Req.)
17	99770015	Cord
--	97005283	Tray Assembly, Complete (includes Key Nos. 7 thru 17)

* Standard hardware - may be purchased locally.

Order replacement parts by "PART NO." - not by "KEY NO."