

Rough-In Housing

MODEL: 490 SERIES

For use with Direct-A-Com 496 and 498 Series Directories.

ROUGH-IN FRAMING

Framing material should be minimum standard 2 x 4 lumber. Be sure framing is square to prevent binding Directory panels. If more than one Directory is required they may be installed adjacent to each other or in a double row installation.

Refer to dimension chart and rough-in diagrams for recommended dimensions.

MOUNTING

Refer to Figure 3. When construction has been completed, secure the housing to framing through mounting holes.

For complete system wiring recommendations refer to Control/Amplifier Instruction Sheet.

ENTRANCE DIRECTORY ROUGH-IN DIMENSIONS

MODEL	490-1	490-2	490-3
Panel Capacity	1	2	3
Dimension "A"	5"	9"	13"
Dimension "B"	4½"	8½"	12½"

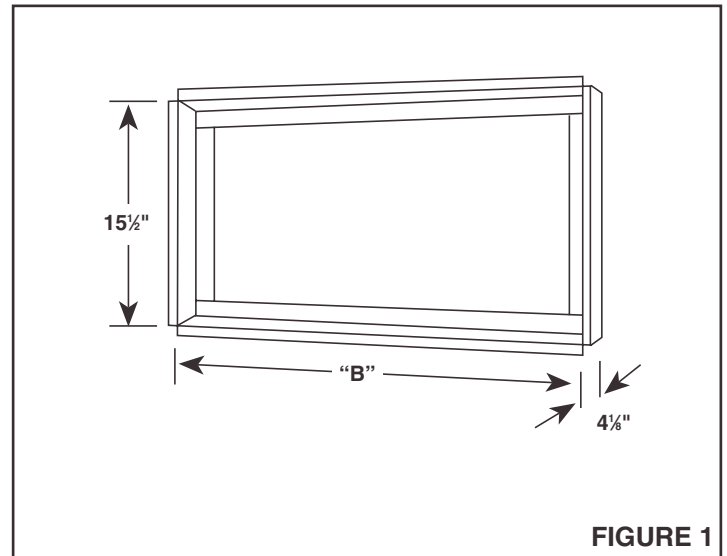


FIGURE 1

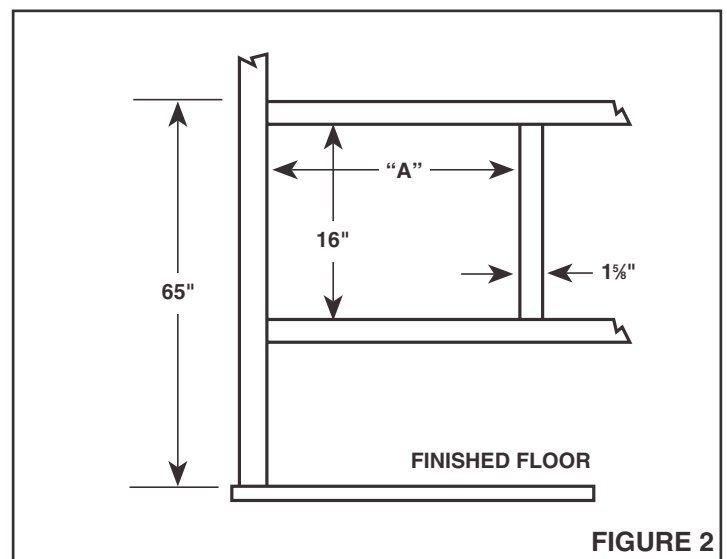


FIGURE 2

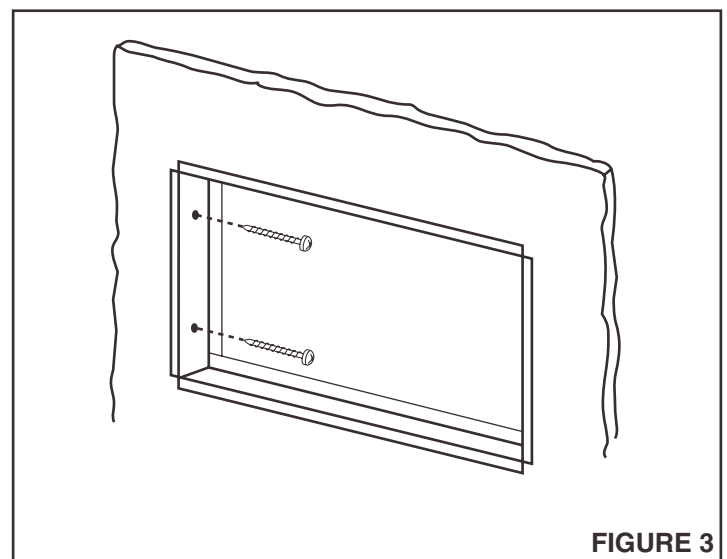


FIGURE 3

Product specifications subject to change without notice.