

Heat-A-Ventlite® Combination MODEL: 665RP

Type IC suitable for use under thermal insulation

LOCATION

1. Mount heater to ceiling joists, or if necessary, to a header installed between joists.
2. **Caution: Do not mount heater closer than 12" to a vertical surface. Do not mount over tub or in shower enclosure.**
3. Installation in existing construction requires an accessible area above the desired location. Make sure that wiring and ducting can be run to the location.

MOUNTING HEATER HOUSING NEW CONSTRUCTION

Using Hanger Bars

Refer to Figure 1.

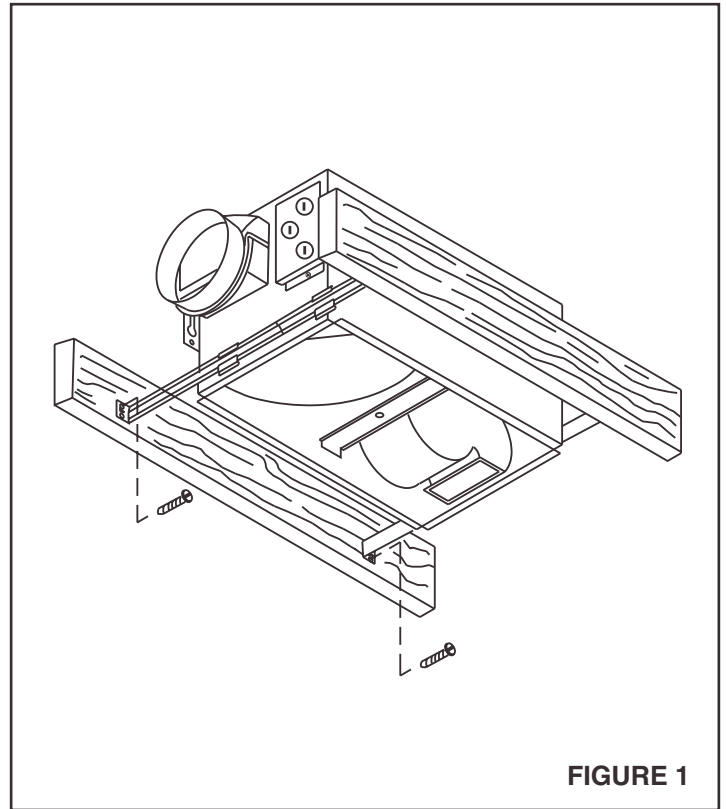
1. Insert hanger bars in slots provided in housing.
2. Locate heater housing between joists so that bottom of heater housing is even with the planned finished ceiling.
3. Use screws or nails (not provided) to secure hanger bars to ceiling joists.

Using Side Mounting Tabs

1. Locate heater housing next to ceiling joist.
2. Use wood screws (not provided) through keyhole slots in mounting tabs to loosely attach housing to ceiling joist.
3. Adjust housing so that it will be flush with the finished ceiling. When housing is properly adjusted, tighten screw in slots to secure housing.

EXISTING CONSTRUCTION

1. Determine desired location for heater.
2. Drill a small hole through the ceiling at the desired location and stick a coat hanger or stiff wire through hole into attic to help find the location from above.
3. Check the area above to make sure that wiring and ducting can be installed and that the installation will not interfere with existing electrical wiring.
4. From above, place the housing between ceiling joists at the desired location. Using the housing as a template, mark the area to be cut out along the bottom flange of the housing.
5. After making the cutout, install the housing in the opening using the hanger bars or mounting tabs as described above. Make sure that the bottom of the housing is flush with the bottom of the finished ceiling.



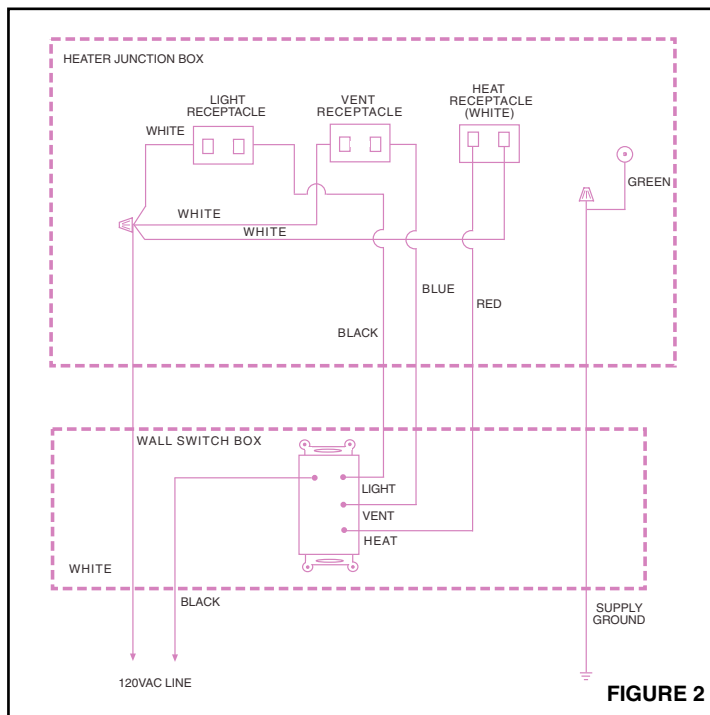
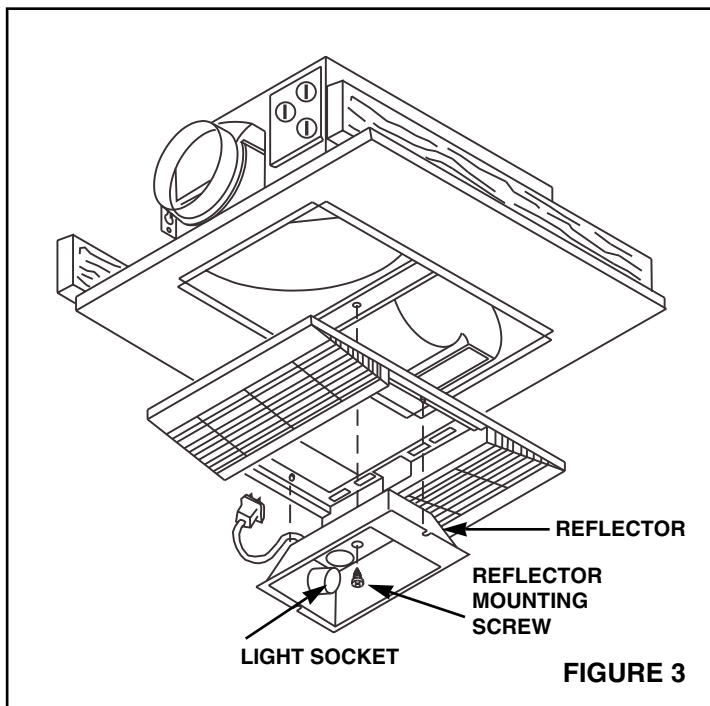
WIRING

All wiring must comply with local and national codes and unit must be properly grounded.

1. Run 120VAC, 60 Hz supply wiring to the wall switch (not provided) **The unit must be wired on a separate 20 Amp circuit.**
2. Run wiring from the switch to the housing junction box. Loosen screw holding exterior wiring compartment cover and remove cover. Interior wiring compartment cover can be removed if necessary by loosening screw through key hole slot in cover. Remove knockout(s) as required and install approved box connectors.
3. **Refer to Figure 2.** Connect white wires in junction box to white (neutral) supply wire. Connect the blue wire in the junction box to the supply wire from the vent switch. Connect the black wire to the supply wire from the light switch. Connect the red wire in the junction box to the supply wire from the heat switch. Connect green ground leads in the junction box to the supply ground.
4. Replace wiring compartment cover and tighten screw to secure.
5. Insert vent motor plug in vent receptacle on interior wiring compartment cover. Insert plug from heater assembly into the heater receptacle on the interior wiring compartment cover.

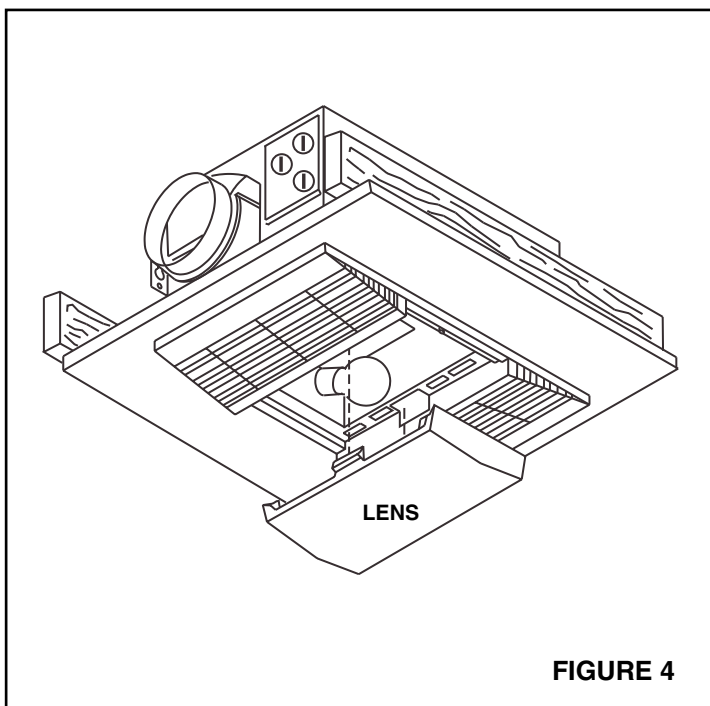
DUCTING

1. Snap plastic duct adapter and damper assembly over flanged opening on housing. Connect 4" round duct to the duct adapter and secure with duct tape. The duct should be run to the outside of the structure through a roof or wall cap. For maximum performance keep duct runs as short and as straight as possible.



MOUNTING THE REFLECTOR AND GRILLE

1. **Refer to Figure 3.** Place the reflector in the opening in the center of the grille. The notches in the reflector should fit over the pegs on either side of the opening. Insert plug from lamp socket into lamp receptacle on wiring compartment.
2. Place 1" screw, provided, through the center hole in the reflector and thread it into the hole in the mounting bracket running across the housing. Tighten the screw just enough to hold the grille firmly against the ceiling.
3. Install a 100 watt maximum, type A-19 light bulb.
4. **Refer to Figure 4.** Snap lens into position in center of grille. To remove the lens for relamping, gently pry along the side of the lens with a screwdriver to disengage the snap in tabs while pulling down on the lens.



NuTone®

One Year Limited Warranty

WARRANTY OWNER: NuTone warrants to the original consumer purchaser of its products that such products will be free from defects in materials or workmanship for a period of one (1) year from the date of original purchase. **THERE ARE NO OTHER WARRANTIES, EXPRESS OR IMPLIED, INCLUDING, BUT NOT LIMITED TO, IMPLIED WARRANTIES OF MERCHANTABILITY OR FITNESS FOR A PARTICULAR PURPOSE.**

During this one year period, NuTone will, at its option, repair or replace, without charge, any product or part which is found to be defective under normal use and service. **THIS WARRANTY DOES NOT EXTEND TO FLUORESCENT LAMP STARTERS OR TUBES, FILTERS, DUCT, ROOF CAPS, WALL CAPS AND OTHER ACCESSORIES FOR DUCTING.** This warranty does not cover (a) normal maintenance and service or (b) any products or parts which have been subject to misuse, negligence, accident, improper maintenance or repair (other than by NuTone), faulty installation or installation contrary to recommended installation instructions.

The duration of any implied warranty is limited to the one year period as specified for the express warranty. Some states do not allow limitation on how long an implied warranty lasts, so the above limitation may not apply to you.

NUTONE'S OBLIGATION TO REPAIR OR REPLACE, AT NUTONE'S OPTION, SHALL BE THE PURCHASER'S SOLE AND EXCLUSIVE REMEDY UNDER THIS WARRANTY. NUTONE SHALL NOT BE LIABLE FOR INCIDENTAL, CONSEQUENTIAL OR SPECIAL DAMAGES ARISING OUT OF OR IN CONNECTION WITH PRODUCT USE OR PERFORMANCE. Some states do not allow the exclusion or limitation of incidental or consequential damages, so the above limitation or exclusion may not apply to you. This warranty gives you specific legal rights, and you may also have other rights, which vary from state to state. This warranty supersedes all prior warranties.

WARRANTY SERVICE: To qualify for warranty service, you must (a) notify NuTone at the address stated below or telephone 1/800-543-8687, (b) give the model number and part identification and (c) describe the nature of any defect in the product or part. At the time of requesting warranty service, you must present evidence of the original purchase date.

Date of Installation

Builder or Installer

Model No. and Product Description

IF YOU NEED ASSISTANCE OR SERVICE:

For the location of your nearest NuTone Independent Authorized Service Center:

Residents of the contiguous United States Dial Free 1-800-543-8687

Please be prepared to provide:

Product model number • Date and Proof of purchase • The nature of the difficulty

Residents of Alaska or Hawaii should write to: NuTone Inc. Attn: Department of National Field Service, 4820 Red Bank Road, Cincinnati Ohio 45227-1599.

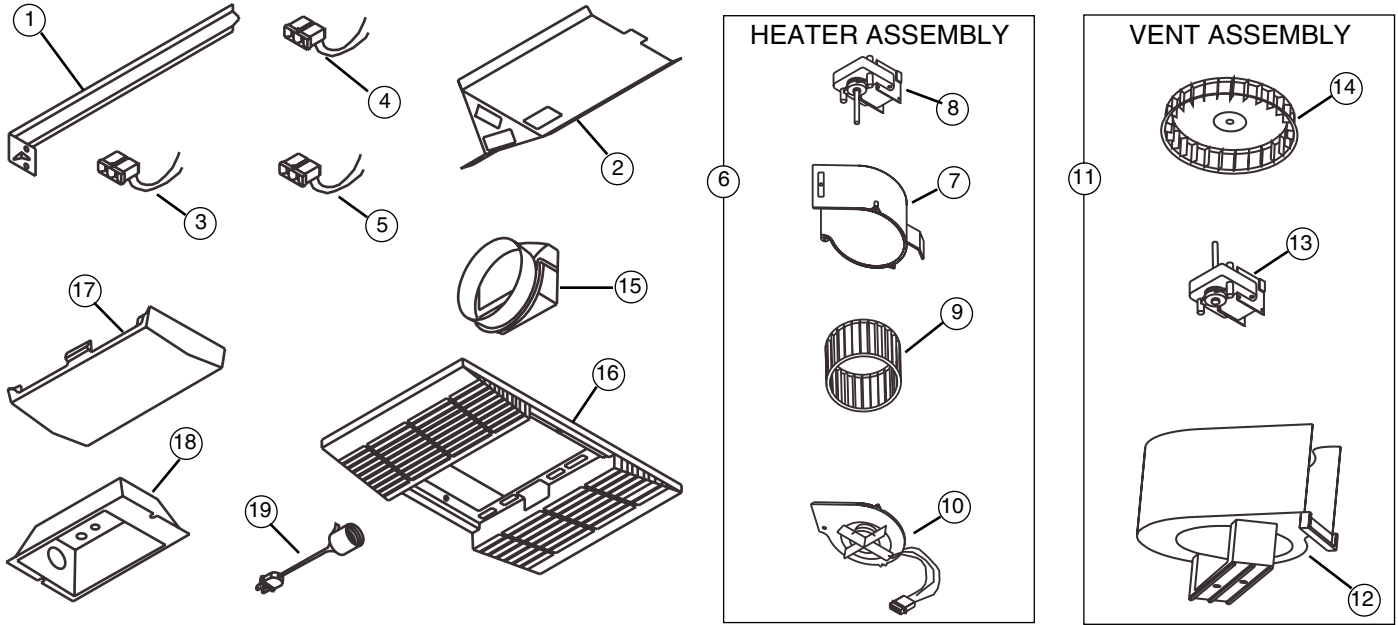
Residents of Canada should write to: Broan-NuTone Canada, 1140 Tristar Drive, Mississauga, Ontario, Canada L5T 1H9.

Rev. 03/2001



PARTS LIST

EFFECTIVE DATE	MODEL NUMBER	PRODUCT GROUP
APRIL 1998	665RP	HEATER



REF.	ORIGINAL PART NO.	PART DESCRIPTION	CURRENT REPLACEMENT PART NO.
1	44388	Hanger Bar	44388-000
2	88552	Outlet Box Cover	88552-000
3	66204	Receptacle-Light	66204-000
4	56721	Receptacle-Heat	56721-000
5	57976	Receptacle-Vent	57976-000
6	88568	Heater Assembly	88568-000
7	88758	Heat Scroll	89758-000
8	88569	Motor-Heat	88569-000
9	66583	Blower Wheel-Heat	66583-000
10	88570	Heater Element	88570-000
11	89849	Vent Assembly	89849-000
12	89757	Vent Scroll	89757-000
13	89850	Motor-Vent	89850-000
14	68739	Blower Wheel-Vent	68739-000
15	30652	Duct Adapter	30652-000
16	89760	Grille	89760-000
17	53740	Lens	53740-000
18	89765	Reflector	89765-000
19	35758	Lamp Socket	35758-000

NuTone
 Attn: Parts Department
 4820 Red Bank Road
 Cincinnati, OH 45227-1599
 Phone: (513) 527-5426
 Fax: (513) 527-5173

NOTE: Always order by current part number

665RP I.I.