

## IMPORTANT SAFETY INSTRUCTIONS

---

**WARNING: TO REDUCE THE RISK OF FIRE, ELECTRIC SHOCK, OR INJURY TO PERSONS, OBSERVE THE FOLLOWING:**

- A. Use this unit only in the manner intended by the manufacturer. If you have questions, contact the manufacturer.
- B. Before servicing or cleaning unit, switch power off at service panel and lock service panel to prevent power from being switched on accidentally.  
When the service disconnecting means cannot be locked, securely fasten a prominent warning device, such as a tag, to the service panel.

**CAUTION:**

For general ventilating use only. Do not use to exhaust hazardous or explosive materials and vapors.

## INSTALLATION INSTRUCTIONS

---

**WARNING: TO REDUCE THE RISK OF FIRE, ELECTRIC SHOCK, OR INJURY TO PERSONS, OBSERVE THE FOLLOWING:**

- A. Installation work and electrical wiring must be done by qualified person(s) in accordance with all applicable codes and standards, including fire-rated construction.
- B. Sufficient air is needed for proper combustion and exhausting of gases through the flue (chimney) of fuel burning equipment to prevent back drafting. Follow the heating equipment manufacturer's guideline and safety standards such as those published by the National Fire Protection Association (NFPA), and the American Society for Heating, Refrigeration and Air Conditioning Engineers (ASHRAE), and the local code authorities.
- C. When cutting or drilling into wall or ceiling, do not damage electrical wiring and other hidden utilities.
- D. Ducted fans must always be vented to the outdoors.
- E. If this unit is to be installed over a tub or shower, it must be marked as appropriate for the application.
- F. NEVER place a switch where it can be reached from a tub or shower.

## 10" Pull-Chain Fan

### Model: 8110 Series

- **WARNING:** To reduce the risk of shock, disconnect power before servicing.
- **CAUTION:** To reduce risk of fire and to properly exhaust air, be sure to vent air outside. Do not vent exhaust air into spaces within walls or ceilings or into attics, crawl spaces or garages.
- **WARNING:** To reduce the risk of fire or electric shock, do not use this fan with any solid state speed control.
- **NOTE:** Cutout dimension: 11 $\frac{1}{8}$ " diameter.

If your installation presents a problem that is not explained here or if any part of these instructions is not clear, consult a professional installer. If you are not familiar with methods of installing electrical wiring, or if you are not certain as to the correctness of any step or procedure described here, secure the services of a qualified electrician.

### Installing the "A" Unit

The "A" Unit consists of the wall sleeve assembly, outlet box and outlet box cover.

#### ADJUSTING THE WALL SLEEVES

1. Refer to **Figure 1**. Pull the inside sleeve out to the desired wall thickness for the the circular flange to be flush with the finished wall.
2. Align the slots in the inside sleeve to the holes in the outside sleeve and fasten together with screws furnished.  
**NOTE:** The knockouts of the outside sleeve are removable to allow clearance space for the outlet box.

#### INSTALLING THE WALL SLEEVES

**For installation into wood:** nail outside panel to sheathing through holes provided in flange of outside panel.

**For installation into brick:** grout unit into place so that panel is flush with brick.

#### INSTALLING THE WIRING

Refer to **Figures 2, 3 and 4**.

**NOTE:** For ease of installation in existing construction, the outlet box is held in place with two screws and is removable to allow for installation through a circular hole.

1. Run house wiring to the unit's outlet box. Use approved wire connectors to make connections and be certain the unit is properly grounded.
2. Position and secure outlet box cover.

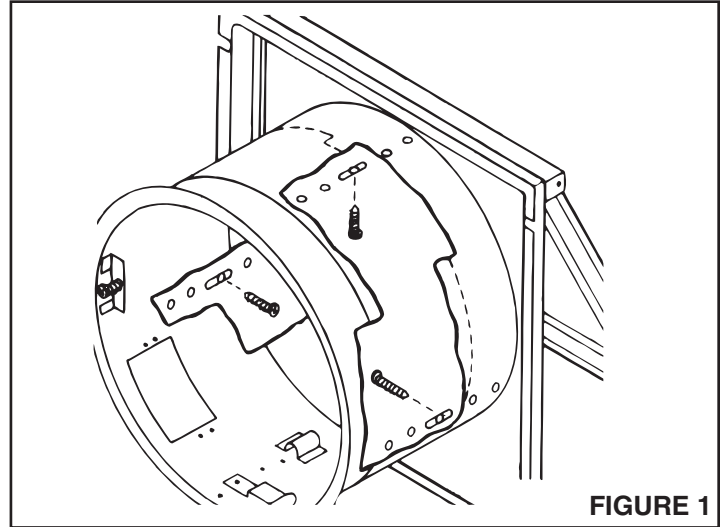


FIGURE 1

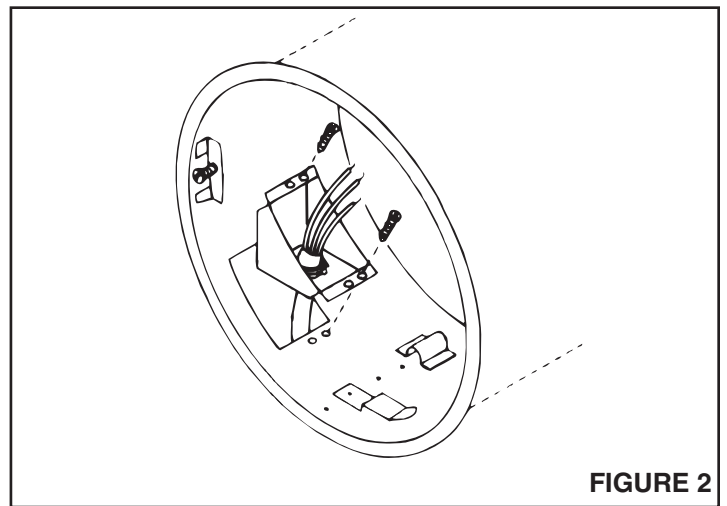


FIGURE 2

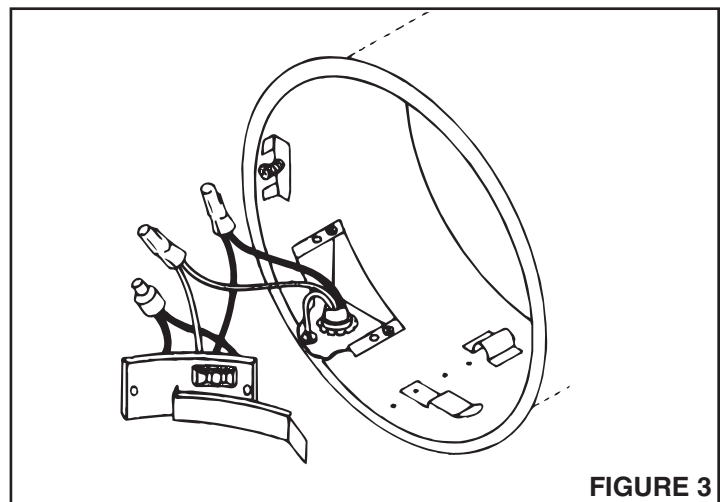


FIGURE 3

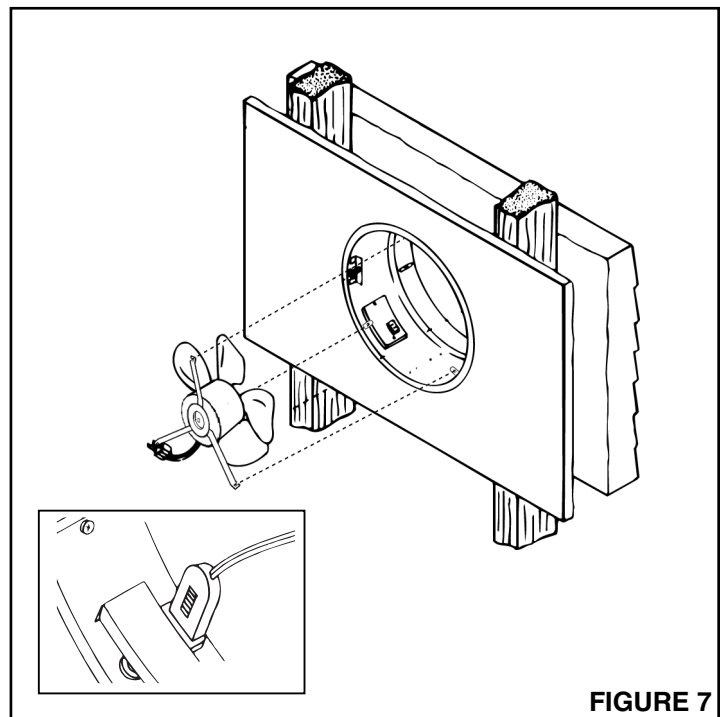
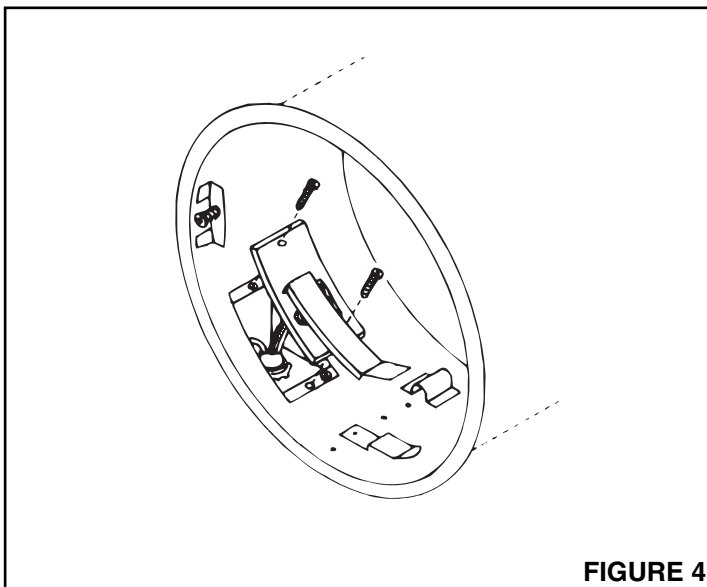
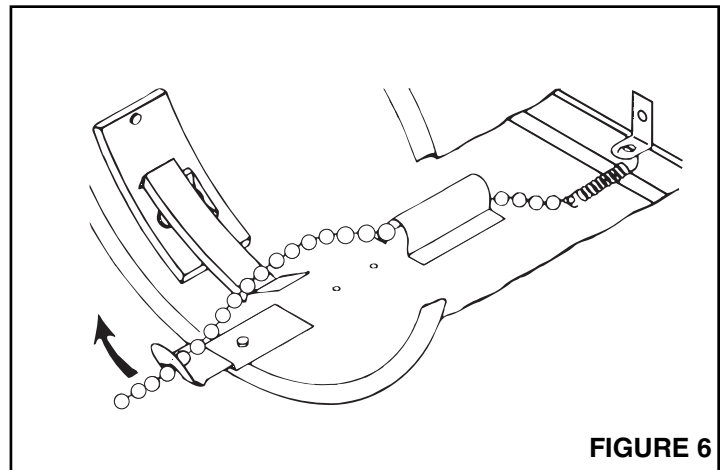
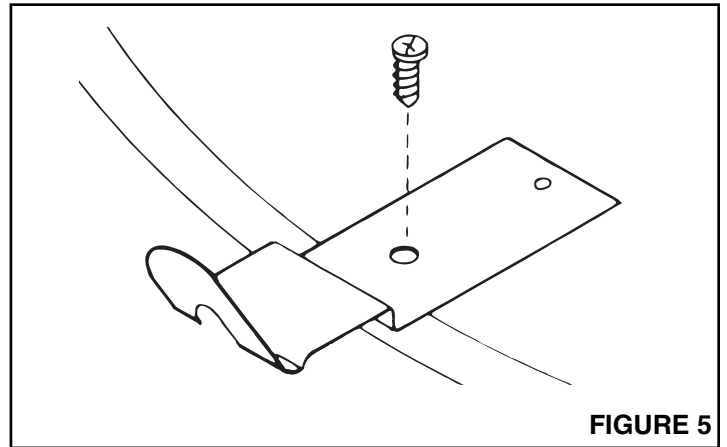
## INSTALLING THE "B" UNIT

Refer to Figures 5 and 6.

1. Turn chain catch bracket so front hole is in line with hole in sleeve and fasten into place with screw provided.
2. Attach chain to the outside door. Hook the spring end of the chain into bracket at bottom of outside door.
3. Thread chain through guard at bottom of sleeve, over switch arm and through hole in chain catch. Pull door closed and lock chain into catch.
4. **Refer to Figure 7.** Install motor and blade assembly with motor leads towards receptacle in outlet box cover. Place keyhole in motor bracket over mounting screws in tabs on inside sleeve. Turn bracket so screws are in slots of keyhole and tighten screws. Spin the blade to be certain it turns freely and plug motor in.
5. Place grille so center hole is in line with hole of stud on motor bracket. Insert thumbscrew and tighten securely.
6. Unhook the chain from catch and allow the door to completely open. Cut chain to desired length and attach pendant.

## COMPLETING THE INSTALLATION

Caulk around the outside panel's flange to insure proper weatherproofing of the unit.



# NuTone®

## One Year Limited Warranty

**WARRANTY OWNER:** NuTone warrants to the original consumer purchaser of its products that such products will be free from defects in materials or workmanship for a period of one (1) year from the date of original purchase. **THERE ARE NO OTHER WARRANTIES, EXPRESS OR IMPLIED, INCLUDING, BUT NOT LIMITED TO, IMPLIED WARRANTIES OF MERCHANTABILITY OR FITNESS FOR A PARTICULAR PURPOSE.**

**During this one year period,** NuTone will, at its option, repair or replace, without charge, any product or part which is found to be defective under normal use and service. **THIS WARRANTY DOES NOT EXTEND TO FLUORESCENT LAMP STARTERS OR TUBES, FILTERS, DUCT, ROOF CAPS, WALL CAPS AND OTHER ACCESSORIES FOR DUCTING.** This warranty does not cover (a) normal maintenance and service or (b) any products or parts which have been subject to misuse, negligence, accident, improper maintenance or repair (other than by NuTone), faulty installation or installation contrary to recommended installation instructions.

The duration of any implied warranty is limited to the one year period as specified for the express warranty. Some states do not allow limitation on how long an implied warranty lasts, so the above limitation may not apply to you.

**NUTONE'S OBLIGATION TO REPAIR OR REPLACE, AT NUTONE'S OPTION, SHALL BE THE PURCHASER'S SOLE AND EXCLUSIVE REMEDY UNDER THIS WARRANTY. NUTONE SHALL NOT BE LIABLE FOR INCIDENTAL, CONSEQUENTIAL OR SPECIAL DAMAGES ARISING OUT OF OR IN CONNECTION WITH PRODUCT USE OR PERFORMANCE.** Some states do not allow the exclusion or limitation of incidental or consequential damages, so the above limitation or exclusion may not apply to you. This warranty gives you specific legal rights, and you may also have other rights, which vary from state to state. This warranty supersedes all prior warranties.

**WARRANTY SERVICE:** To qualify for warranty service, you must (a) notify NuTone at the address stated below or telephone 1/800-543-8687, (b) give the model number and part identification and (c) describe the nature of any defect in the product or part. At the time of requesting warranty service, you must present evidence of the original purchase date.

Date of Installation

Builder or Installer

Model No. and Product Description

### IF YOU NEED ASSISTANCE OR SERVICE:

For the location of your nearest NuTone Independent Authorized Service Center:

**Residents of the contiguous United States** Dial Free 1-800-543-8687

Please be prepared to provide:

Product model number • Date and Proof of purchase • The nature of the difficulty

**Residents of Alaska or Hawaii should write to:** NuTone Inc. Attn: Department of National Field Service, 4820 Red Bank Road, Cincinnati Ohio 45227-1599.

**Residents of Canada should write to:** Broan-NuTone Canada, 1140 Tristar Drive, Mississauga, Ontario, Canada L5T 1H9.

Rev. 03/2001