

Automatic Bathroom Wall Fan

MODEL: 8870

For walls 5" to 10" thick

IMPORTANT SAFETY INSTRUCTIONS

WARNING: TO REDUCE THE RISK OF FIRE, ELECTRIC SHOCK, OR INJURY TO PERSONS, OBSERVE THE FOLLOWING:

- Use this unit only in the manner intended by the manufacturer. If you have questions, contact the manufacturer.
- Before servicing or cleaning unit, switch power off at service panel and lock service panel to prevent power from being switched on accidentally. When the service disconnecting means cannot be locked, securely fasten a prominent warning device, such as a tag, to the service panel.

CAUTION:

For general ventilating use only. Do not use to exhaust hazardous or explosive materials and vapors.

INSTALLATION INSTRUCTIONS

WARNING: TO REDUCE THE RISK OF FIRE, ELECTRIC SHOCK, OR INJURY TO PERSONS, OBSERVE THE FOLLOWING:

- Installation work and electrical wiring must be done by qualified person(s) in accordance with all applicable codes and standards, including fire-rated construction.
- Sufficient air is needed for proper combustion and exhausting of gases through the flue (chimney) of fuel burning equipment to prevent back drafting. Follow the heating equipment manufacturer's guideline and safety standards such as those published by the National Fire Protection Association (NFPA), and the American Society for Heating, Refrigeration and Air Conditioning Engineers (ASHRAE), and the local code authorities.
- When cutting or drilling into wall or ceiling, do not damage electrical wiring and other hidden utilities.
- Ducted fans must always be vented to the outdoors.
- If this unit is to be installed over a tub or shower, it must be marked as appropriate for the application.
- NEVER place a switch where it can be reached from a tub or shower.

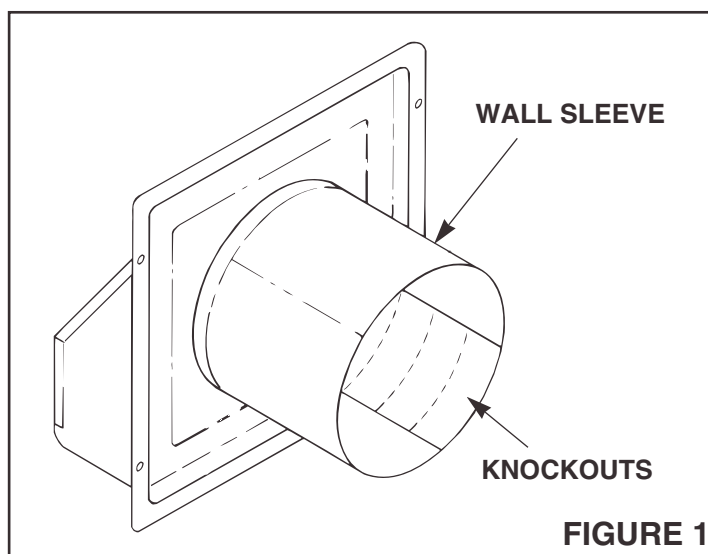


FIGURE 1

- SUITABLE FOR USE OVER A TUB OR SHOWER WHEN INSTALLED IN A G.F.C.I. PROTECTED BRANCH CIRCUIT AND INSTALLED AT LEAST 1.5 m (5 FEET) ABOVE THE FLOOR.**
 - UL listed for use in tub/shower enclosures when used with GFI branch circuit wiring.
 - Not for use in kitchens.
 - Cutout size for existing construction: 7 $\frac{1}{8}$ " diameter opening.
NOTE: The wall sleeve may be installed during the early stages of construction. The Motor/Blade Assembly and the Grille may be installed later (at the time electrical fixtures are installed.) Remove the Motor/Blade Assembly and the Grille and store them until needed.
- Adjust the sleeve to the proposed wall thickness.
NOTE: The circular flange of the inside sleeve must be flush with the plaster line.
 - Refer to Figure 1.** Remove the necessary knockouts from the wall sleeve to allow clearance for the outlet box.
 - Remove and set aside the inside sleeve.

MOUNTING THE WALL SLEEVE

FOR WOOD CONSTRUCTION

Refer to Figure 2.

Mount the wall sleeve so the flange of the outside panel is flush against the outside sheathing and held in place by nails through the pre-drilled holes of the flange.

FOR BRICK CONSTRUCTION

Refer to Figure 3.

Mount the wall sleeve against face of brick and grout into place.

INSTALLING THE INSIDE SLEEVE

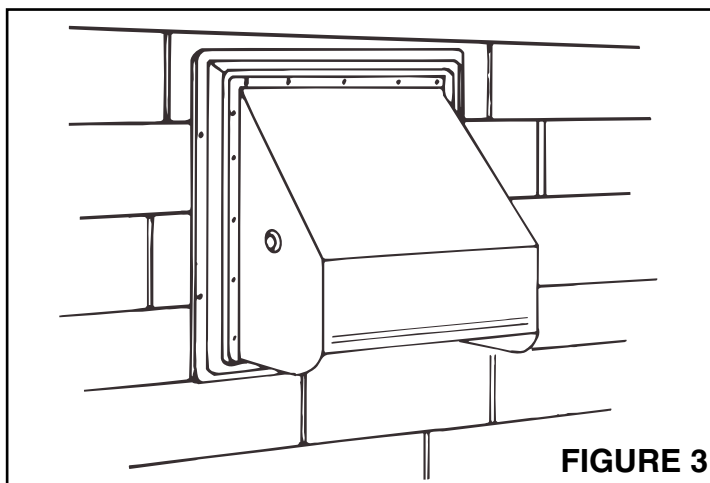
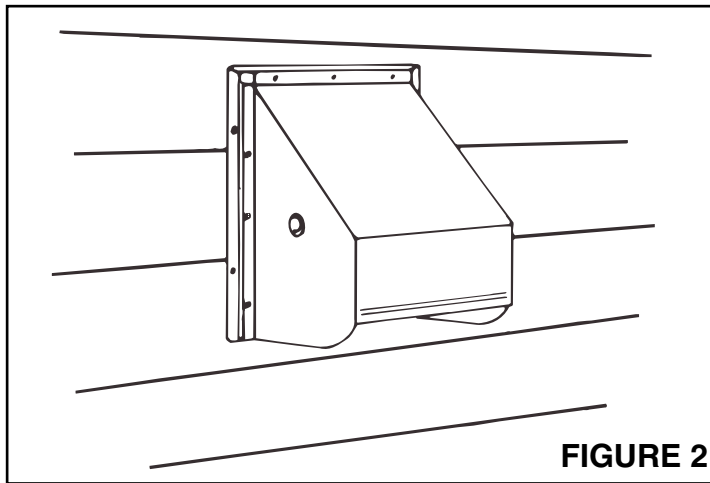
Refer to Figure 4.

1. Insert the inside sleeve into the wall cavity. Align the slots of the inside sleeve with the pre-drilled holes of the wall sleeve and secure together with screws supplied.

INSTALLING THE OUTLET BOX

Refer to Figure 5.

1. Remove knockout from the outlet box and mount the box inside the housing.
2. Make connections; be certain the unit and switches are properly grounded and all wiring complies with electrical code requirements.
3. Using screws supplied, install the outlet box cover.



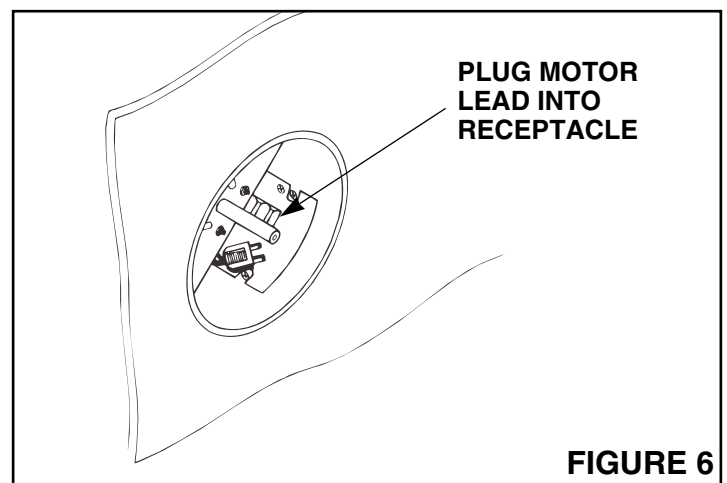
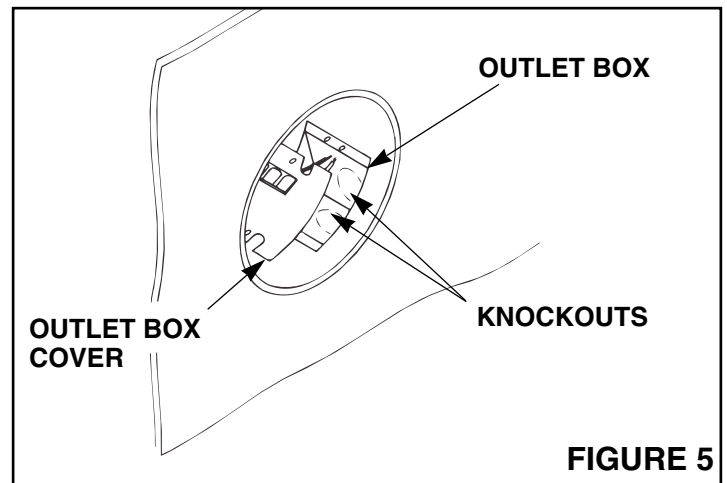
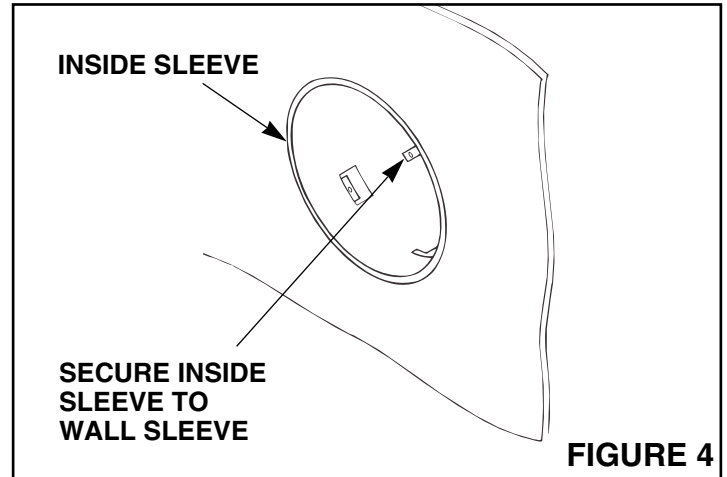
COMPLETING THE INSTALLATION

Refer to Figure 6.

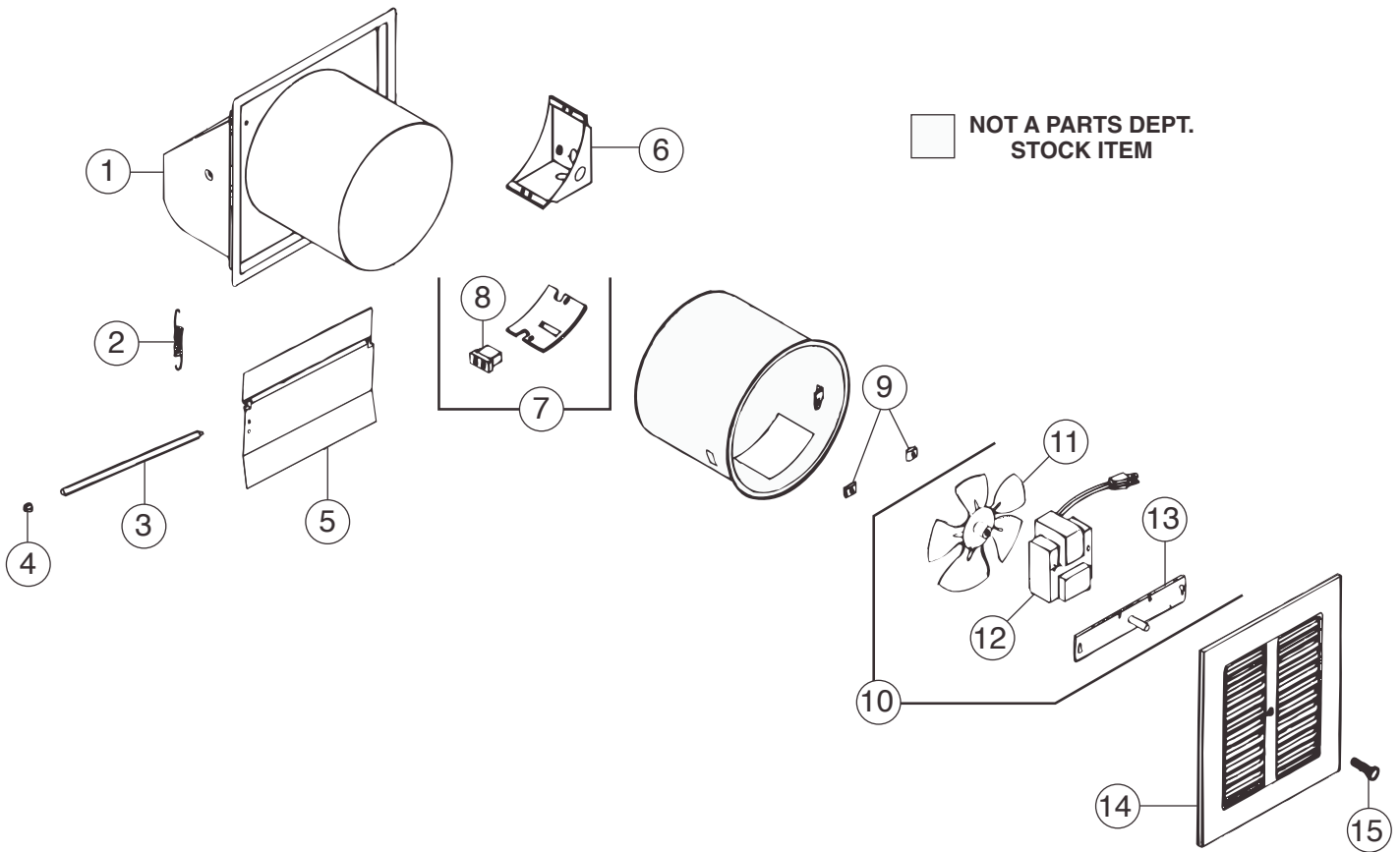
1. Install Motor/Blade Assembly being certain the motor lead is towards the receptacle on outlet box cover.
2. Plug motor lead into receptacle.
3. Fasten the grille in place with thumbscrew supplied.

MAINTENANCE AND CLEANING

- Disconnect the power before servicing or cleaning the fan.
- If the fan grille or fan blades become soiled, clean them with a mild soap and water solution.



REPLACEMENT PARTS



REF.	ORIGINAL PART NO.	*PART DESCRIPTION	CURRENT REPLACEMENT PART NO.	
1	22623	FLASH PLATE & HOOD ASSEMBLY	22623-000	
2	10877	SPRING	10877-000	
3	22638	HINGE ROD	22638-000	
4	26855	PAL NUT – NOTE: May be purchased locally	26855-000	
5	22637	LOUVER	22637-000	
6	10473	OUTLET BOX	10473-005	
7	22642	OUTLET BOX COVER ASSEMBLY	22642-000	
8	10034	RECEPTACLE	10034-000	
9	15583	SPEED NUT – 2 Required	18218-000	
10	22647	POWER UNIT ASSEMBLY	1315A-000	
11	22651	FAN BLADE ASSEMBLY	22651-000	
12	22650	MOTOR	26753-000	
13	15589	MOTOR BRACKET ASSEMBLY	15589-000	
14	16824	GRILLE	ALUMINUM	13178-000
	66715		PLASTIC	66715-000
15	11247	GRILLE SCREW	METAL	11247-001
	66716		PLASTIC	66716-000

▲
NOTE: Always order by current part number

NuTone®

One Year Limited Warranty

WARRANTY OWNER: NuTone warrants to the original consumer purchaser of its products that such products will be free from defects in materials or workmanship for a period of one (1) year from the date of original purchase. **THERE ARE NO OTHER WARRANTIES, EXPRESS OR IMPLIED, INCLUDING, BUT NOT LIMITED TO, IMPLIED WARRANTIES OF MERCHANTABILITY OR FITNESS FOR A PARTICULAR PURPOSE.**

During this one year period, NuTone will, at its option, repair or replace, without charge, any product or part which is found to be defective under normal use and service. **THIS WARRANTY DOES NOT EXTEND TO FLUORESCENT LAMP STARTERS OR TUBES, FILTERS, DUCT, ROOF CAPS, WALL CAPS AND OTHER ACCESSORIES FOR DUCTING.** This warranty does not cover (a) normal maintenance and service or (b) any products or parts which have been subject to misuse, negligence, accident, improper maintenance or repair (other than by NuTone), faulty installation or installation contrary to recommended installation instructions.

The duration of any implied warranty is limited to the one year period as specified for the express warranty. Some states do not allow limitation on how long an implied warranty lasts, so the above limitation may not apply to you.

NUTONE'S OBLIGATION TO REPAIR OR REPLACE, AT NUTONE'S OPTION, SHALL BE THE PURCHASER'S SOLE AND EXCLUSIVE REMEDY UNDER THIS WARRANTY. NUTONE SHALL NOT BE LIABLE FOR INCIDENTAL, CONSEQUENTIAL OR SPECIAL DAMAGES ARISING OUT OF OR IN CONNECTION WITH PRODUCT USE OR PERFORMANCE. Some states do not allow the exclusion or limitation of incidental or consequential damages, so the above limitation or exclusion may not apply to you. This warranty gives you specific legal rights, and you may also have other rights, which vary from state to state. This warranty supersedes all prior warranties.

WARRANTY SERVICE: To qualify for warranty service, you must (a) notify NuTone at the address stated below or telephone 1/800-543-8687, (b) give the model number and part identification and (c) describe the nature of any defect in the product or part. At the time of requesting warranty service, you must present evidence of the original purchase date.

Date of Installation

Builder or Installer

Model No. and Product Description

IF YOU NEED ASSISTANCE OR SERVICE:

For the location of your nearest NuTone Independent Authorized Service Center:

Residents of the contiguous United States Dial Free 1-800-543-8687

Please be prepared to provide:

Product model number • Date and Proof of purchase • The nature of the difficulty

Residents of Alaska or Hawaii should write to: NuTone Inc. Attn: Department of National Field Service, 4820 Red Bank Road, Cincinnati Ohio 45227-1599.

Residents of Canada should write to: Broan-NuTone Canada, 1140 Tristar Drive, Mississauga, Ontario, Canada L5T 1H9.

Rev. 03/2001