

## Kickspace Heater

**MODEL: 9114NT**

### IMPORTANT SAFETY INSTRUCTIONS

**WARNING – TO REDUCE THE RISK OF FIRE, ELECTRIC SHOCK, OR INJURY TO PERSONS, OBSERVE THE FOLLOWING:**

1. All electrical work must be done in accordance with local and/or National Electrical Code as applicable. For safety, this product must be grounded. If you are unfamiliar with methods of installing electrical wiring, secure the services of a qualified electrician.
2. Turn off power at service entrance before installing wiring, servicing, or cleaning this product.
3. **Do not** install heater upside down or sideways. Heater must be located in the horizontal position.
4. **Do not** recess louvered face of the heater more than three inches from the vertical face of any overhang (cabinet).
5. **Do not** locate heater behind doors, furniture, etc., where the air flow to the unit will be restricted.
6. To avoid electrical shock; **do not** install heater within arm's length of tub or shower enclosure.
7. To avoid motor bearing damage and noisy and/or unbalanced impellers, keep drywall spray, construction dust, etc., off power unit.
8. Provide this heater with a separate electrical circuit following directions under "Wire the Heater" section.
9. This product is equipped with a thermostat which may start it automatically. Turn off power at service entrance before cleaning or servicing.
10. This heater includes a visual alarm to warn that parts are getting excessively hot. If the alarm lights are activated, immediately turn the heater off and inspect for any objects on or adjacent to the heater that may cause high temperatures.
11. Please read specification label on product for further information and requirements.

### PLAN THE INSTALLATION

This heater is designed for installation in an enclosed space such as under a counter or kickspace to provide warm, gentle heat at the floor level. Reread Safety Notes 3 through 8 for guidelines in planning the installation.

The Model 9114NT is factory wired for 240/208 V.A.C. operation. It offers a choice of heat outputs and can be internally connected for multiple wattages at different voltages shown in the table below.

VOLTS	WATTS	AMPS	BTU/HR
240	1500	6.3	5120
208	1125	5.4	3840
120*	1500	12.5	5120
120*	750	6.3	2560

All ratings are 1-Phase, 60 Hertz.

\*See "FIELD CONVERSION TO 120 V.A.C." section.

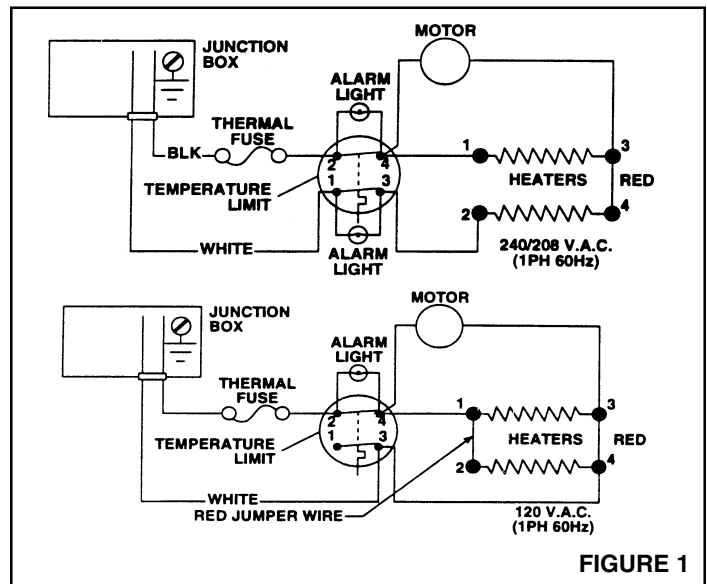
### FIELD CONVERSION TO 120 V.A.C.

#### Refer to FIGURE 1

If a 120 V.A.C. circuit is to be used, make wiring changes as follows:

1. Disconnect **white** wire from heater element terminal "2" and connect it to terminal "4." The heater will now operate at 120 V.A.C., 750W, 6.3A.
2. For 120 V.A.C., 1500W, 12.5A operation, add the short **red** jumper wire (provided) between terminals "1" and "2".
3. Remove alarm light wire leads from terminals "1" and "3" of the high temperature limit. Remove white wire lead from limit terminal "1" and reconnect at limit terminal "3". Secure wire leads with wire tie so there is no interference with unit operation.

**NOTE:** Terminal numbers are marked on the side of the blower housing, above the heater elements.



**FIGURE 1**

# THERMOSTAT INSTALLATION

## Refer to FIGURE 2

**NOTE:** The thermostat control circuit must be wired prior to the wiring of the heater unit.

This heater may be thermostatically controlled by either a line voltage wall-mounted thermostat (Model 86W), or an optional built-in thermostat accessory kit (Model 90). Model 90 thermostat kits are designed for easy installation with this heater. Instructions for installing thermostats are provided below and are also supplied with each thermostat kit.

## OPTIONAL LINE VOLTAGE WALL-MOUNT THERMOSTAT

1. Locate thermostat on an inside wall away from all drafts and approximately 4-5 feet above the floor.
2. Route all wiring through the thermostat first and then to the heater.

## OPTIONAL (MODEL 90) UNIT-MOUNT THERMOSTAT

### Refer to FIGURE 3

1. Remove the top cover from the heater.
2. Remove the 5/8" knockout located on the left side of the front panel (use a screwdriver to remove the knockout). Also remove the two plastic hole plugs (see illustration).
3. Install thermostat from back side of front panel and fasten in place, from front, with two screws and washers provided (see illustrations).
4. Attach temperature control knob by gently pushing it on to the thermostat shaft. Flats on shaft and knob must line up for proper installation (do not force control knob onto shaft).
5. Remove **black** wire from thermal fuse and attach it to thermostat terminal marked "4".
6. Remove **white** wire from temperature limit terminal marked "1" (Note: the other end of this wire is attached to incoming field wiring) and attach it to the thermostat terminal marked "1".
7. Attach **black** thermostat wire to thermal fuse and **white** thermostat wire to the temperature limited marked "1".

## INSTALL THE HEATER

### Refer to FIGURE 4

1. Mark the intended mounting location in the base plate under the counter or kickspace, and remove required material to provide for easy insertion and removal of the heater cabinet.
2. The unit will be secured in place with screws through the side angle support brackets. Provide adequate material behind side angle support for secure mounting.

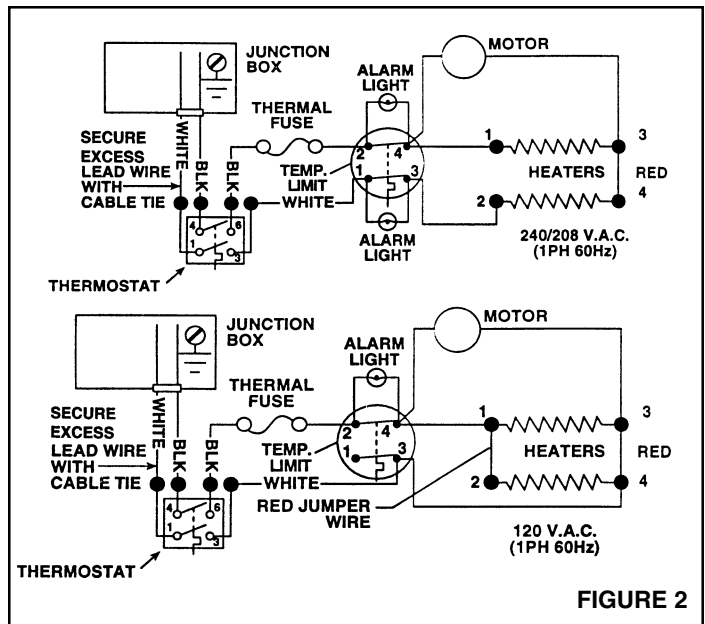


FIGURE 2

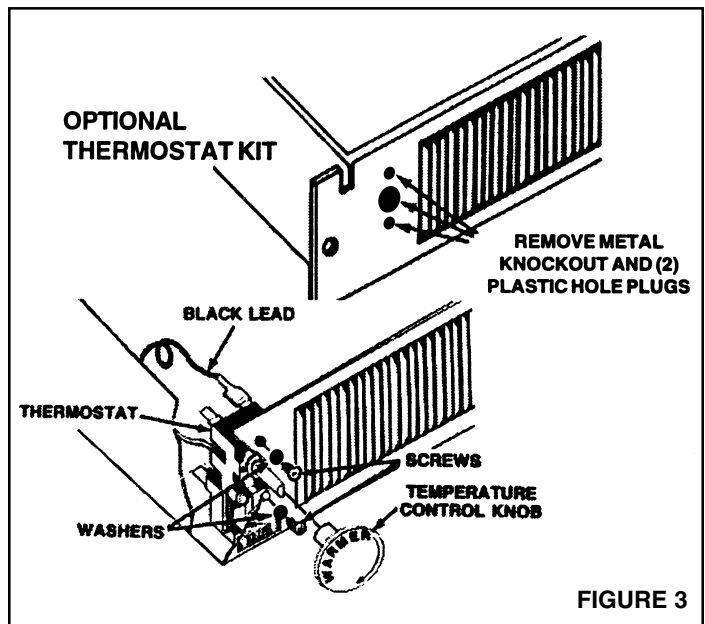


FIGURE 3

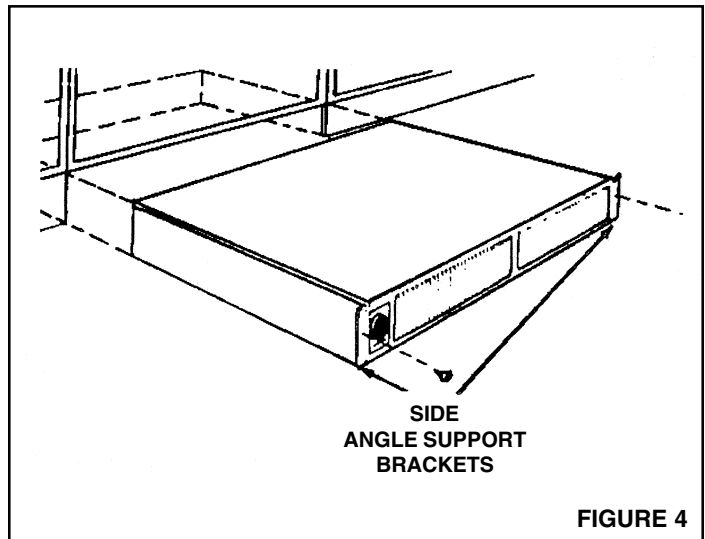


FIGURE 4

## WIRE THE UNIT

**WARNING: Disconnect power at service entrance before wiring this product.**

Refer to **FIGURE 5**

1. Run electrical power cable to installation location. Provide two feet of slack to allow heater to be pulled out far enough to remove top cover for cleaning or servicing.

**NOTE:** It is recommended that flexible conduit be used for field wiring to the unit to protect the wires from sharp objects or hazardous environments.

**NOTE:** Be sure supply voltage meets the equipment requirement. Refer to the rating plate, unit wiring diagram and specification table.

Refer to **FIGURE 6**

2. Remove top cover for access to wiring box at rear of heater.

Refer to **FIGURE 7**

3. Remove one of the two knockouts and connect power cable to heater using appropriate connector. Allow at least six inches of wiring inside of wiring box.
4. Connect black to black, white to white and green (or bare wire) to ground screw, as shown. Tuck wires down inside the wiring box.
5. Replace top cover.

**WARNING: Do not operate heater without top cover in place.**

6. Slide heater into place and secure to mounting surface.

## CHECK OPERATION

1. Turn thermostat counterclockwise to its lowest setting.
2. Turn on power to circuit at service entrance.
3. Turn thermostat clockwise. The heating element and fan should come on. Set thermostat to desired temperature level. During proper operation, the heater will cycle on and off periodically.

If heater does not come on:

1. Return the thermostat to lowest setting.
2. Shut off power at service entrance.
3. Remove the top cover, Check for proper line voltage and reinspect wiring connections. Reread installation procedure making sure all steps were followed.
4. Also check the thermal fuse. It may be open and need to be replaced. Consult the service parts list for the part number of a replacement fuse. Follow the procedure described in the last paragraph of the warranty when ordering replacement parts.

## MAINTENANCE

**NOTE:** Always disconnect power at service entrance before cleaning or servicing heater.

The only maintenance required for this heater is to periodically vacuum the front grille and housing. Simply remove the two side angle support screws, slide heater out, and remove top cover for access to the blower housing.

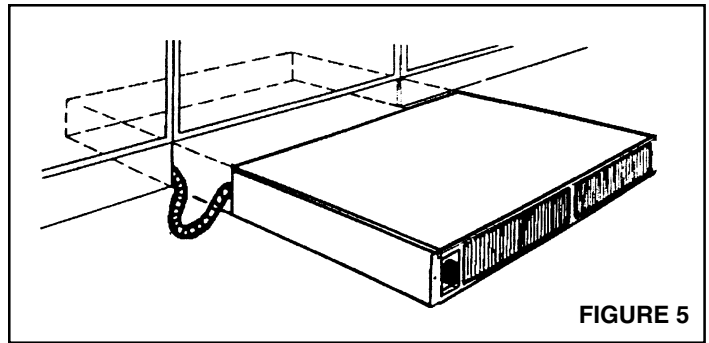


FIGURE 5

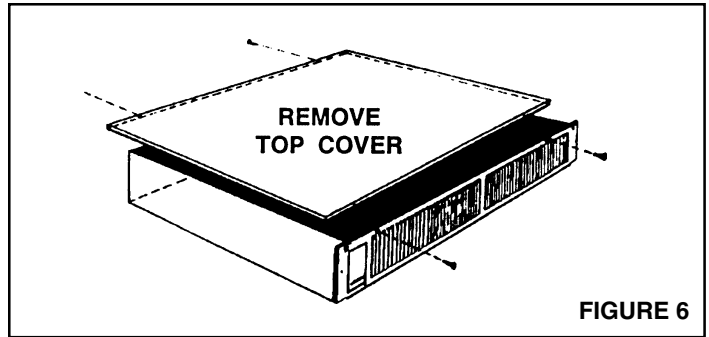


FIGURE 6

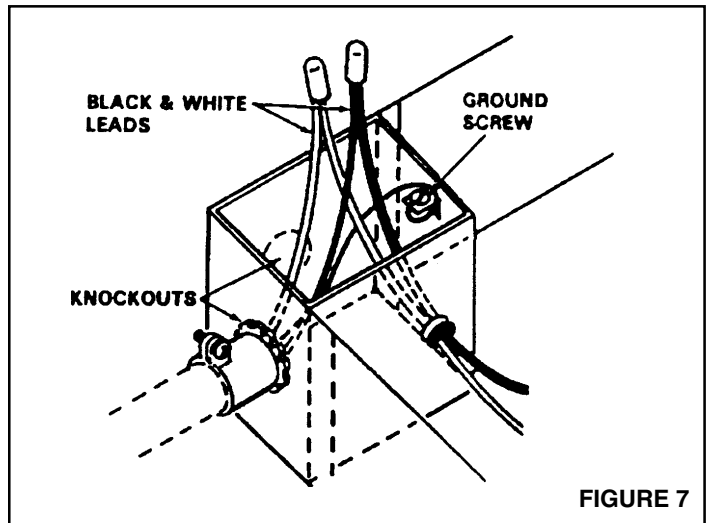
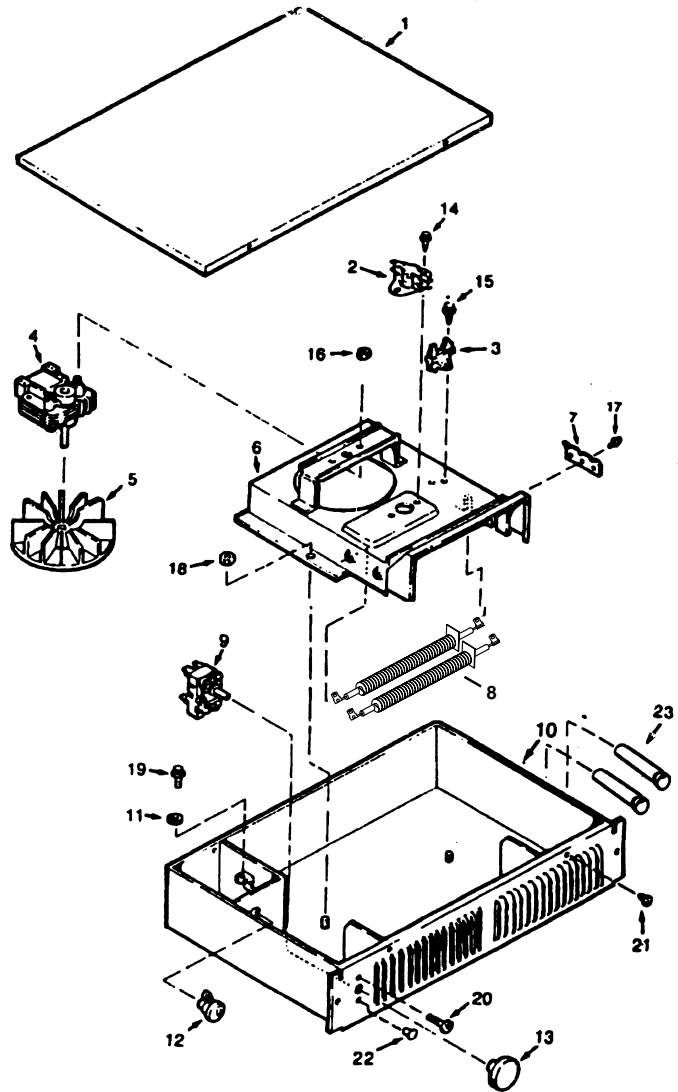


FIGURE 7

# PARTS LIST

REF.	PART NUMBER	PART DESCRIPTION
1	99522899	Cover (White)
2	99522400	Cycling Thermal Overload Limit Switch
3	99521763	Thermal Fuse
4	99521765	Motor
5	99020130	Blower Wheel
6	99521760	Motor Plate
7	99521761	Element Retainer
8	99271288	Heater Element (2 Required)
9	99521767	Thermostat (Optional)
10	---	Housing (White)
11	99521770	Cupped Washer
12	99521768	Strain Relief Bushing
13	99521769	Knob (Optional)
14	*	Screw, 6-20 x 1/4 Slotted Hex Head (2 Required)
15	*	Screw, 6-20 x 3/8 Slotted Head Head AB Pt.
16	*	Nut, 6-32 Hex Keps (2 Required)
17	*	Screw, 10-16 x 3/8 Slotted Head Head AB Pt.
18	*	Nut, 10-32 Hex Keps (2 Required)
19	*	Screw, 10-32 x 1/2 Slotted Head Head Type F
20	*	Screw, 6-32 x 3/4 Phillips Pan Head (2 Required) (Optional)
21	*	Screw, 8-18 x 1/4 Slotted Pan Head (4 Required)
22	99522062	Plastic Hole Plug (2 Required)
23	99522782	Alarm Light

\* Standard Hardware. May be purchased locally.



## NUTONE ONE YEAR LIMITED WARRANTY

NuTone warrants to the original consumer purchaser of our products that such products will be free from defects in materials or workmanship for a period of one year from date of original purchase. THERE ARE NO OTHER WARRANTIES, EXPRESSED OR IMPLIED, INCLUDING, BUT NOT LIMITED TO, IMPLIED WARRANTIES OR MERCHANTABILITY OR FITNESS FOR A PARTICULAR PURPOSE.

During this one-year period, NuTone will, at our option, repair or replace, without charge, any product or part which is found to be defective under normal use and service.

THIS WARRANTY DOES NOT EXTEND TO FLUORESCENT LAMP STARTERS AND TUBES. This warranty does not cover (a) normal maintenance and service or (b) any products or parts which have been subject to misuse, negligence, accident, improper maintenance or repair (other than by us), faulty installation or installation contrary to recommended installation instructions.

The duration of any implied warranty is limited to the one-year period as specified for the express warranty. Some states do not allow limitation on how long an implied warranty lasts, so the above limitation may not apply to you.

NUTONE'S OBLIGATION TO REPAIR OR REPLACE, AT OUR OPTION, SHALL BE THE PURCHASER'S SOLE AND EXCLUSIVE REMEDY UNDER THIS WARRANTY. NUTONE SHALL NOT BE LIABLE FOR INCIDENTAL, CONSEQUENTIAL OR SPECIAL DAMAGES ARISING OUT OF OR IN CONNECTION WITH PRODUCT USE OR PERFORMANCE. Some states do not allow the exclusion or limitation of incidental or consequential damages, so the above limitations or exclusion may not apply to you.

This warranty gives you specific legal rights, and you may also have other rights, which vary from state to state. This warranty supersedes all prior warranties.

To qualify for warranty service, you must (a) notify us at the address or telephone number below, (b) give the model number and part identification and (c) describe the nature of any defect in the product or part. At the time of requesting warranty service, you must present evidence of the original purchase date.

**NuTone, Inc.**  
 4820 Red Bank Road  
 Cincinnati, OH 45227  
 (1-800-543-8687)



Product specifications subject to change without notice.  
 4820 Red Bank Road, Cincinnati, Ohio 45227  
 Printed in U.S.A., 11/01, Part No. 99044026A