

Wall Heaters

MODELS: 9315T, 9315XT

SAFETY INSTRUCTIONS

Carefully read all instructions and product labels before beginning installation. Only mount the heater in a vertical position. Mount the heater by setting the unit on the sub-plate on the wall. Do not mount the heater over a bathtub or in a shower stall enclosure. When mounted, the heater should not be closer than 6" to an adjacent wall. Do not block the wall heater – i.e., by mounting under a towel rack, behind a door, etc.

ELECTRICAL SPECIFICATIONS

MODEL	ELEMENT WATTS	TOTAL WATTS	VOLTS, 60Hz
9315T	750/1500	800/1550	120
9315XT	750/1500	800/1550	240

NOTE: The heater is wired (shipped from the factory) for 1500 watts. The wattage may be reduced to 750 watts by disconnecting the red wire (on 240 volt unit) or the black wire (on 120 volt unit) as illustrated in Figures 4 and 5.

UNIT DIMENSIONS

Housing: 8 $\frac{3}{8}$ " high x 11 $\frac{1}{2}$ " wide x 3 $\frac{3}{8}$ " deep.

Grille: 9 $\frac{3}{8}$ " high x 12" wide x $\frac{5}{8}$ " deep.

Wall Cutout: 8 $\frac{1}{4}$ " L x 11" W.

MOUNTING THE HOUSING

(New Construction)

Refer to Figure 1

1. Choose heater location. Make sure the heater will not be mounted closer than 6" from a vertical surface.
2. Set the mounting guides (2) for desired wall thickness.
NOTE: Plaster flange must be flush with finished wall. Place the mounting guides against the wall stud. When the finished wall is installed, the wall surface will fit between the mounting guide bracket and the plaster flange.
3. Using nails or screws, mount the feet of the unit to the sub-plate stud. The flange must be flush to the finished plaster line.
4. Run wiring from circuit breaker or fuse box to wall switch (not provided) then to heater location.
5. Install box connector into wiring entrance hole in housing's junction box.
6. Pull wiring through entrance hole and secure cable to box connector. Allow 6" of wiring to make connections.
7. Finished wall opening should be 8 $\frac{1}{4}$ " high x 11" wide.

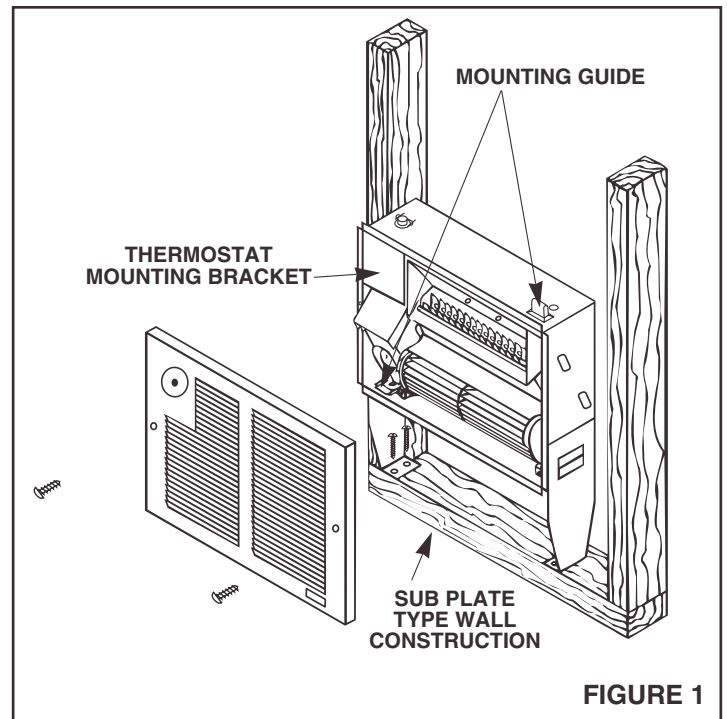


FIGURE 1

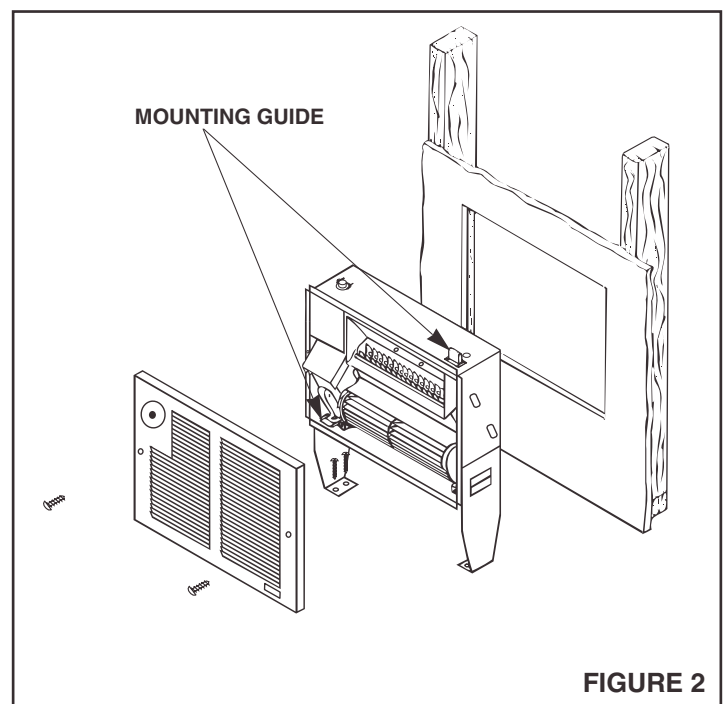


FIGURE 2

Existing Construction

1. Choose heater location. make sure the heater will not be mounted closer than 6" from a vertical surface or 5" from the floor.
2. **Refer to Figure 2.** Make wall cutout next to a wall stud. Cutout size: 8 1/8" high x 11" wide.
NOTE: Cutout must be 4 5/8" above inside of wall.
3. **Refer to Figure 3.** Remove thermostat mounting bracket and disconnect wiring terminal from the thermostat to heater unit. Remove the four (4) screws securing the unit to the housing. Run wiring from circuit breaker or fuse box to wall switch (not provided) then to heater location.
4. Install box connector into wiring entrance hole in housing's junction box.
5. Pull wiring through cutout and secure cable to box connector. Allow 6" of wiring to make connections.
6. Insert bottom of housing into cutout first. Push unit down into position.
7. Re-install the mounting guides and secure to wall as illustrated in Figure 3. **IMPORTANT: The wall surface will fit between the mounting guide bracket and the plaster flange. The housing's flange must be flush with the finished plaster line.**

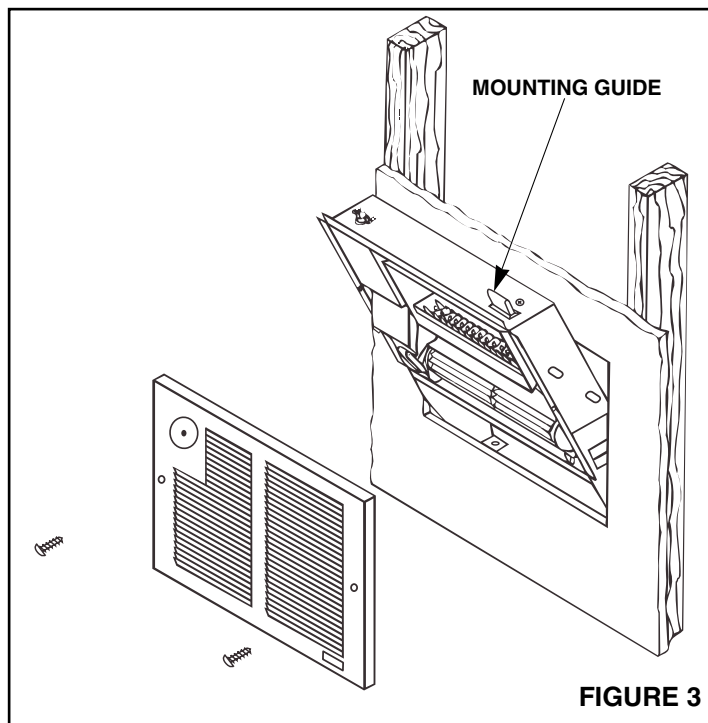


FIGURE 3

WIRING CONNECTIONS

All wiring must be in compliance with local and national electrical codes.

1. **Refer to Figures 4 and 5.** Reconnect thermostat wire from heater unit. make wiring connections in junction box: black supply wire to black lead from thermostat and white to white or red to red. Connect ground wire to green ground screw in junction box.
2. Make connections with listed wire nuts and insulate with electrical tape.
3. Dress all wiring back into junction box and replace thermostat mounting bracket.

MOUNTING THE GRILLE

1. Locate center holes in housing flange and align with mounting holes in grille. Secure to housing with two screws provided.
2. Install thermostat knob.

OPERATION

Turn wall switch on and turn thermostat fully clockwise to high position. Allow heater to run until room is at desired temperature. Adjust thermostat as required to maintain desired temperature.

Thermal protector: If for any reason temperatures increase beyond normal limits, a safety thermal fuse will shut heater off. The heater will require servicing by a qualified electrician.

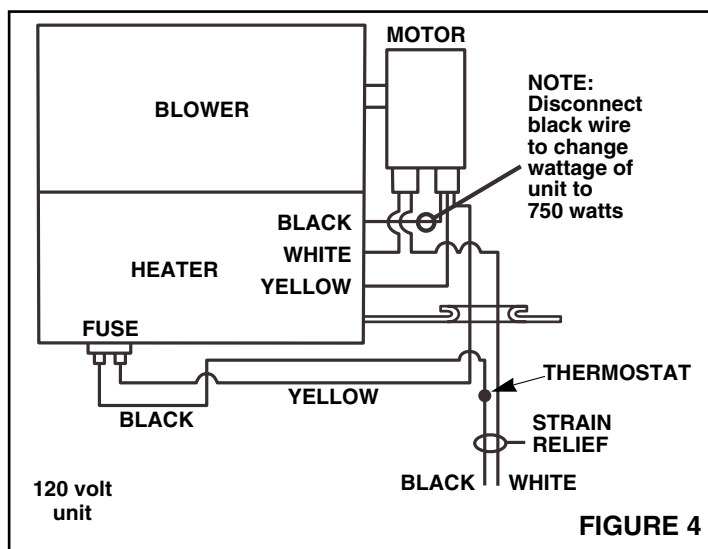


FIGURE 4

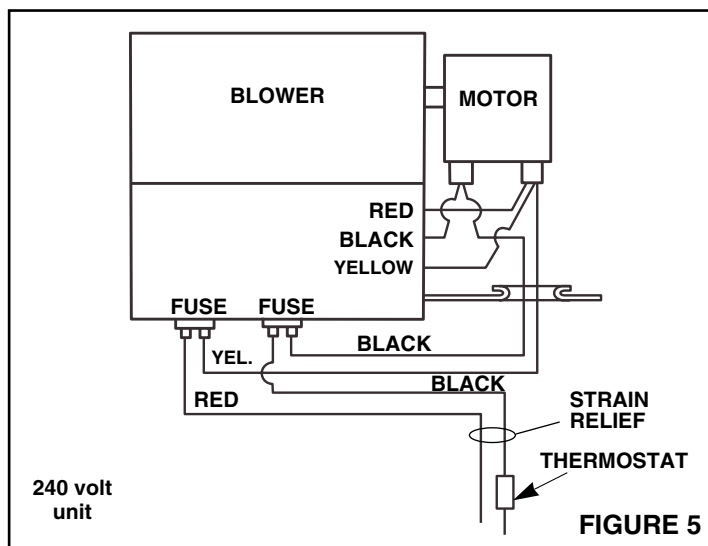


FIGURE 5

Product specifications subject to change without notice.

NuTone

4820 Red Bank Road, Cincinnati, Ohio 45227
Printed in U.S.A., Rev. 05/01, Part No. 37958