

Heat-A-Ventlite® (with Night Light)

MODEL: 9965F

FOR BEST RESULTS

In a new construction site, install the housing (complete with heater and ventilator) during rough-in construction of the building. The light assembly and the grille should be installed when the finished ceiling is in place.

Installation in an existing, finished building requires an accessible area (attic or crawl space) above the planned location. See "INSTALLATION IN EXISTING CONSTRUCTION."

Do not install closer than 12 inches to a vertical surface. Do not install over tub or shower enclosure.

UNIT DIMENSIONS

Refer to Figure 1 for housing's dimensions.

NOTE: If there will be a finished second floor above, the Model 9965 housing requires a minimum of 2" x 8" joist construction for mounting.

WIRING AND DUCTWORK

1. Run the required wiring during rough-in stage of construction.
2. Total connected load: 1730 watts.
3. Plan to run 120vAC, 60 Hz wiring (with ground) on a separate 20 Amp circuit from a power source, through the provided wall switch, to the housing's junction box. See wiring diagram.
4. Use 4" round duct.

INSTALLATION IN NEW CONSTRUCTION

PREPARATION

1. Loosen hanger bar brackets to allow bars to be inserted.
2. Refer to Figure 2. Insert hanger bars into brackets.
3. Refer to Figure 3. Slide hanger bar brackets down to end of slot closest to outside edge of housing. Tighten brackets in this position.
4. Refer to Figure 4. Remove junction box cover by removing one screw.
5. Refer to Figure 4. Remove appropriate wiring knockout(s) and install approved box connector(s).

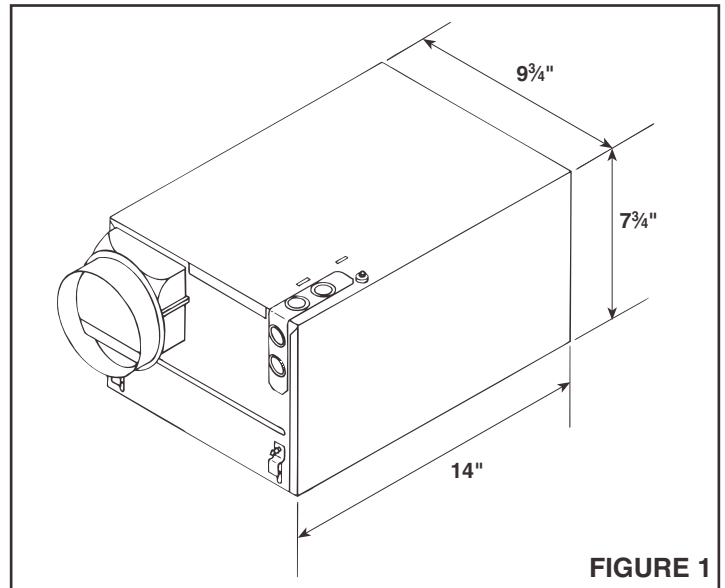


FIGURE 1

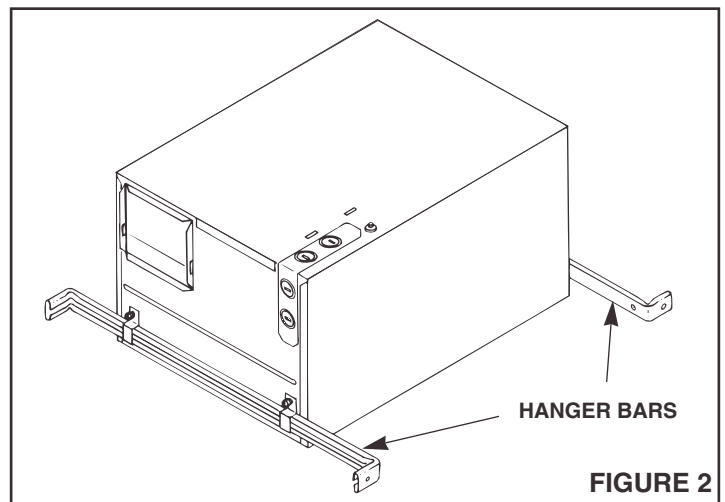


FIGURE 2

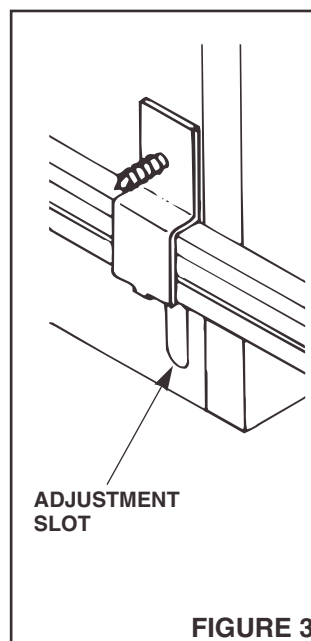


FIGURE 3

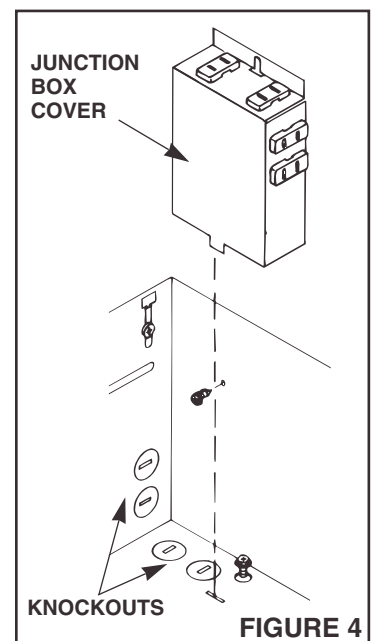


FIGURE 4

MOUNTING THE HOUSING

1. Locate housing between joists.
2. **Refer to Figure 5.** Using nails, secure hanger bars to joist.
NOTE: The hanger bar brackets are adjustable.
Allowing for the thickness of the finished ceiling, mount hanger bars so that edge of housing will be flush with the finished ceiling.
3. Adjust brackets as required. Tighten brackets.

INSTALLING THE DUCTWORK

1. **Refer to Figure 5.** Install duct collar.
2. Using 4" round duct, connect duct to collar and tape connection.

INSTALLING THE SWITCH

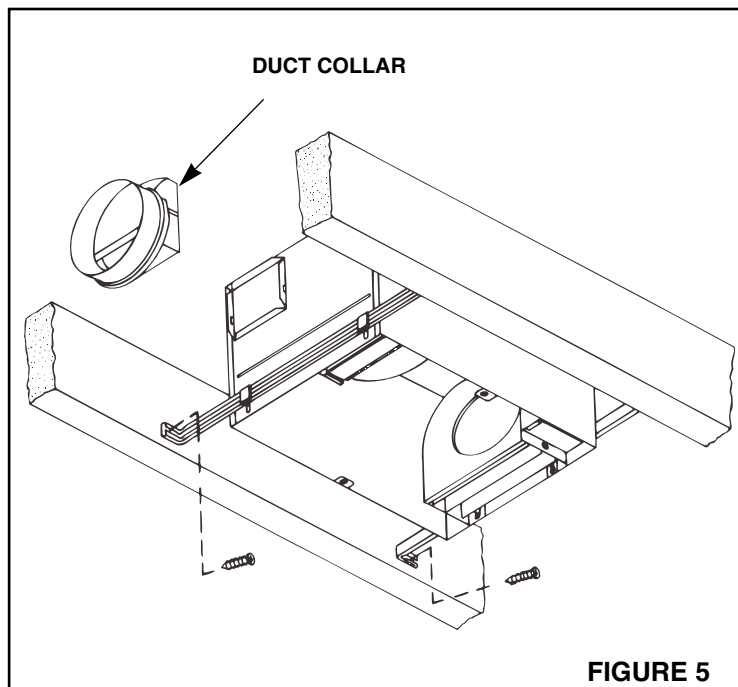
1. Install double-gang switch box in chosen location.
2. **Refer to Figure 6.** Run wiring and make wiring connections.
3. Use supplied screws to secure switch bracket assembly to switch box.
4. Using supplied screws, secure wall plate to switch bracket.

INSTALLING AND CONNECTING THE WIRING

Refer to Figure 6.

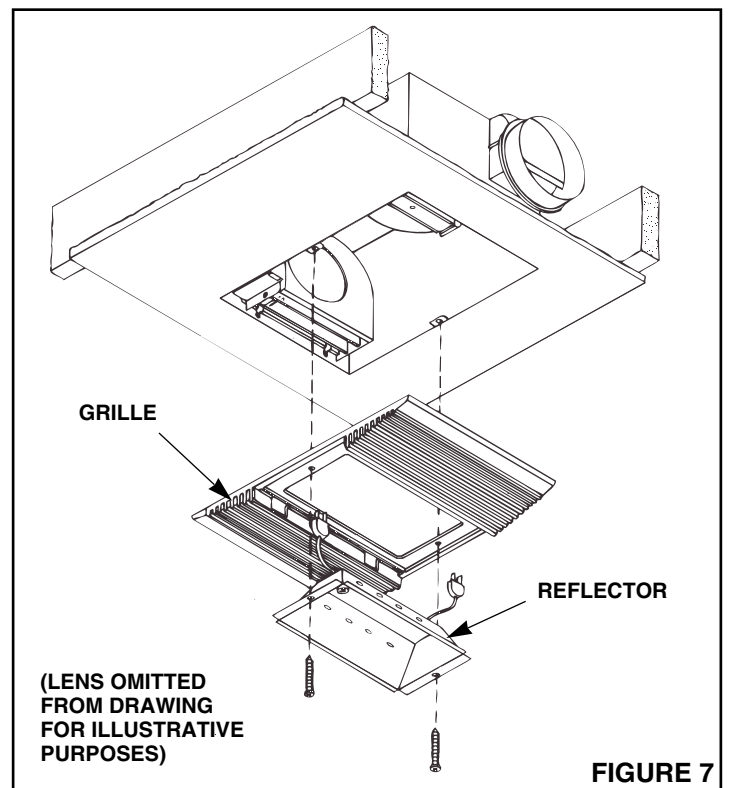
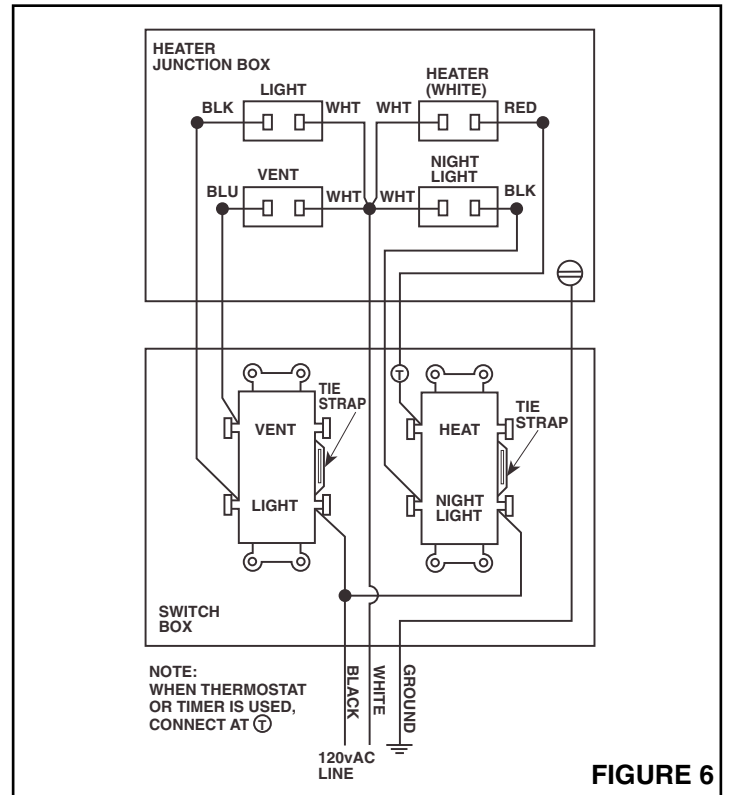
All wiring must comply with local codes and unit must be properly grounded.

1. Using 12-gauge wire, run 120vAC, 60 Hz wiring (with ground) from a power source to the wall switch location.
The unit must be wired on a separate 20 Amp circuit.
2. Run wiring from switch location to housing as shown in the wiring diagram.
3. Make wiring connections as shown in wiring diagram.
4. Replace junction box cover. Slide slotted hole in cover over screw. Tighten screw securely.
5. Secure wire cover with one screw.
6. Insert heater and ventilator plugs into proper receptacles as shown.



MOUNTING THE GRILLE ASSEMBLY

1. **Refer to Figure 7.** Place the reflector into the grille.
2. **Refer to Figure 8.** Insert light plug and night light plug into receptacles.
3. **Refer to Figure 7.** Using two provided screws, secure grille and reflector to housing.
4. Install 26 watt fluorescent lamps (NEMA TYPE CFQ26W/G24D) and 7 watt, type C night light.
5. **Refer to Figure 9.** Snap lens into place.



INSTALLATION IN EXISTING CONSTRUCTION

In an existing, finished building, installation of the Heat-Vent-Light Combination requires an accessible area (attic or crawl space) above the planned location. If the location that has been chosen for installation has a finished floor above it, be certain there is sufficient space available to install the housing and make the necessary duct connection.

PLANNING

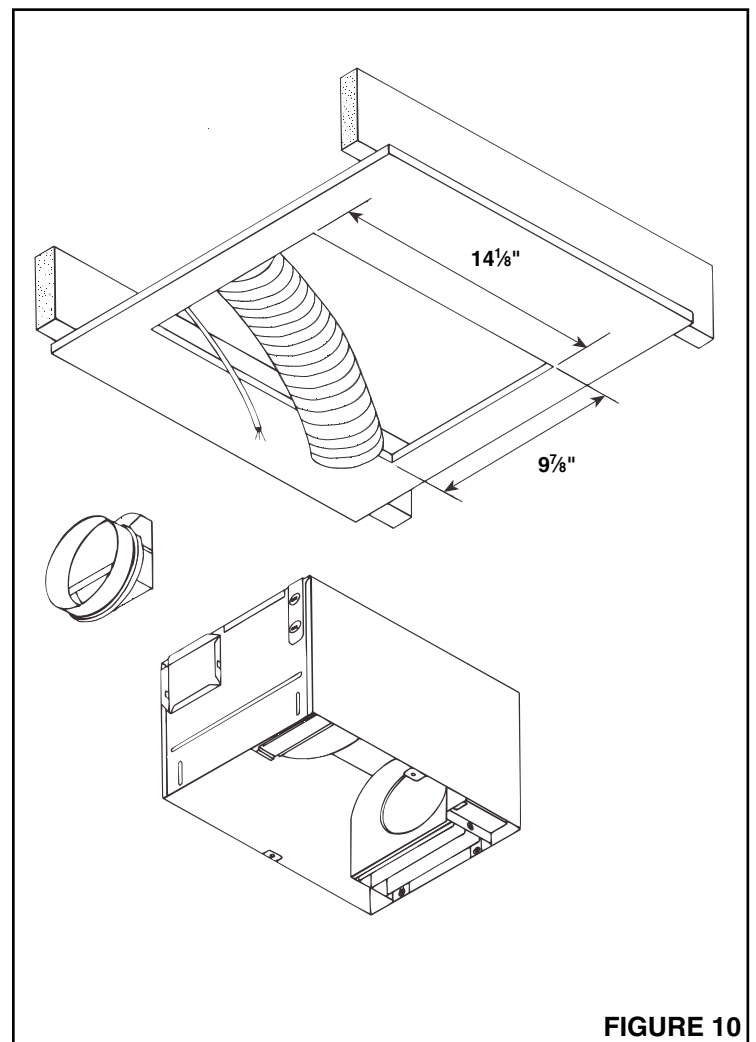
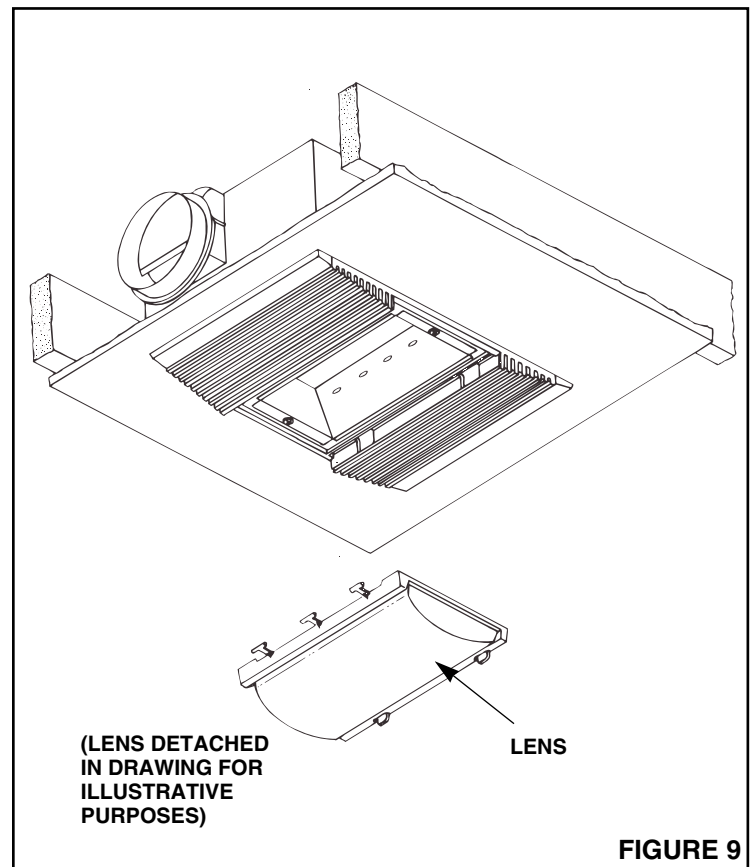
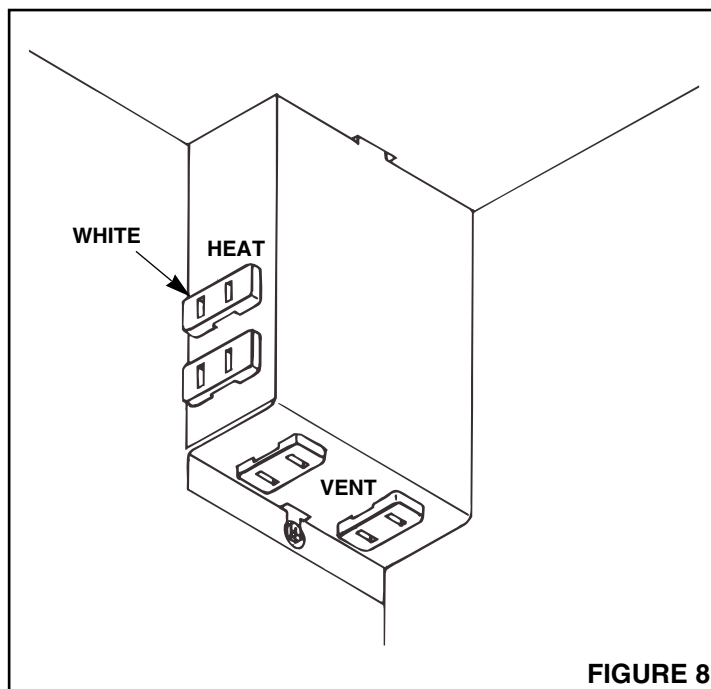
Review "INSTALLATION IN NEW CONSTRUCTION" and follow all instructions that apply.

CAUTION: Check the area above the planned location to make sure that:

- (1) Ducting can be installed.
- (2) Wiring can be run to the planned location.
- (3) No wiring or other obstructions might interfere with the installation.

INSTALLATION

1. The housing must be mounted between ceiling joists.
2. **Refer to Figure 10.** Mark ceiling for cutout. Cutout dimensions: $14\frac{1}{8}$ " long x $9\frac{7}{8}$ " wide. Make cutout in ceiling.
3. Follow steps under "PREPARATION" page 1.
4. From above, lower housing into the cutout and secure hanger brackets. Install duct collar, connect duct, and run wiring through box connectors.
5. From below, adjust housing so that it is flush with the finished ceiling.
6. From below, make wiring connections as shown in figure 6.
7. Replace junction box cover.
8. Insert heater, ventilator, light, and night light plugs into proper receptacles.
9. install grille, reflector and lens.



NuTone®

One Year Limited Warranty

WARRANTY OWNER: NuTone warrants to the original consumer purchaser of its products that such products will be free from defects in materials or workmanship for a period of one (1) year from the date of original purchase. **THERE ARE NO OTHER WARRANTIES, EXPRESS OR IMPLIED, INCLUDING, BUT NOT LIMITED TO, IMPLIED WARRANTIES OF MERCHANTABILITY OR FITNESS FOR A PARTICULAR PURPOSE.**

During this one year period, NuTone will, at its option, repair or replace, without charge, any product or part which is found to be defective under normal use and service. **THIS WARRANTY DOES NOT EXTEND TO FLUORESCENT LAMP STARTERS OR TUBES, FILTERS, DUCT, ROOF CAPS, WALL CAPS AND OTHER ACCESSORIES FOR DUCTING.** This warranty does not cover (a) normal maintenance and service or (b) any products or parts which have been subject to misuse, negligence, accident, improper maintenance or repair (other than by NuTone), faulty installation or installation contrary to recommended installation instructions.

The duration of any implied warranty is limited to the one year period as specified for the express warranty. Some states do not allow limitation on how long an implied warranty lasts, so the above limitation may not apply to you.

NUTONE'S OBLIGATION TO REPAIR OR REPLACE, AT NUTONE'S OPTION, SHALL BE THE PURCHASER'S SOLE AND EXCLUSIVE REMEDY UNDER THIS WARRANTY. NUTONE SHALL NOT BE LIABLE FOR INCIDENTAL, CONSEQUENTIAL OR SPECIAL DAMAGES ARISING OUT OF OR IN CONNECTION WITH PRODUCT USE OR PERFORMANCE. Some states do not allow the exclusion or limitation of incidental or consequential damages, so the above limitation or exclusion may not apply to you. This warranty gives you specific legal rights, and you may also have other rights, which vary from state to state. This warranty supersedes all prior warranties.

WARRANTY SERVICE: To qualify for warranty service, you must (a) notify NuTone at the address stated below or telephone 1/800-543-8687, (b) give the model number and part identification and (c) describe the nature of any defect in the product or part. At the time of requesting warranty service, you must present evidence of the original purchase date.

Date of Installation

Builder or Installer

Model No. and Product Description

IF YOU NEED ASSISTANCE OR SERVICE:

For the location of your nearest NuTone Independent Authorized Service Center:

Residents of the contiguous United States Dial Free 1-800-543-8687

Please be prepared to provide:

Product model number • Date and Proof of purchase • The nature of the difficulty

Residents of Alaska or Hawaii should write to: NuTone Inc. Attn: Department of National Field Service, 4820 Red Bank Road, Cincinnati Ohio 45227-1599.

Residents of Canada should write to: Broan-NuTone Canada, 1140 Tristar Drive, Mississauga, Ontario, Canada L5T 1H9.

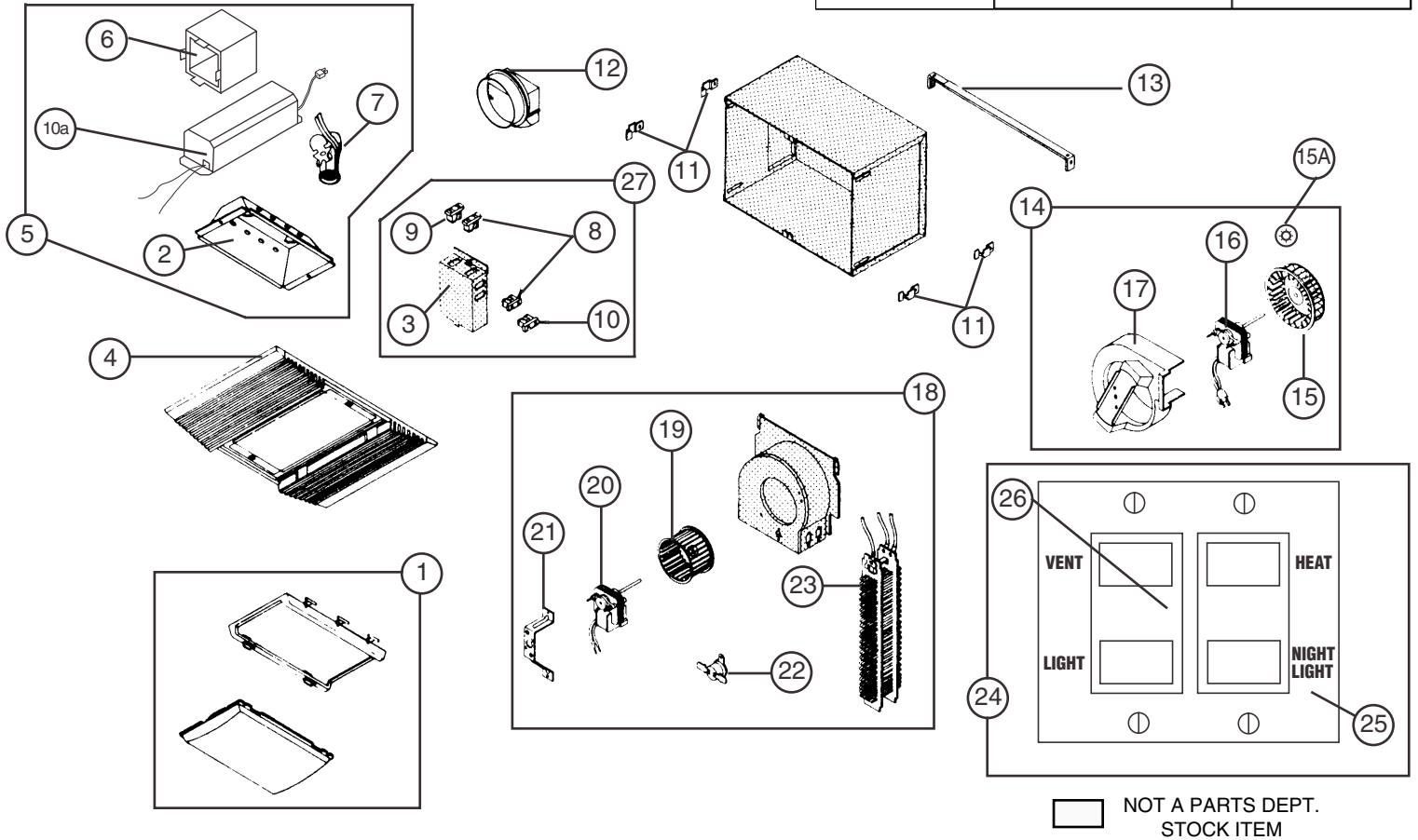
Rev. 03/2001

Product specifications subject to change without notice.

4820 Red Bank Road, Cincinnati, OH 45227
Printed in U.S.A., Revised 03/2001, Part No. 89379

PARTS LIST

EFFECTIVE DATE	MODEL NUMBER	PRODUCT GROUP
JULY 1999	9965F	HEATER

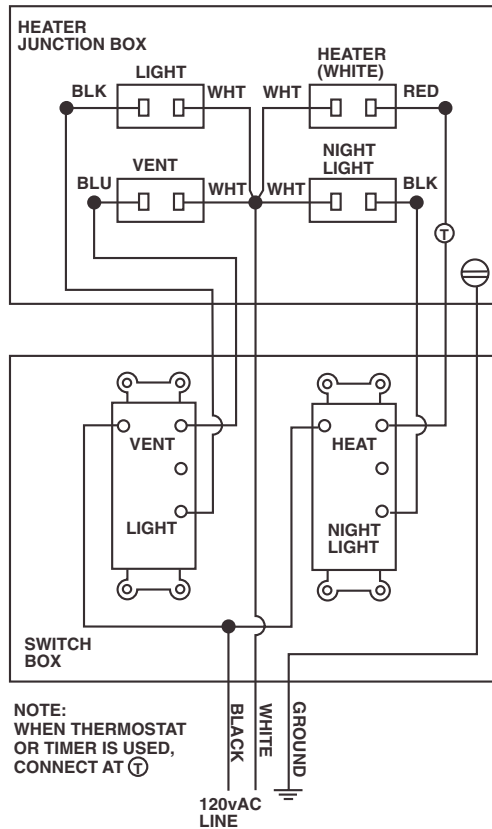


REF. NO.	ORIGINAL PART NO.	*PART DESCRIPTION	REPLACEMENT PART NO.
1	89340	BEZEL/LENS ASSEMBLY	89340-000
2	89375	REFLECTOR	89375-000
3	89304	JUNCTION BOX COVER	89304-000
4	89339	GRILLE ASSEMBLY	89339-000
5	89373	REFLECTOR ASSEMBLY	89373-000
6	85978	SOCKET-FLUORESCENT	85978-000
7	89377	SOCKET-SMALL	89377-000
8	66204	RECEPTACLE-BLACK	66204-000
9	57976	RECEPTACLE-BLUE WIRE	57976-000
10	56721	RECEPTACLE-WHITE	56721-000
10a	89378	BALLAST	89378-000

(PLEASE SEE OTHER SIDE)

NOTE: Always order by current part number.

REF. NO.	ORIGINAL PART NO.	*PART DESCRIPTION	REPLACEMENT PART NO.
11	57117	MOUNTING BRACKET (1)-4 Required	57117-000
12	30652	DUCT ADAPTOR	30652-000
13	85585	HANGER ROD ASSEMBLY	85585-000
14	86693	"B" UNIT ASSEMBLY-VENT	86693-000
15	68739	BLOWER WHEEL	82403-000
15A	82404	PUSH NUT	82404-000
16	89321	MOTOR (VENT)	89321-000
17	2908A	SCROLL (PLASTIC)	2908A-000
18	89306	"B" UNIT ASSEMBLY (HEAT)	89306-000
19	66583	BLOWER WHEEL (HEAT)	66583-000
20	89315	MOTOR (HEAT)	89315-000
21	23255	MOTOR BRACKET	23255-000
22	1179A	THERMAL PROTECTOR	1179A-000
23	89312	HEATING ELEMENT	89312-000
24	85918	SWITCH ASSEMBLY COMPLETE - HARDWARE BAG ASSEMBLY	85918-000
25	85920	SWITCH PLATE	85920-000
26	85921	SWITCH DOUBLE - 15 AMP (2 REQ.)	85921-000
*	89323	GRILLE SCREW SET (2) NOT SHOWN	89323-015



NOTE: Always order by current part number.

9965F I.I.