


Ironing Center Doors

Models: AVC-M, AVC-RP and AVC-W


Designed to be used with NuTone Ironing Center cabinets (sold separately).

Model AVC-M

■ Package #1 consists of:


- Garment hook, mounting plate and two (2) mounting screws
- Striker plate and three (3) mounting screws
-  Nine (9) No. 6-20 x 3/8 phillips head 'B' for securing the mirrored door to the hinges

■ Package #2 consists of:

-  Three (3) hinges with nine (9) No. 6⁵/₈ phillips flat head 'A' for securing hinges to cabinet body
- Magnetic catch with two (2) screws
- Nine (9) expansion-type fasteners
- Three (3) decorative plugs

Models AVC-RP and AVC-W

■ Package #1 consists of:

- Garment hook, mounting plate and two (2) mounting screws
- Striker plate and three (3) mounting screws
-  Eighteen (18) No. 6⁵/₈ phillips flat head 'A' for securing the wood door to the hinges

■ Package #2 is the same as Model AVC-M

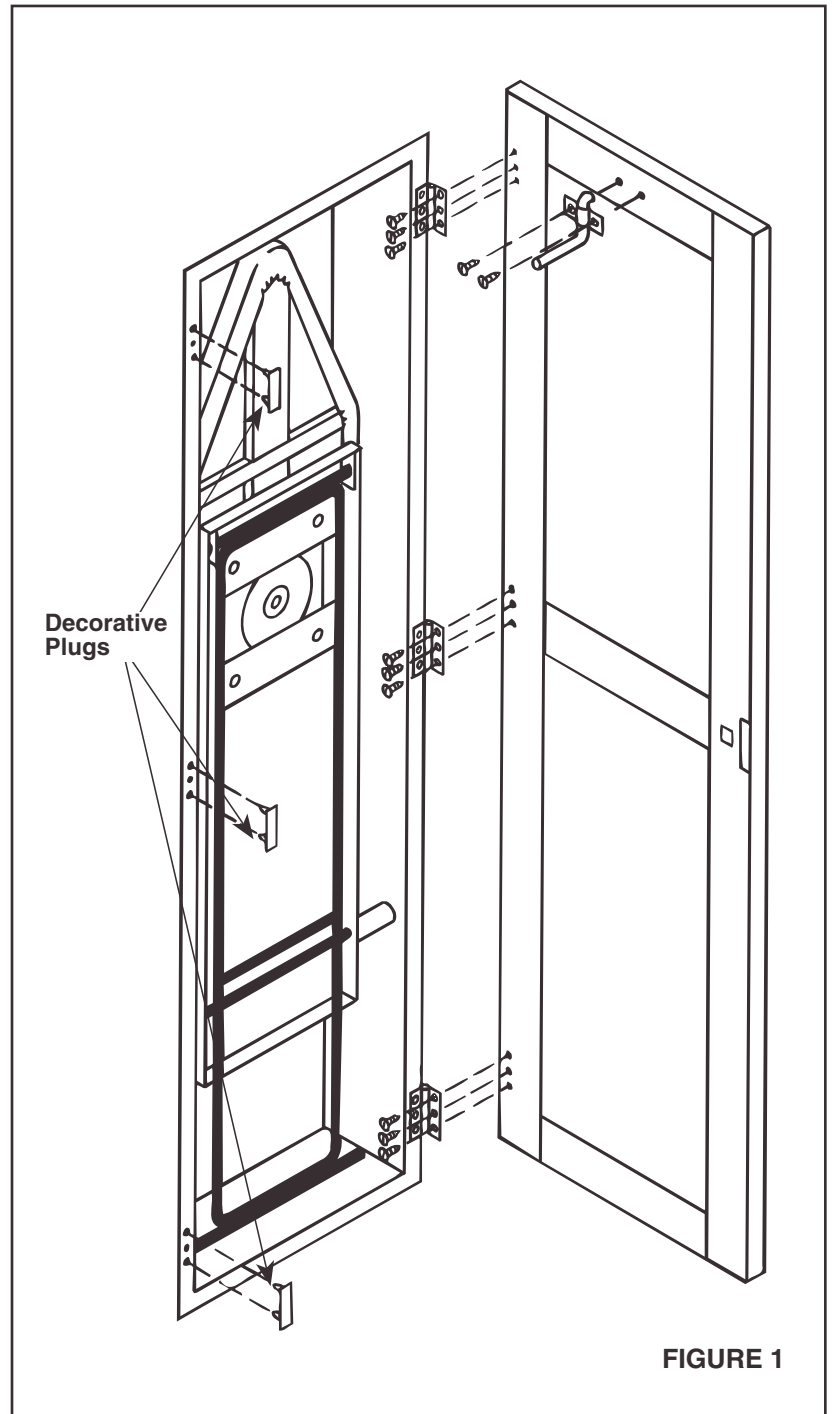
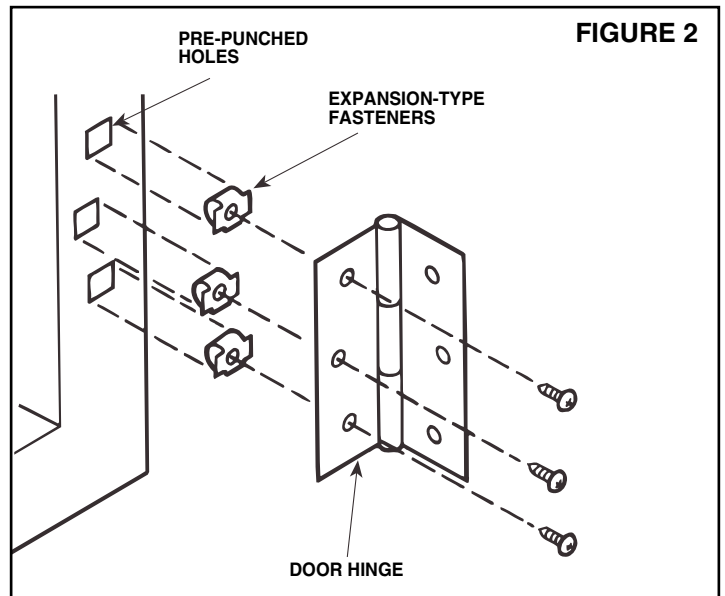


FIGURE 1

ASSEMBLY

1. The door may be hinged from the right or left side of the cabinet. **NOTE:** Both sides of the cabinet have been pre-punched for door hinges. As illustrated, mount the door to the cabinet using the fasteners, hinges and screws supplied. **IMPORTANT:** As illustrated in Figure 2, the expansion-type fasteners must be inserted into each of the three (3) sets of pre-punched holes before screwing the hinges into the Ironing Center. **IMPORTANT: DO NOT over tighten the mounting screws; use caution if a powered screwdriver is used.**
2. Place the decorative "plugs" in the other side of the cabinet to mask the extra set of pre-punched holes.

NOTE: Apply sealer to wooden door surface before finishing.



NuTone®

One Year Limited Warranty

WARRANTY OWNER: NuTone warrants to the original consumer purchaser of its products that such products will be free from defects in materials or workmanship for a period of one (1) year from the date of original purchase. **THERE ARE NO OTHER WARRANTIES, EXPRESS OR IMPLIED, INCLUDING, BUT NOT LIMITED TO, IMPLIED WARRANTIES OF MERCHANTABILITY OR FITNESS FOR A PARTICULAR PURPOSE.**

During this one year period, NuTone will, at its option, repair or replace, without charge, any product or part which is found to be defective under normal use and service. **THIS WARRANTY DOES NOT EXTEND TO FLUORESCENT LAMP STARTERS OR TUBES, FILTERS, DUCT, ROOF CAPS, WALL CAPS AND OTHER ACCESSORIES FOR DUCTING.** This warranty does not cover (a) normal maintenance and service or (b) any products or parts which have been subject to misuse, negligence, accident, improper maintenance or repair (other than by NuTone), faulty installation or installation contrary to recommended installation instructions.

The duration of any implied warranty is limited to the one year period as specified for the express warranty. Some states do not allow limitation on how long an implied warranty lasts, so the above limitation may not apply to you.

NUTONE'S OBLIGATION TO REPAIR OR REPLACE, AT NUTONE'S OPTION, SHALL BE THE PURCHASER'S SOLE AND EXCLUSIVE REMEDY UNDER THIS WARRANTY. NUTONE SHALL NOT BE LIABLE FOR INCIDENTAL, CONSEQUENTIAL OR SPECIAL DAMAGES ARISING OUT OF OR IN CONNECTION WITH PRODUCT USE OR PERFORMANCE. Some states do not allow the exclusion or limitation of incidental or consequential damages, so the above limitation or exclusion may not apply to you. This warranty gives you specific legal rights, and you may also have other rights, which vary from state to state. This warranty supersedes all prior warranties.

WARRANTY SERVICE: To qualify for warranty service, you must (a) notify NuTone at the address stated below or telephone 1/800-543-8687, (b) give the model number and part identification and (c) describe the nature of any defect in the product or part. At the time of requesting warranty service, you must present evidence of the original purchase date.

Date of Installation

Builder or Installer

Model No. and Product Description

IF YOU NEED ASSISTANCE OR SERVICE:

For the location of your nearest NuTone Independent Authorized Service Center:

Residents of the contiguous United States Dial Free 1-800-543-8687

Please be prepared to provide:

Product model number • Date and Proof of purchase • The nature of the difficulty

Residents of Alaska or Hawaii should write to: NuTone Inc. Attn: Department of National Field Service, 4820 Red Bank Road, Cincinnati Ohio 45227-1599.

Residents of Canada should write to: Broan-NuTone Canada, 1140 Tristar Drive, Mississauga, Ontario, Canada L5T 1H9.

Rev. 03/2001

NuTone®

Product specifications subject to change without notice.

4820 Red Bank Road, Cincinnati, Ohio 45227
Printed in U.S.A., Rev. 3/2001, Part No. 35811