

## Auto-Reverse Cassette Player

### MODEL: CP-95

\*For use with all NuTone Radio-Intercom Systems.

The CP-95 Cassette Player may be used in new or existing construction installations.

### INSTALLATION

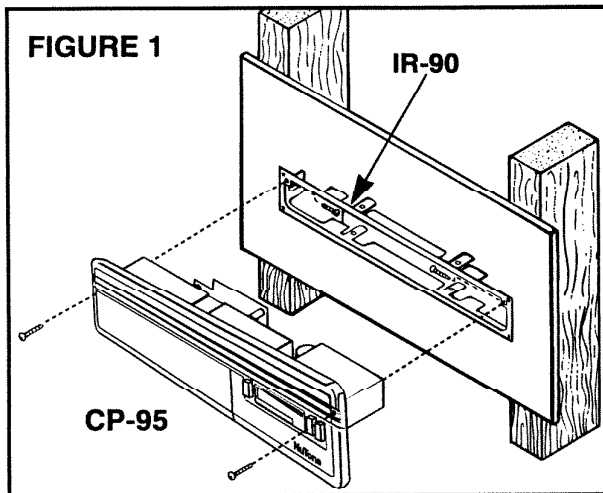
**NOTE:** The CP-95 should be mounted into the IR-90 Rough-In before the intercom master unit is installed.

**NOTE:** When the IR-90 is mounted either above or below the master rough-in, center the master rough-in on the IR-90.

For complete information regarding the installation of the IR-90 Rough-In Housing Frame refer to the instructions packaged with that unit.

Refer **Figure 1**.

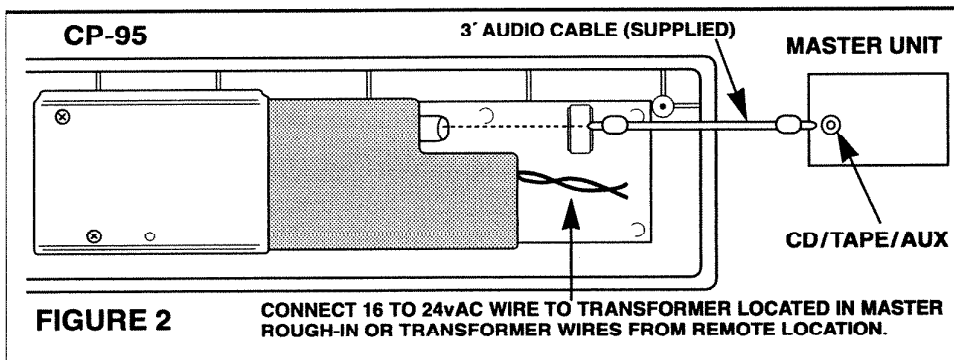
1. Plug one end of the supplied audio cable into the cassette player.
2. Feed 16 to 24vAC power wire and audio cable through the IR-90 Rough-In into the master rough-in.
3. For distances further than 2' (not to exceed 25') 16 to 24vAC power wire and shielded audio cable should have been installed when the rough-in was installed.



**NOTE:** Wire and shielded audio cable are not provided.

- (A) Connect 16 to 24vAC wire from cassette player to 16 to 24vAC power wire from the IR-90 with wire nuts (not provided.)
- (B) Connect audio cable from the IR-90 to cassette player.
4. Using two (2) screws supplied, mount the cassette player to the rough-in frame as illustrated.

\*When the cassette player is used with some older NuTone Radio-Intercom Systems, a separate 105T (16v, 15 watts) transformer must be used to power the cassette player.



## CABLE CONNECTION TO THE MASTER UNIT

Refer to Figure 2 for Radio-Intercom Models: IM-2003, IM-3003 or IM/IMA-4006 Series.

1. Plug the other end of the supplied audio cable into TAPE jack on the Master Unit (auxiliary on IM-2003 Series.)
2. Connect 16 to 24vAC power wire to the same point (105T in IR-103 Rough-In or wires from the remotely mounted 105T transformer) that the master power wire is connected.

### IM-3303

Refer to Figure 2 for Radio-Intercom Model IM-3303.

1. Plug the other end of the supplied audio cable into CD/tape jack on the master unit.
2. Connect 16 to 24vAC power wire to the **LEFT** 301T transformer in the IR-104 rough-in or wires from the remotely mounted 301T transformer that connect to the master power wires.

### IM-5000

Requires a NuTone 105T transformer.

Refer to Figure 2 for Intercom Model IM-5000.

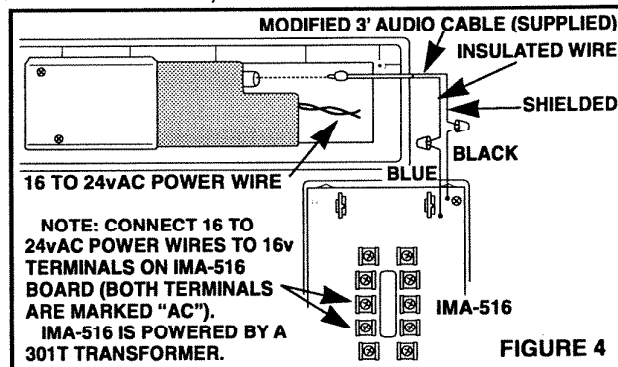
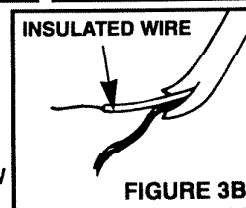
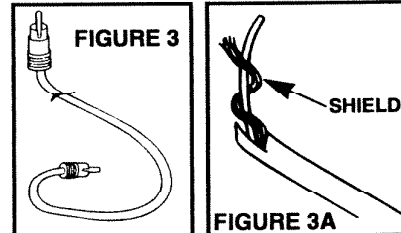
1. Plug the other end of the supplied audio cable into one of the radio jacks on the master unit. Leave the other radio jack open.
2. Connect 16 to 24vAC power wire to a remotely located 105T transformer (**do not connect to IM-5000 transformer**). Transformer should be located a minimum of 2 feet from the CP-95 and IM-5000 and a maximum of 50 feet from CP-95.

### IMA-516

Refer to Figures 3 and 4 for Model IMA-516.

**NOTE:** Audio cable supplied with the cassette player.

1. Refer to Figure 3. Clip one end off of the audio cable.
2. Refer to Figure 3A. Carefully strip this end of the cable.
3. Unwind the wire shield.
4. Refer to Figure 3B. Strip the insulated wire.
5. Locate the short low level (blue and black) wires on the IMA-516 board.
6. Refer to Figure 4. Connect the audio cable wires to the low level wires as follows: insulated wire to BLUE, shielded to BLACK. The preferred method is to solder and wrap each wire with electrical tape. If soldering is not possible, use wire nuts to secure the connections.
7. Connect 16 to 24vAC power wires to 16v transformer terminals on IMA-516.



Product specifications subject to change without notice.  
Madison and Red Bank Roads, Cincinnati, Ohio 45227  
Printed in China., 10/95, Part No. 86223

**NuTone**