



# BUILT-IN CENTRAL CLEANING SYSTEM

INSTALLATION INSTRUCTIONS FOR:  
MODELS: CV653 & CV750



<b>GENERAL INFORMATION</b> .....	2	Power Unit Installation .....	7
<b>PLANNING AND LAYOUT</b> .....	2	Dimensional Chart .....	7
Examples .....	2	Mounting .....	7
Locating the Power Unit.....	3	Tubing connections.....	7
Locating the Wall Inlets.....	3	Wiring.....	7
Tubing.....	3	<b>INSTALLATION IN</b>	
<b>INSTALLATION IN</b>		<b>EXISTING CONSTRUCTION</b> .....	8
<b>NEW CONSTRUCTION</b> .....	4	Planning and Layout .....	8
Wall Inlet Rough-In .....	4	Locating Access Keys.....	8
Installing the Tubing.....	4	Wall Inlet Installation .....	8
Tubing Installation.....	5	Model 330 Wall Inlet .....	10
Wall Inlet Installation .....	6	<b>FLOOR INLET INSTALLATION</b> .....	10
Model 360 Wall Inlet .....	6	<b>FINAL SYSTEM CHECK</b> .....	11
Model 330 Wall Inlet .....	6		

# GENERAL INFORMATION

The NuTone Central Cleaning System consists of a Power Unit, PVC Tubing, PVC Fittings, Wall Inlets, a flexible hose and various cleaning attachments.

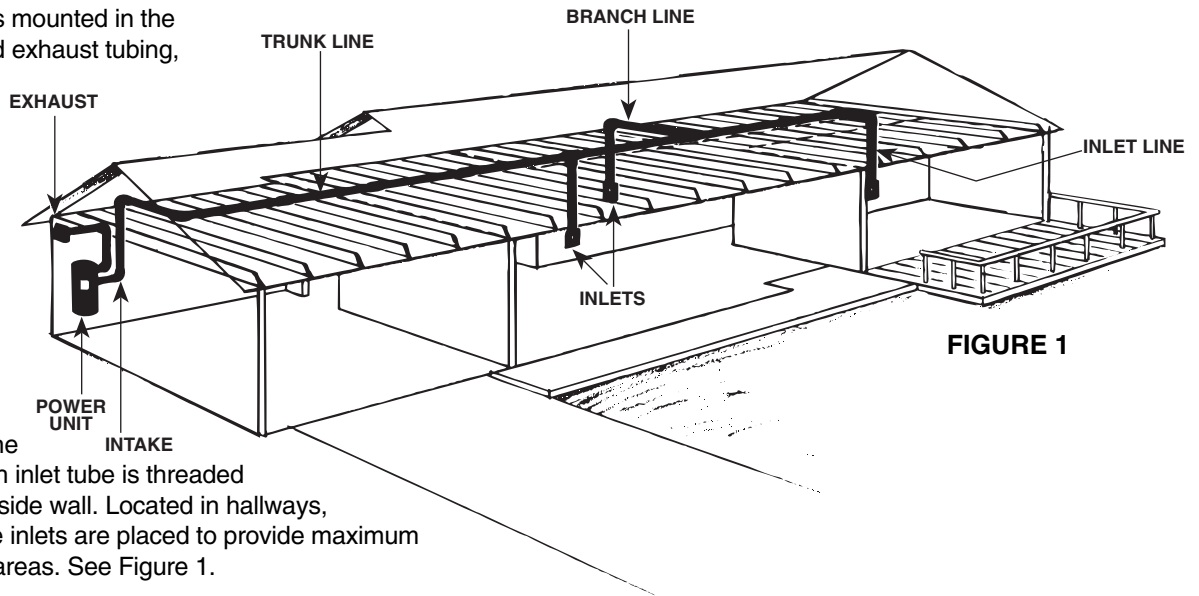
The Power Unit is designed to be wall-mounted away from the living area of the home and connected to the living area by means of permanently installed in-wall tubing and fittings.

# PLANNING AND LAYOUT EXAMPLES

As an aid in planning the installation in either new or existing construction, look at the following examples:

## THE RANCH STYLE HOUSE

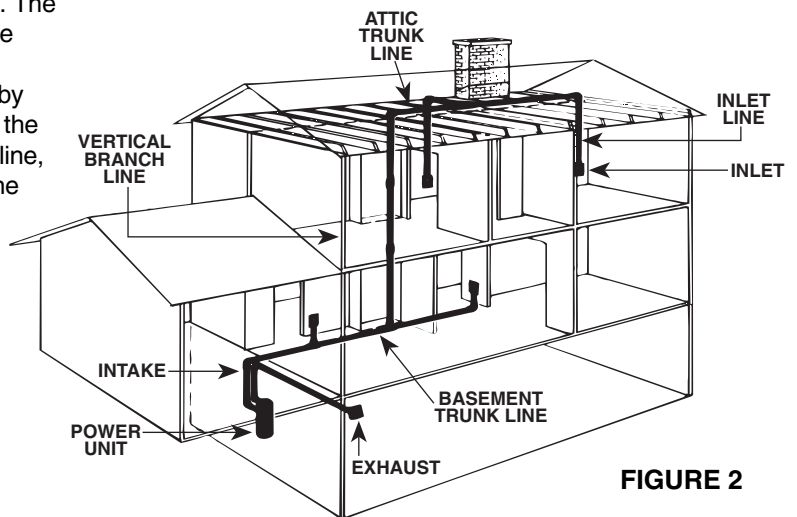
Here the power unit is mounted in the garage. The intake and exhaust tubing, the only exposed tubing in the installation, runs up the garage wall and into the attic. The trunk line runs horizontally through the attic from the power unit to the farthest inlet location. Branch lines spread throughout the attic, connecting the trunk line to the inlet tubing. Each inlet tube is threaded vertically through an inside wall. Located in hallways, and in large rooms, the inlets are placed to provide maximum access to all cleaning areas. See Figure 1.



## THE TWO-STORY HOUSE

In this installation, the power unit is mounted in the basement, conveniently located for shop use and messy cleaning jobs. The intake tubing runs up the basement wall and connects to the main trunk line, which runs along the unfinished basement ceiling. Two first-floor inlets are connected to the trunk line by vertical inlet lines run through interior walls. In the center of the house, a vertical branch line runs from the basement trunk line, through stacked closets, up into the attic. A second trunk line runs across the attic and two branch lines connect to inlet lines which are dropped down through upstairs interior walls. See Figure 2.

The double-trunk line system is commonly used in two-story houses. Finding the "key" to an accessible vertical area is the most important step in this kind of installation.



## THE SPLIT-LEVEL HOUSE

Like the two-story house, the split level installation commonly calls for a two-level trunk line. Here, the power unit is located in the garage. The intake tubing runs exposed up the garage wall and into the ground level section's attic. Two branch lines connect this part of the trunk line to inlet lines which are dropped inside interior walls. A vertical branch line runs to the upstairs attic, where the trunk line branches into a T-shape. This trunk line connects to two upstairs inlet lines and to one inlet line which drops through an upstairs wall and down into the third-level utility room to service this entire level. See Figure 3.

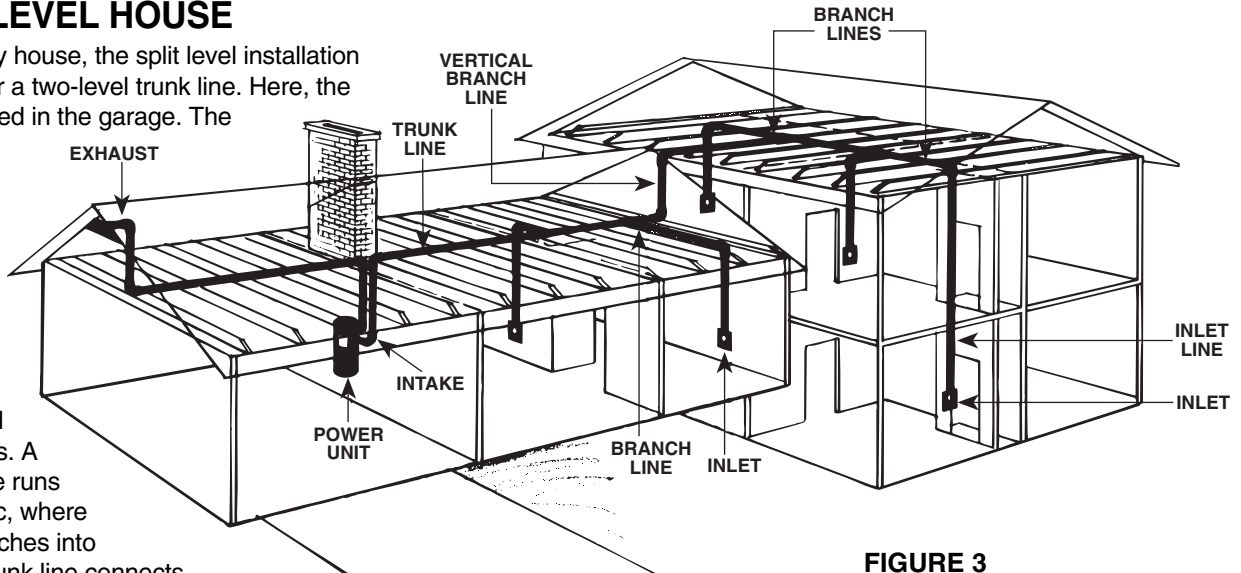


FIGURE 3

## LOCATING THE POWER UNIT

- Locate the power unit away from the general living area.
- When planning, remember the power unit is equipped with an inlet to service a garage, basement, utility room, etc., wherever it is located.
- Locate the power unit in an accessible area for changing the soil bag and periodically cleaning the secondary filter.
- Locate the power unit within six feet of a grounded electrical outlet. The power unit requires a 120v AC power source.
- Do not locate the power unit close to a source of extreme heat (i.e., water heater) or in an area with a high ambient temperature (i.e., attic, furnace room).

- If the power unit is located in a closet or a small utility room, make sure the area is well-ventilated (i.e., with door louvers).
- The power unit should be exhausted to the outside. The exhaust should not be vented into a wall, a ceiling or a concealed space in the house. The exhaust line should be terminated outside the home, using Model 393 Wall Cap or a roof vent.

**WARNING: Power unit must not be mounted in a high ambient temperature area such as attic, furnace room, etc.**

## LOCATING THE WALL INLETS

- Locate inlets on interior walls.
- Choose central locations which allow several rooms to be cleaned from a single inlet.
- Locate inlets centrally so that a maximum area can be cleaned with the 30 foot hose.

- Locate inlet within six feet of an electrical outlet to allow use of optional current-carrying hose.
- Be sure tubing will not obstruct electrical, plumbing or other mechanical installation.
- Be sure inlets will not be blocked by doors or furniture.

## TUBING

- The installation should consist of a main trunk line running from the farthest wall inlet to the power unit location, with branch lines running to each additional inlet. Beginning at the area farthest from the power unit, choose a tentative inlet location. Measure 30 feet (for the 30-foot hose) from the proposed inlet location to the farthest corner of the rooms to be cleaned by that inlet to determine if inlet location is proper.
- Move tentative inlet location if necessary. Use the same procedure to determine each additional inlet location, always working toward the power unit.

- Generally, an installation will require 3 to 4 inlets and 16 to 20 feet of tubing per inlet. It is suggested that a floor plan be used to more accurately determine the quantity of materials needed.

**NOTE: Conventional metal or plastic strapping should support the exhaust tubing when a muffler is used, or at the joints of long runs of tubing where another means of support is not available.** Model CF-380 Pipe Support is available for this purpose.

# INSTALLATION IN NEW CONSTRUCTION

## WALL INLET ROUGH-IN

1. Once the locations for wall inlets have been determined, mount all inlet brackets.
2. To locate bracket on wall stud, measure approximately 18" up from finished floor level. (Height may vary according to individual preference.)

### MODEL 361 (FOR USE WITH 360 INLETS)

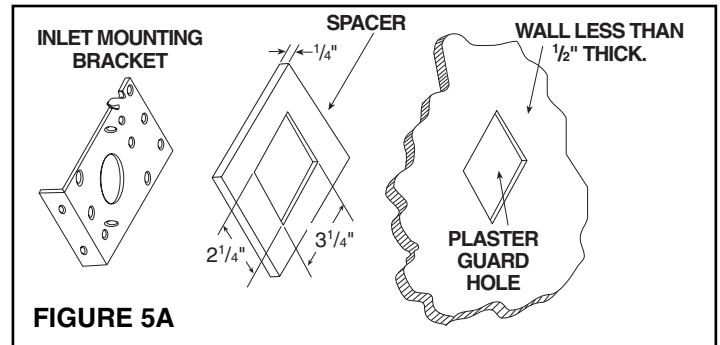
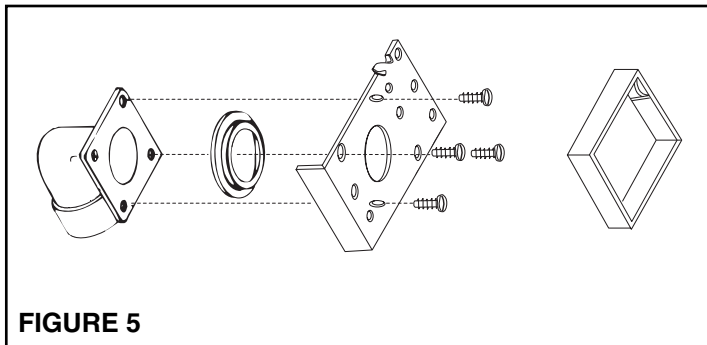
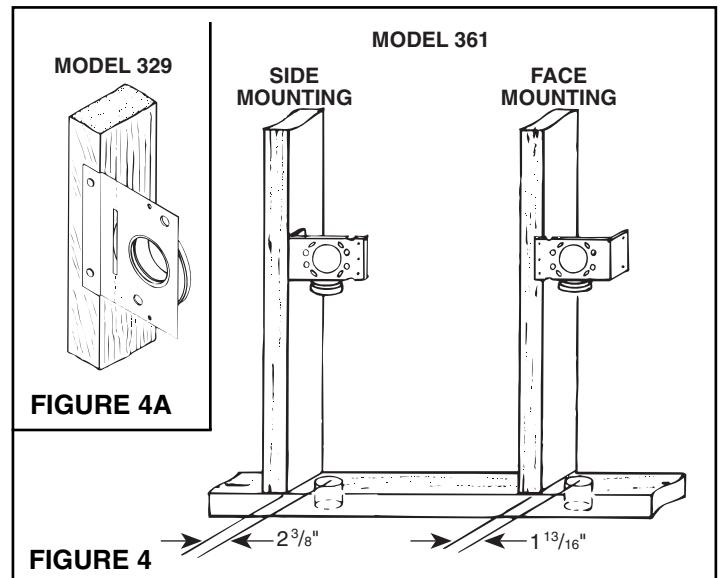
3. Refer to Figure 4. Nail bracket to side of stud so that front edge of bracket is flush to front of stud. (The bracket may also be nailed to the front edge of the stud. For front stud mounting, use locating tabs on bracket for proper alignment.)
4. Refer to Figure 5. Remove cardboard from plaster guard frame. Using four (4) provided screws, attach the appropriate flanged fitting and inlet seal to back of inlet.
5. Replace cardboard in plaster guard frame.

### MODEL 329 (FOR USE WITH 330 INLETS)

When using Model 329, glue elbow to mounting plate. Attach to stud as shown in Figure 4A.

**NOTE: When using the Model 361 inlet bracket on walls thinner than 1/2", use a 1/4" spacer (not furnished) between the wall and the inlet bracket. See Figure 5A.**

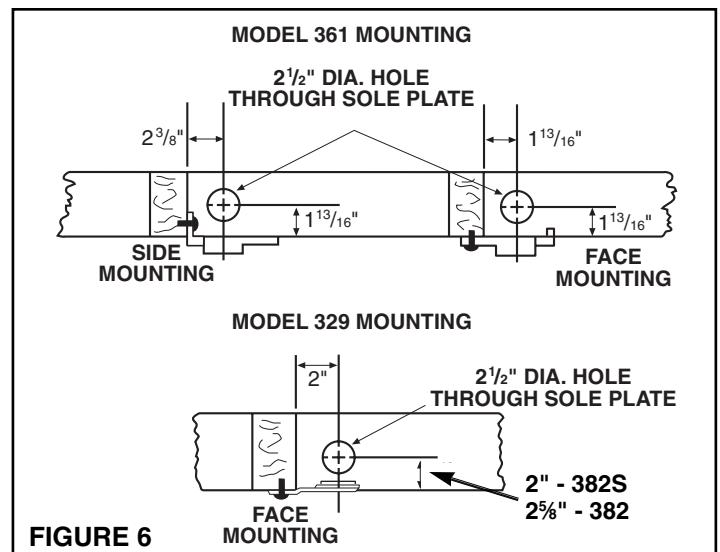
Spacer may be made from plywood, Masonite™, etc. Contact cement may be used to hold spacer in place during assembly. Configuration of spacer may vary depending upon installation.



## INSTALLING THE TUBING

Use the following installation guidelines when installing tubing.

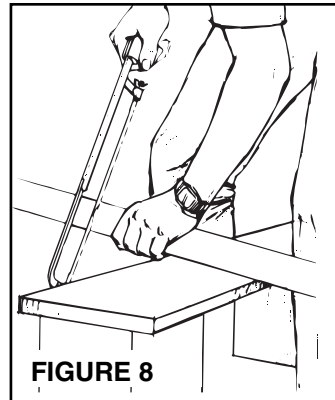
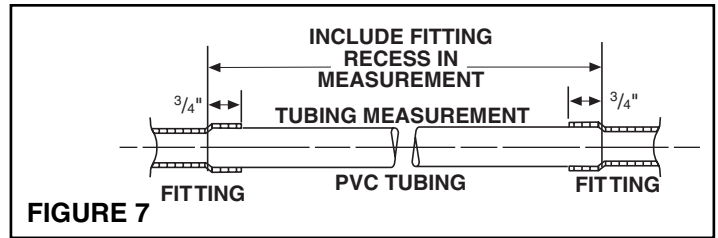
1. Start tubing installation at farthest inlet and work toward the power unit.
2. Tubing run to the power unit should be as straight as possible.
3. When assembling sections with elbows and tees, make sure the curve in the fitting is aligned so that the air flows toward the power unit.
4. Branch lines should always join the trunk line from above or from the same level. Never join a branch line from an angle below the trunk line.
5. Secure tubing to joists or studs.
6. Refer to Figure 20 on page 7. Run low voltage wiring and secure wiring to tubing. Leave approximately 6" of wire for connection to each inlet.



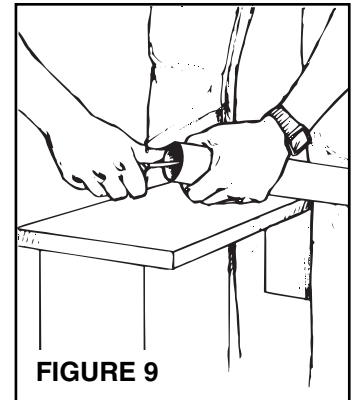
## TUBING INSTALLATION

1. Cut a 2½" diameter hole in sole plate, header or stud directly in line with opening of inlet bracket fitting. **Note Figures 6 and 4 for center line dimensions.**
2. Refer to Figure 7. Measure length of tubing needed to connect inlet to trunk line. Allow approximately ¾" of tubing for inserting into fittings.
3. Refer to Figure 8. Cut tubing, keeping cut square.
4. Refer to Figure 9. Remove burrs from both inside and outside of tubing.
5. Before cementing, pre-assemble section to inlet fitting, check for proper length.
6. Refer to Figure 10. Apply cement (Model 379) to outside of tubing. Coat tubing approximately 1" back. Take care to keep cement from inside of tube.
7. Refer to Figure 11. Insert tubing into fitting with a twisting motion to evenly spread cement. Be sure tubing is firmly seated in fitting.
8. If fittings have been attached to tubing at the end opposite the inlet bracket, be sure alignment is proper before cement sets.
9. Refer to Figure 12. Low voltage wiring (Model 376-UL) should be completed as tubing is installed. Tape wire to tubing to hold in place and insert through hole in inlet bracket.

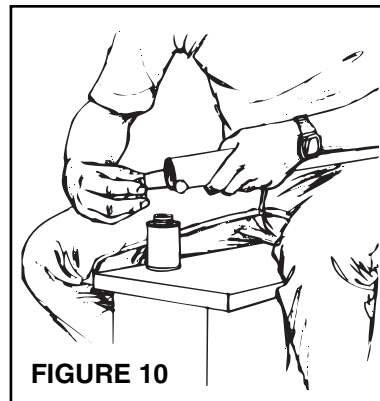
**Caution:** When tubing is run through the wall stud, sole plate, headers - or anywhere that building materials will be attached - place a nail plate (Model 378) over that area (on both sides if necessary) to prevent nails from piercing tubing.



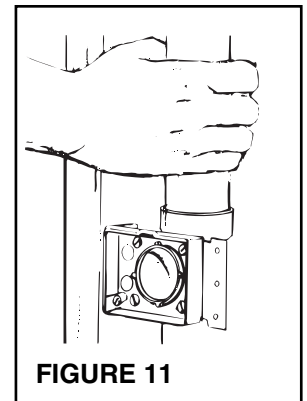
**FIGURE 8**



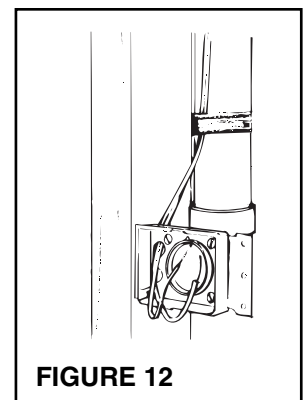
**FIGURE 9**



**FIGURE 10**



**FIGURE 11**



**FIGURE 12**

## WALL INLET INSTALLATION

### MODEL 360 WALL INLET (361 Rough-in)

1. Once the walls have been finished, install the wall inlets.
2. Remove the cardboard plaster guard.
3. Refer to Figure 13. For some drywall or panel construction, the plaster frame will extend beyond the finished wall. In this case, remove plaster frame from mounting bracket by removing mounting screws.
4. Refer to Figure 14. Connect 2-conductor low voltage wire to terminal screws on back of wall inlet.
5. Guide excess wire back through hole in inlet bracket and make sure seal is secure between mounting bracket and flanged fitting.
6. Refer to Figure 15. Place inlet into mounting bracket and secure.

**NOTE:** When wall inlets are installed in  $\frac{1}{2}$ " thick walls or less, the tube of the wall inlet may extend into elbow area of the flanged fitting and cause blockage. Shorten the wall inlet tube to prevent this condition. See Figure 16.

For extra thick walls, use Model 399 extension sleeves to connect inlet to the flanged fitting.

### MODEL 330 WALL INLET (329 Rough-in)

See Figure 17.

1. Connect 2-conductor low voltage wire to terminal screws on back of wall inlet.
2. Align inlet mounting holes with holes in mounting plate.
3. Place inlet into mounting plate and secure with two provided screws.

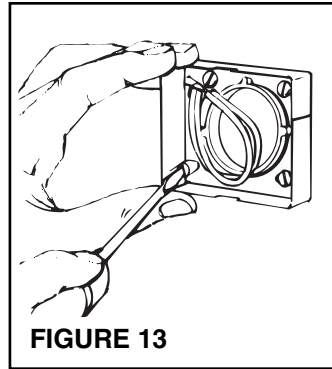


FIGURE 13

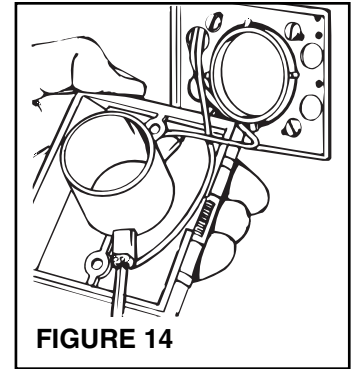


FIGURE 14

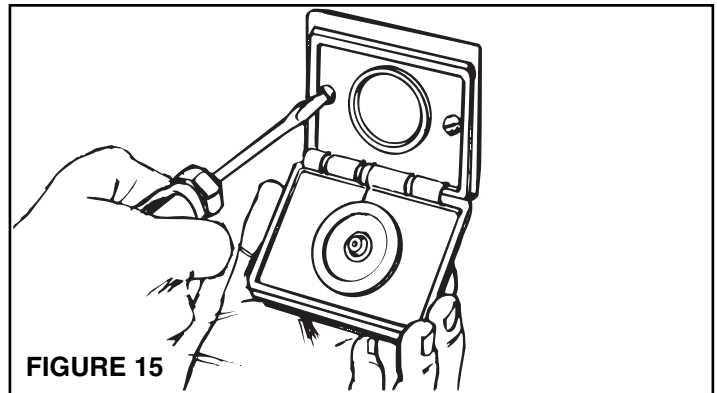


FIGURE 15

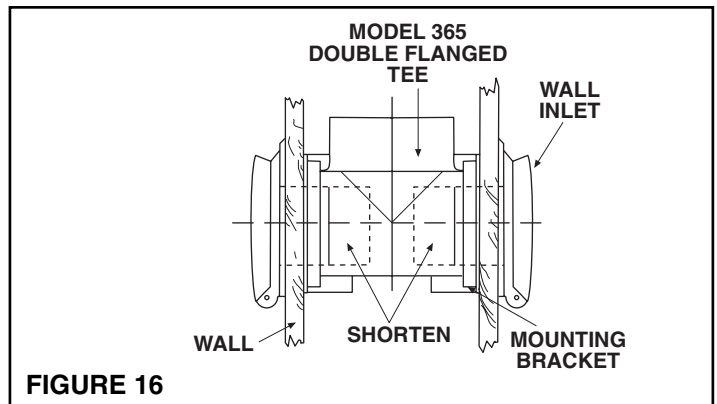


FIGURE 16

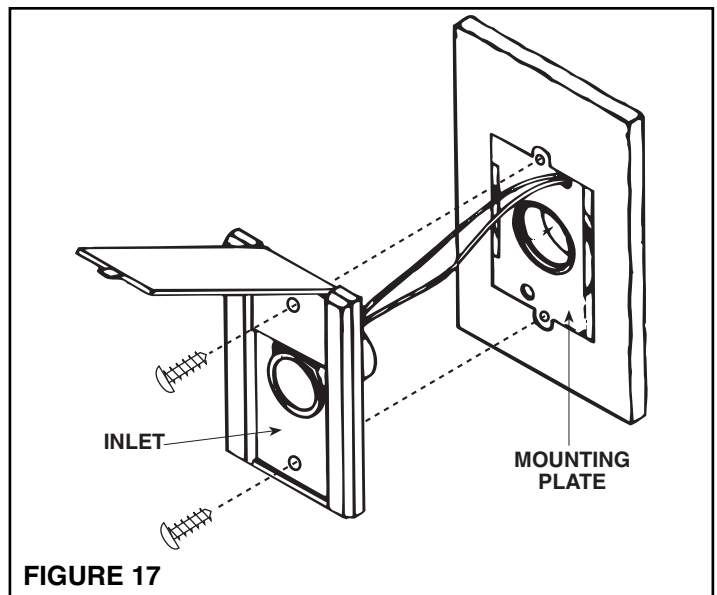
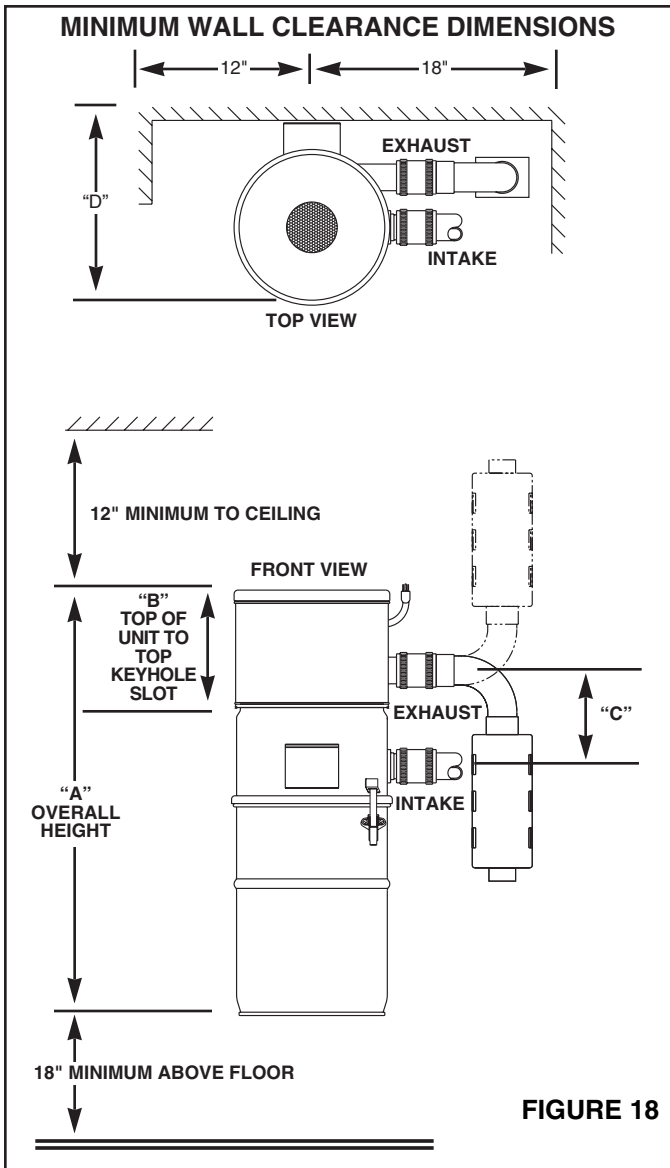
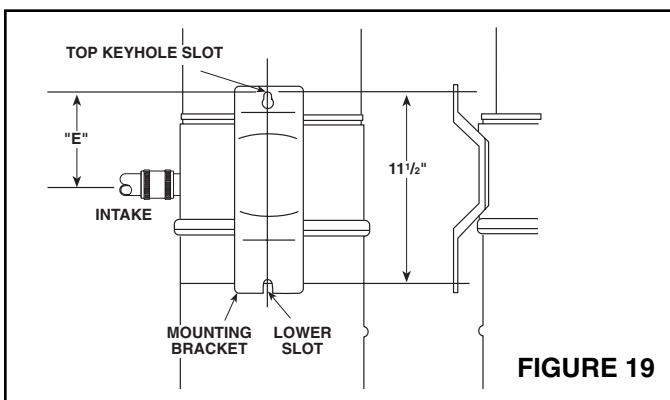


FIGURE 17



**DIMENSIONAL CHART**

DIMENSION	MODELS	
	CV653	CV750
A	32¼"	36¼"
B	7¾"	10½"
C	6⅞"	12"
D	13⅝"	15¾"
E	6⅞"	6½"



**POWER UNIT INSTALLATION**

**MOUNTING** See Figure 18.

1. Locate power unit within six feet of a grounded electrical outlet.
2. Drill ⅜" diameter pilot holes for the two (2) mounting screws in a wall stud or strong support. See Figure 19.
3. Tighten mounting screws. Leave approximately ⅛" to ⅜" clearance between head of screw and wall.
4. Hang power unit onto mounting screws. Make sure top keyhole slot and lower slot in mounting bracket are engaged behind mounting screws. Pull down to secure.
5. Remove dirt canister from power unit.
6. Install soil bag and securely replace dirt canister.

**TUBING CONNECTIONS**

1. Using rubber couplings and hose clamps, connect intake and exhaust tubing to the power unit.
2. Connect intake tubing to lower intake tube on power unit.
3. Connect muffler and exhaust tubing to upper exhaust tube on the power unit.
4. Make sure all tubing connections are air tight.
5. The exhaust should not be vented into a wall, a ceiling or a concealed space in the house. The exhaust line should be terminated outside the home, using Model 393 Wall Cap or a roof vent.

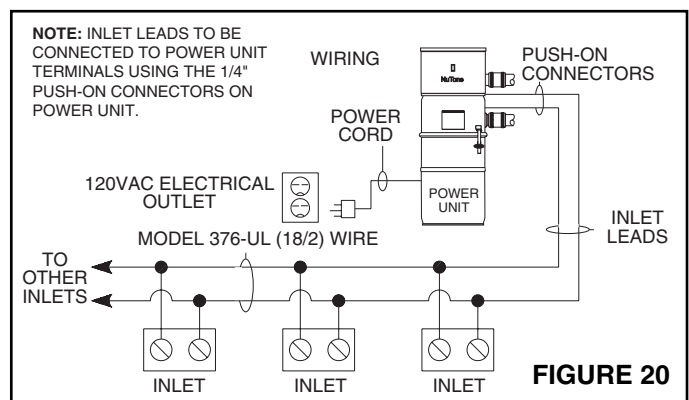
**WIRING** See Figure 20.

**Grounding Instructions** – This appliance must be grounded. If it should malfunction or breakdown, grounding provides a path of least resistance for electric current, to reduce the risk of electric shock. This appliance is equipped with a cord having an equipment-grounding conductor and grounding plug. The plug must be plugged into an appropriate outlet that is properly installed and grounded in accordance with all local codes and ordinances.

**Danger** – *Improper connection of the equipment-grounding conductor can result in a risk of electric shock.* Check with a qualified electrician or service person if you are in doubt as to whether the outlet is properly grounded. Do not modify the plug provided with the appliance – if it will not fit the outlet, have a proper outlet installed by a qualified electrician.

This appliance is for use on a nominal 120-volt circuit and has a grounding plug. Make sure that the appliance is connected to an outlet having the same configuration as the plug. No adapter should be used with this appliance.

1. Connect low voltage wire (18 gauge, 2-conductor, Model 376-UL) to crimp connectors located on outside of the power unit.
2. The power unit is equipped with a six foot grounded cord. Plug cord into 120 volt grounded receptacle.



# INSTALLATION IN EXISTING CONSTRUCTION

## PLANNING AND LAYOUT

The general planning and layout and the component locations are the same for existing construction as for new construction. See pages 2 and 3.

## LOCATING ACCESS KEYS

Unless your home is a ranch-style house where a single trunk line can run directly through the attic or basement, you should first investigate your house to find the 'key' to running your tubing from level to level. What you're looking for is an accessible area that is free from obstructions and will accommodate the 2" tubing.

Let's say, for example, you have a two-story house and you want to locate the power unit in the basement. The first floor inlets can easily be connected to a trunk line which runs along the basement ceiling. However, you can't find interior walls on both the first and second floors which line up and are free from obstacles. How do you get from the basement to the attic?

Some of the 'keys' you might find in your home are illustrated here.

**Stacked Closets.** Many homes will have an upstairs closet located directly above a downstairs closet. It is easy to run the tubing from one floor level to another inside these stacked closets. In these installations the tubing is often left exposed inside the closets. See Figure 21.

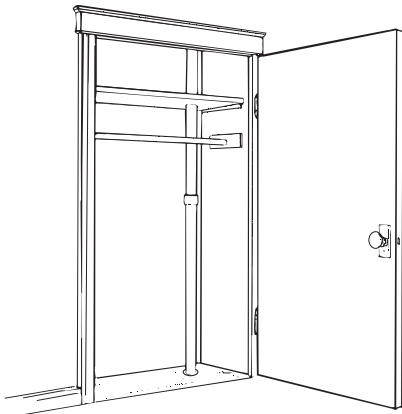


FIGURE 21

**Built-In Appliances.** In a home where the kitchen features built-in appliances, you'll often find a hollow space behind these appliances. If this space lines up with an obstruction-free interior wall above or a closet, this might be a "key" to your installation. In a ranch-style home, this "key" would provide access to run tubing from a basement located power unit to an attic trunk line. You may also want to consider running exposed tubing through cabinets or cupboards. See Figure 22A.

**Laundry Chute.** Pictured here is tubing run from the basement to the attic through a laundry chute. A dumb-waiter would serve the same purpose. See Figure 22B.

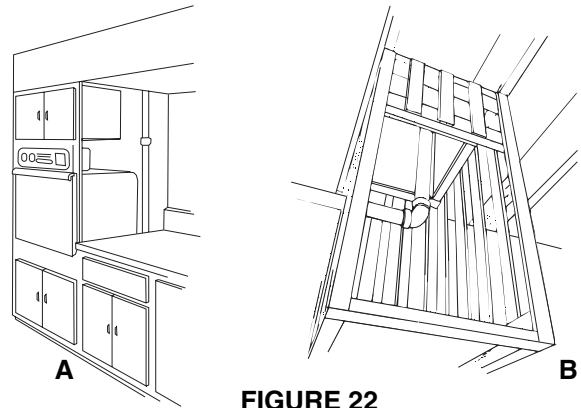


FIGURE 22

**Cold-Air Return.** A cold-air return often provides a straight run from basement to other levels of the house. The ductwork is easily cut for access. Seal around the tube when completing the installation. See Figure 23.

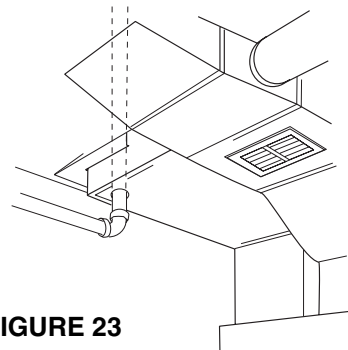


FIGURE 23

## WALL INLET INSTALLATION

Use the following procedures for installation in existing construction.

1. See Figure 24. A small 'pilot' or 'locating' hole can be drilled behind baseboard toe strip to determine proper location of 2½" diameter tubing hole in sole plate.
2. Measure the total thickness of the wall, including baseboard. One half of this wall thickness measured from the pilot hole (dimension 'X') will determine the proper location of the 2½" tubing hole in the sole plate.
3. Once desired inlet locations have been determined, cut a 2½" hole in soleplate directly in line with proposed inlet location. Check through tubing hole to be sure no obstruction exists.
4. Be sure tubing hole is centered in sole plate and directly in line with proposed wall inlet cutout.

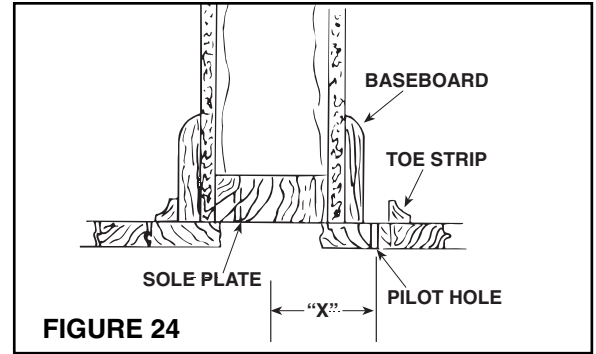


FIGURE 24

**NOTE: If 330 Wall Inlet is being used refer to Model 330 Wall Inlet Installation on next page.**

5. If area is clear, cut an inlet opening in the wall approximately 18" above the floor. Make sure wall opening and 2½" tube hole line up (Figure 25).
6. Cut a length of tubing that will extend from inlet opening to a point below floor level (or above ceiling level in attic installation). Tape low voltage wire to tube and insert tube through predrilled hole to a level opposite the wall opening.
7. Apply cement to tube and install flanged wall fitting. Make sure fitting is well seated and sealed (Figure 26).
8. Remove plaster frame from mounting bracket. Pull low voltage wire through hole in bracket and insert bracket into cutout. Secure bracket to flanged fitting with four screws provided. Be sure seal is secure between flange fitting and mounting bracket (Figure 27).
9. Starting from farthest wall inlet location, install each inlet as described above. Working back toward power unit, connect each branch line into main trunk line. Complete low voltage wiring as main trunk line is continued back to power unit.
10. Attach the low voltage wires to terminal screws on back of wall inlet (Figure 28).
11. Insert wall inlet into bracket and secure with the two screws provided (Figure 29).
12. Mount power unit and complete wiring. See page 7.

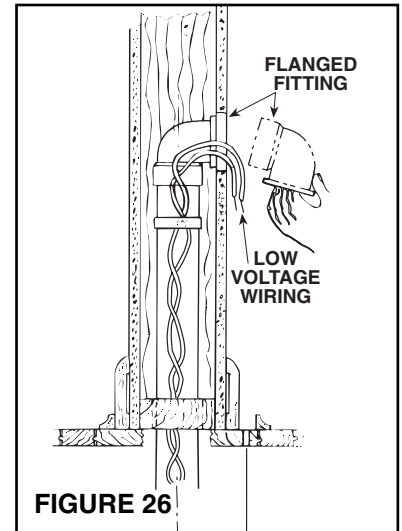


FIGURE 26

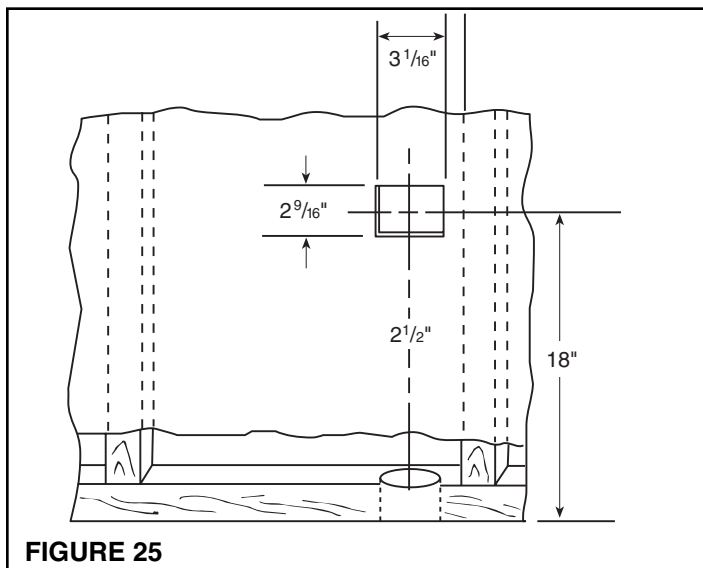


FIGURE 25

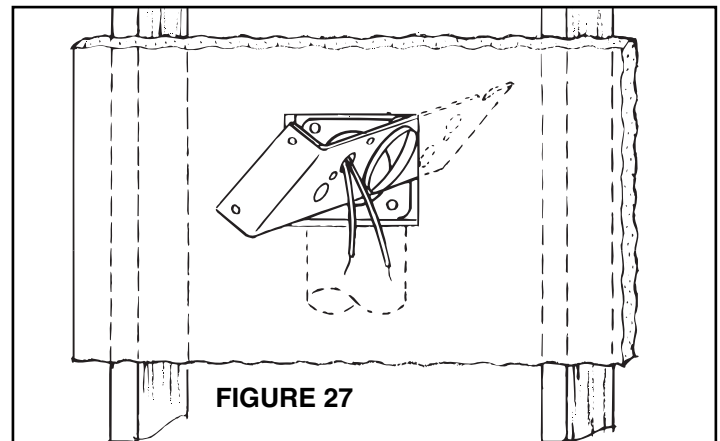


FIGURE 27

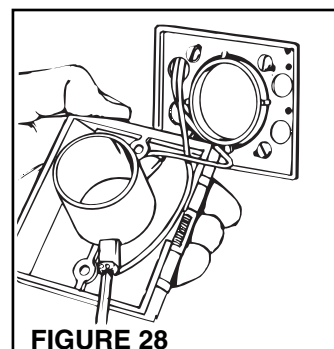


FIGURE 28

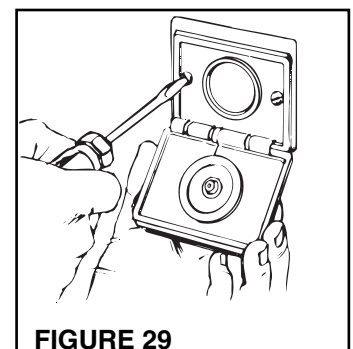
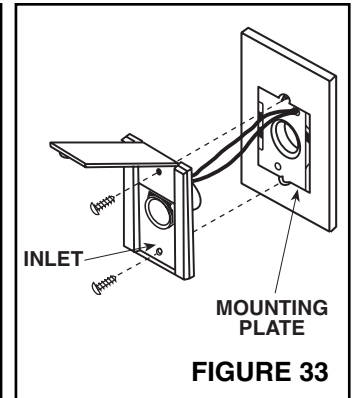
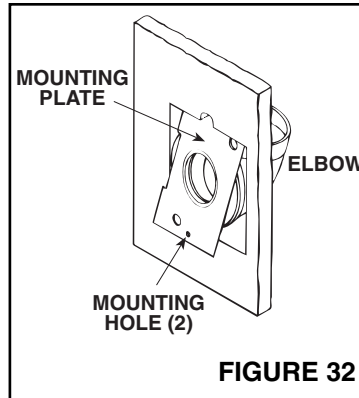
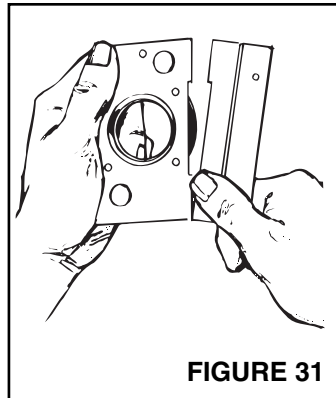
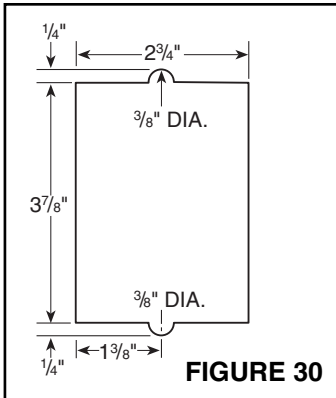


FIGURE 29

**NOTE: If the wall for mounting the Model 360 inlet is less than ½", a spacer must be used. See Figure 5A on page 4 as a guide.**

## MODEL 330N WALL INLET INSTALLATION

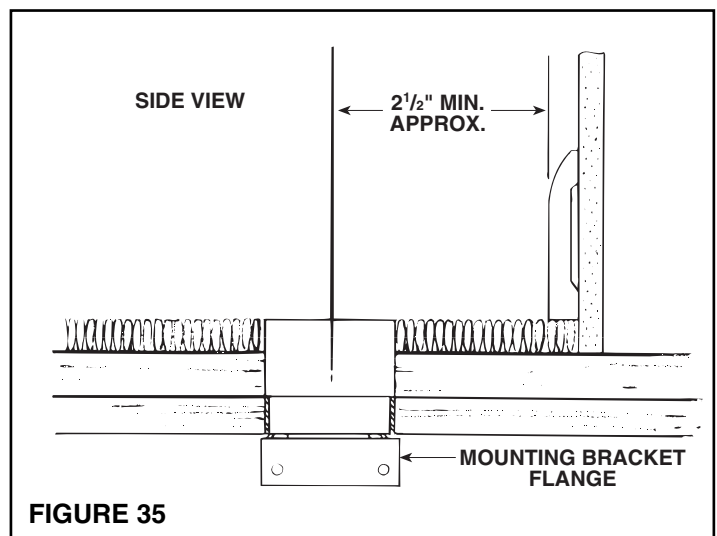
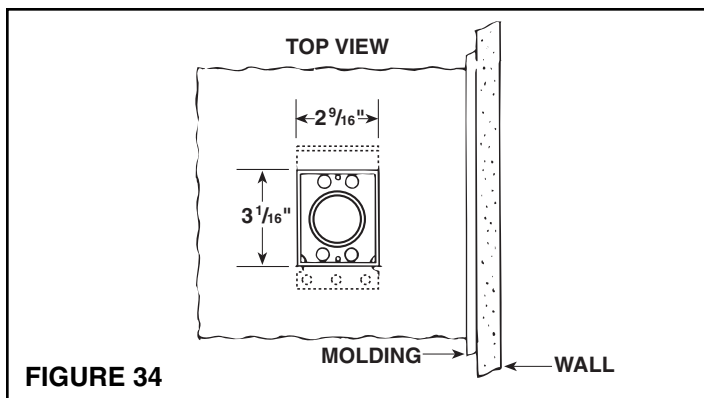
1. Make cutout according to dimensions in Figure 30.
2. Refer to Figure 31. Break off nail plate at scored line.
3. Refer to Figure 32. Glue elbow to mounting plate, place assembly into cutout, and attach elbow to tubing inside the wall.
4. Make sure mounting holes are exactly at top and bottom.
5. Connect 2-conductor low voltage wire to terminal screws on back of wall inlet.
6. Refer to Figure 33. Align inlet mounting holes with mounting plate holes, place inlet into mounting plate, and secure with provided screws. NOTE: If 382-S shorter radius elbow is used, it may be necessary to use the short mounting screw to avoid interference with elbow.

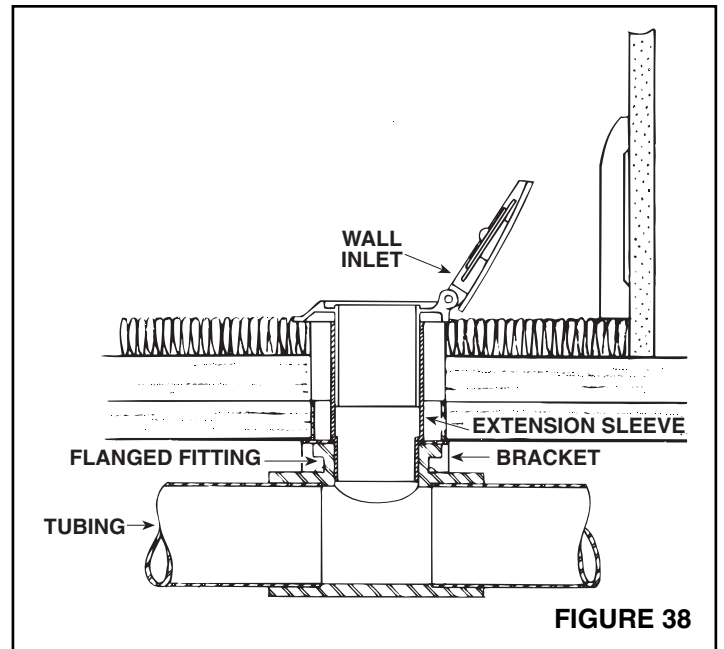
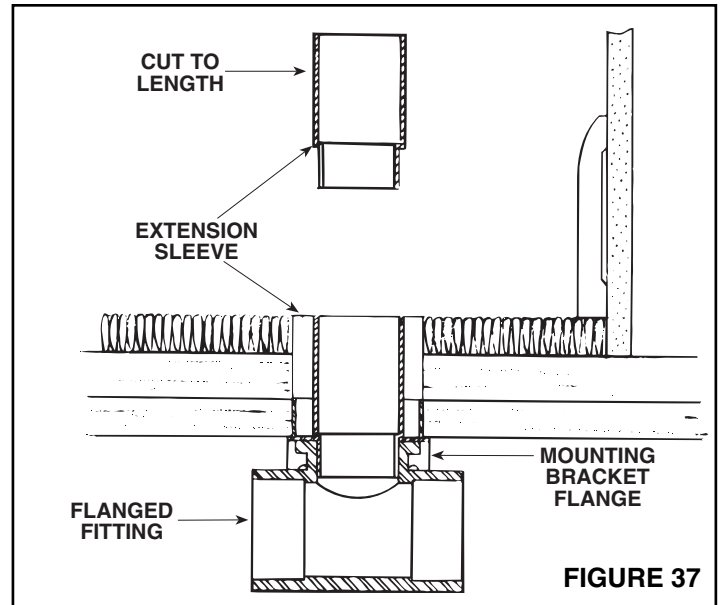
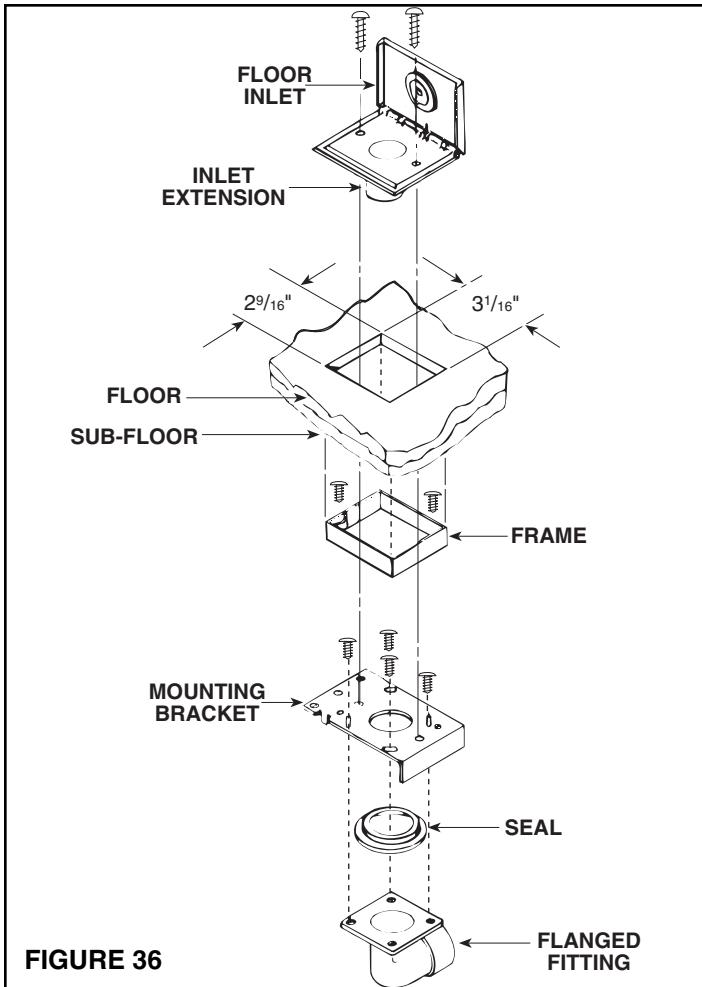


## FLOOR INLET INSTALLATION

### INSTALLATION IN NEW AND EXISTING CONSTRUCTION

1. Refer to Figures 34 and 35. After floor inlet location has been selected, cut a 3 1/16" x 2 9/16" square hole in floor. Center line of inlet must be located at least 2 1/2" from wall to allow cover to be opened when hose is inserted.
2. Determine direction of tubing and attach appropriate flanged fitting to mounting bracket with four (4) screws supplied. **Be sure mounting bracket flange does not interfere with tubing and seal is securely in place.**
3. Refer to Figure 36. Position bracket with frame and flanged fitting assembly into cutout from below and secure to sub floor.
4. Refer to Figure 37. Large end of Model 399 extension sleeve should be cut to length to allow proper seating of inlet against floor or carpet.
5. Refer to Figure 38. Pull low-voltage 2-conductor wire through mounting bracket and attach to terminal screws on back of floor inlet. Cement extension sleeve to Model 360 inlet. Insert extension sleeve through vinyl gasket in mounting bracket and firmly seat into flanged fitting.
6. For convenience of operation, floor inlet should be installed to open back toward wall.
7. Refer to Figure 36. Secure floor inlet in place with two screws.





## FINAL SYSTEM CHECK

Be sure all inlets are closed and soil bag is in place. Check switch on power unit for manual on/off operation. Check that indicator light on side of power unit is lit and is in green mode.

Check each wall inlet to be sure contacts activate power unit when hose is inserted. If Central Cleaning hose is not available at the time, a short piece of wire can be used to short contacts in wall inlet to activate power unit. Check each wall inlet and tubing connection for air leaks. Check power unit for leaks around inlet tube and dirt receptacle.

Make sure a bag is properly installed in the power unit according to directions printed on the bag or in homeowner's manual. Remove the extra bag and owner's manual from the power unit dirt receptacle. It may be convenient to store them with the cleaning tools and accessories.

# NuTone®

## Two Year Limited Warranty

**WARRANTY OWNER:** NuTone warrants to the original consumer purchaser of its products that such products will be free from defects in materials or workmanship for a period of two (2) years from the date of original purchase. **THERE ARE NO OTHER WARRANTIES, EXPRESS OR IMPLIED, INCLUDING, BUT NOT LIMITED TO, IMPLIED WARRANTIES OF MERCHANTABILITY OR FITNESS FOR A PARTICULAR PURPOSE.**

**During this two year period,** NuTone will, at its option, repair or replace, without charge, any product or part which is found to be defective under normal use and service. **THIS WARRANTY DOES NOT EXTEND TO FLUORESCENT LAMP STARTERS OR TUBES, FILTERS, DUCT, ROOF CAPS, WALL CAPS AND OTHER ACCESSORIES FOR DUCTING.** This warranty does not cover (a) normal maintenance and service or (b) any products or parts which have been subject to misuse, negligence, accident, improper maintenance or repair (other than by NuTone), faulty installation or installation contrary to recommended installation instructions.

The duration of any implied warranty is limited to the one year period as specified for the express warranty. Some states do not allow limitation on how long an implied warranty lasts, so the above limitation may not apply to you.

**NUTONE'S OBLIGATION TO REPAIR OR REPLACE, AT NUTONE'S OPTION, SHALL BE THE PURCHASER'S SOLE AND EXCLUSIVE REMEDY UNDER THIS WARRANTY. NUTONE SHALL NOT BE LIABLE FOR INCIDENTAL, CONSEQUENTIAL OR SPECIAL DAMAGES ARISING OUT OF OR IN CONNECTION WITH PRODUCT USE OR PERFORMANCE.** Some states do not allow the exclusion or limitation of incidental or consequential damages, so the above limitation or exclusion may not apply to you. This warranty gives you specific legal rights, and you may also have other rights, which vary from state to state. This warranty supersedes all prior warranties.

**WARRANTY SERVICE:** To qualify for warranty service, you must (a) notify NuTone at the address stated below or telephone 1/800-543-8687, (b) give the model number and part identification and (c) describe the nature of any defect in the product or part. At the time of requesting warranty service, you must present evidence of the original purchase date.

Date of Installation

Builder or Installer

Model No. and Product Description

### IF YOU NEED ASSISTANCE OR SERVICE:

For the location of your nearest NuTone Independent Authorized Service Center:

**Residents of the contiguous United States** Dial Free 1-800-543-8687

Please be prepared to provide:

Product model number • Date and Proof of purchase • The nature of the difficulty

**Residents of Alaska or Hawaii should write to:** NuTone Inc. Attn: Department of National Field Service, 4820 Red Bank Road, Cincinnati Ohio 45227-1599.

**Residents of Canada should write to:** Broan-NuTone Canada, 1140 Tristar Drive, Mississauga, Ontario, Canada L5T 1H9.

Rev. 03/2001

# NuTone®

## SYSTÈME INTÉGRÉ D'ASPIRATEUR CENTRAL

DIRECTIVES POUR LES  
MODÈLES: CV653 & CV750



<b>RENSEIGNEMENTS GÉNÉRAUX</b> .....	2	Installation de l'aspirateur .....	7
<b>PLANIFICATION ET DIAGRAMMES</b> .....	2	Tableau des dimensions .....	7
Exemples .....	2	Montage .....	7
Emplacement de l'aspirateur .....	3	Raccordement des tuyaux .....	7
Emplacement des prises murales.....	3	Câblage .....	7
Mise en place des tuyaux .....	3	<b>INSTALLATION DANS UNE RÉSIDENCE EXISTANTE</b> .....	8
<b>INSTALLATION DANS UNE NOUVELLE RÉSIDENCE</b> .....	4	Planification et diagrammes.....	8
Encastrement de prises murales .....	4	Localisation des points d'accès .....	8
Installation des tuyaux .....	4	Installation des prises murales .....	8
Installation des tuyaux .....	5	Prise murale de modèle 330.....	10
Installation des prises murales .....	6	<b>INSTALLATION DES PRISES DE PLANCHER</b> .....	10
Prise murale de modèle 360.....	6	<b>VÉRIFICATION FINALE DU SYSTÈME</b> ....	11
Prise murale de modèle 330.....	6		

# RENSEIGNEMENTS GÉNÉRAL

Le système d'aspirateur central NuTone comprend un aspirateur, des tuyaux en PVC, des raccords en PVC, des prises murales, un boyau souple et différents accessoires.

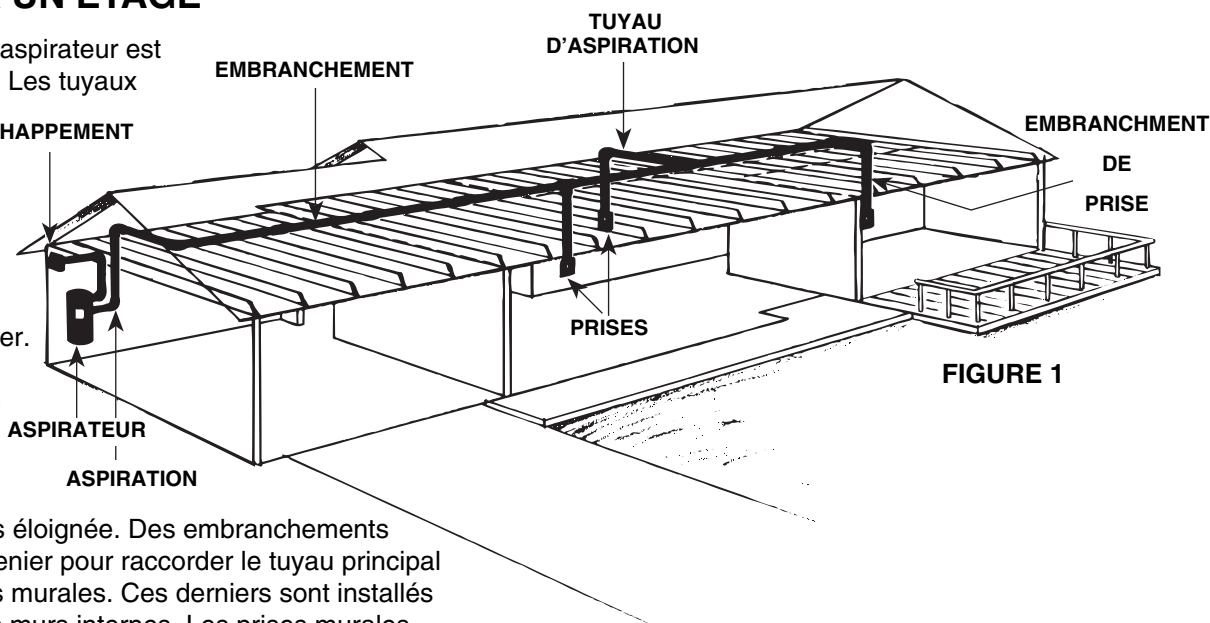
L'aspirateur est conçu pour être installé au mur, à l'écart des principales pièces de la maison; il est relié à ces pièces au moyen de tuyaux installés en permanence dans les murs et de prises murales.

## PLANIFICATION ET DIAGRAMMES

Pour faciliter l'installation dans une nouvelle résidence ou dans une résidence existante, consultez les exemples suivants:

### RÉSIDENCE À UN ÉTAGE

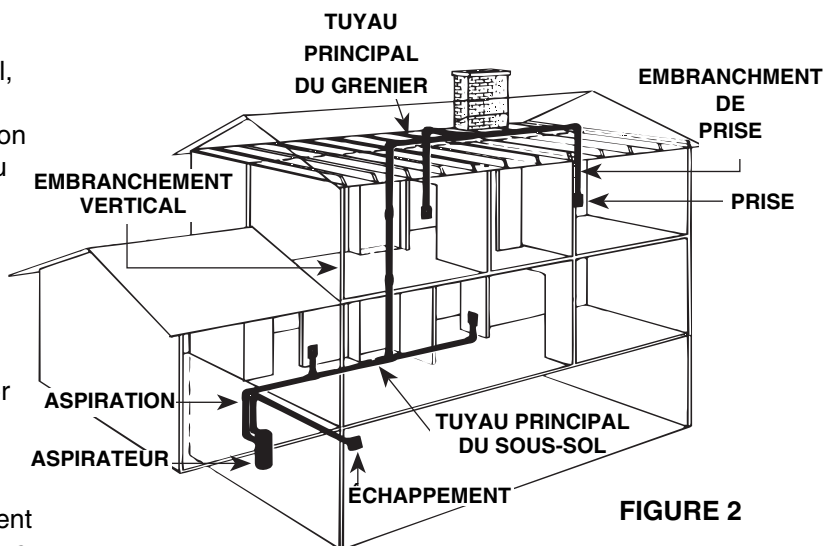
Dans cet exemple, l'aspirateur est placé dans le garage. Les tuyaux d'aspiration et d'échappement constituent les seuls tuyaux à l'air libre de l'installation; ils sont installés le long du mur du garage, puis passent dans le grenier. Le tuyau principal est installé à l'horizontale dans le grenier entre l'aspirateur et l'embranchement de la prise murale la plus éloignée. Des embranchements s'étendent dans le grenier pour raccorder le tuyau principal aux tuyaux des prises murales. Ces derniers sont installés à la verticale dans les murs internes. Les prises murales sont situées dans les couloirs ou dans les grandes pièces pour assurer un accès maximum aux zones à nettoyer. Voir la figure 1.



### RÉSIDENCE À DEUX ÉTAGES

Dans cet exemple, l'aspirateur est installé au sous-sol, à un endroit permettant de l'utiliser pour le nettoyage de l'atelier et des éventuels dégâts. Le tuyau d'aspiration remonte le long d'un mur du sous-sol et se raccorde au tuyau principal installé au plafond du sous-sol. Les deux prises du rez-de-chaussée sont raccordées au tuyau principal par des embranchements verticaux installés dans les murs internes. Au centre de la maison, un embranchement vertical relie le tuyau principal du sous-sol, en passant par les garde-robes, à un tuyau de raccordement dans le grenier. Ce dernier est raccordé dans le grenier à deux embranchements, eux-mêmes raccordés à des tuyaux verticaux installés dans les murs du second étage. Consultez la figure 2.

Le système à deux tuyaux principaux est habituellement utilisé dans les résidences à deux étages. L'étape la plus importante dans ce type d'installation consiste à trouver les points d'accès au second étage.



## RÉSIDENCE À PLUSIEURS NIVEAUX

Comme c'était le cas avec la résidence à deux étages, l'installation dans une résidence à plusieurs niveaux fait habituellement appel à plusieurs tuyaux principaux.

Dans l'exemple, l'aspirateur est situé dans le garage. Le tuyau d'aspiration est installé le long du mur du garage pour ensuite passer dans le grenier de la section rez-de-chaussée de la résidence. Deux embranchements raccordent cette partie du système au tuyau qui descend dans les murs internes.

Un tuyau vertical passe ensuite dans le grenier du premier étage où il adopte la forme d'un T. Ce dernier se raccorde à deux embranchements connectés à des prises murales du premier étage tandis qu'un autre embranchement descend, dans les murs, jusqu'au niveau inférieur de la résidence où il est raccordé à une prise qui permet de nettoyer l'étage au complet. Voir la figure 3.

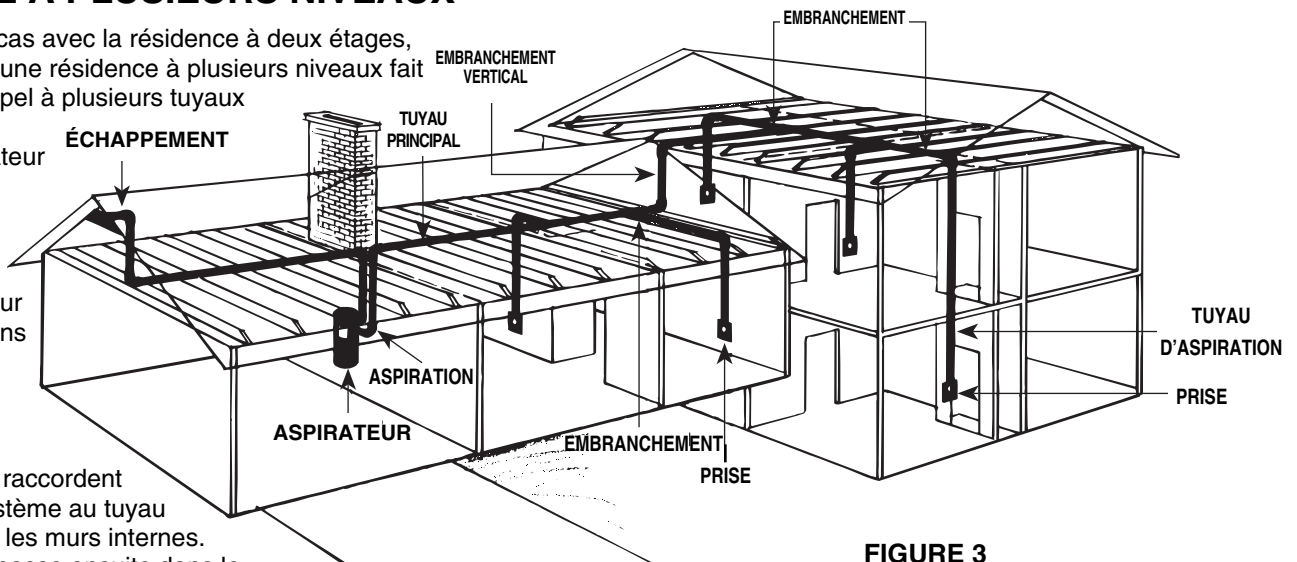


FIGURE 3

## EMPLACEMENT DE L'ASPIRATEUR

- Installez l'aspirateur à l'écart des principales pièces de la maison.
- Lorsque vous planifiez l'installation, rappelez-vous que l'aspirateur est doté d'une prise pour desservir le garage, le sous-sol, la salle de rangement, etc.
- Installez l'aspirateur dans un endroit accessible vous permettant de remplacer le sac et, périodiquement, de nettoyer le filtre secondaire.
- Installez l'aspirateur à moins de 1,5 mètre d'une prise électrique mise à la terre. L'aspirateur exige une source de courant 120 V c.a..
- Évitez de placer l'aspirateur près d'une source de chaleur intense (par exemple un chauffe-eau) ou dans un endroit où la température est élevée (par exemple le grenier, la salle de chauffage).
- Lorsque l'aspirateur est situé dans un garde-robe ou dans une petite pièce, assurez-vous que l'endroit est suffisamment aéré (par exemple au moyen de persiennes).
- L'aspirateur doit être relié à l'extérieur par un échappement. Ce dernier ne doit pas être installé dans un mur, un plafond ou un espace confiné de la maison. Le tuyau d'échappement doit être acheminé à l'extérieur au moyen d'un évent mural modèle 393 ou d'un évent de toit.

**MISE EN GARDE : L'aspirateur ne doit pas être installé dans une pièce où la température est élevée, notamment le grenier, la salle des fournaies, etc.**

## INSTALLATION DES PRISES MURALES

- Installez les prises sur les murs internes.
- Sélectionnez un emplacement central qui permet de nettoyer plusieurs pièces à partir d'une seule prise.
- Installez les prises au centre de la résidence, de façon à pouvoir nettoyer la plus grande zone possible au moyen du boyau de 9,14 mètres.

- Installez la prise à moins de 1,5 mètre d'une prise électrique pour être en mesure d'utiliser le boyau avec alimentation intégrée optionnel, au besoin.
- Assurez-vous que les tuyaux ne nuisent pas aux installations électriques, de plomberie ou autre..
- Assurez-vous que les prises ne seront pas cachées par une porte ou un meuble

## MISE EN PLACE DES TUYAUX

- L'installation doit comprendre un tuyau central installé entre l'aspirateur et la prise murale la plus éloignée du système, avec des embranchements desservant les prises additionnelles. En commençant par la zone la plus éloignée de l'aspirateur, sélectionnez un emplacement potentiel pour la prise. Au moyen d'une corde de 9,14 mètres (représentant le boyau), partez de l'emplacement prévu de la prise pour vérifier si tous les points de la pièce peuvent être nettoyés. N'oubliez pas que vous aurez à faire le tour des meubles ou encore à nettoyer des endroits élevés comme le plafond ou les rideaux.
- Au besoin, déplacez l'emplacement prévu de la prise. Suivez la même procédure pour déterminer l'emplacement de chaque prise additionnelle, en vous rapprochant graduellement de l'aspirateur.
- En général, l'installation typique comprend de 3 à 4 prises exigeant chacune de 5 à 6 mètres de tuyau. On recommande d'utiliser un plan pour déterminer avec plus de précision la quantité de matériau nécessaire.

**NOTE : On recommande d'utiliser des bandes métalliques ou de plastique pour soutenir le tuyau d'échappement lorsqu'il est relié à un silencieux ou encore près des raccords des longues sections lorsqu'aucun autre moyen de soutien n'est accessible.** À cette fin, NuTone offre le support de tuyau modèle CF-380.

# INSTALLATION DANS UNE NOUVELLE RÉSIDENCE

## ENCASTREMENT DE PRISE MURALE

1. Une fois l'emplacement des prises murales déterminé, mettez en place les encastrements.
2. Installez l'encastrement sur un montant, à environ 45,7 cm du plancher. (La hauteur peut varier selon les goûts.)

### MODÈLE 361 (CONVIENT AUX PRISES 360)

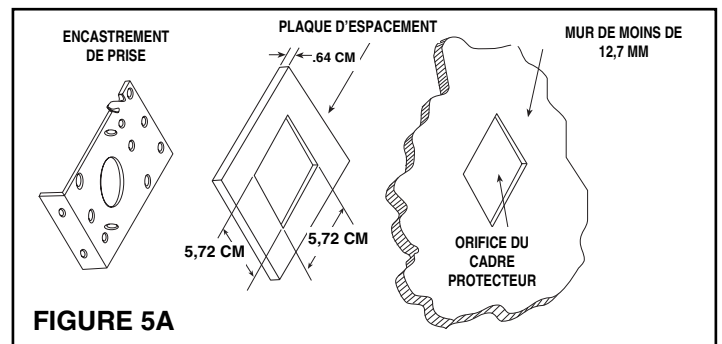
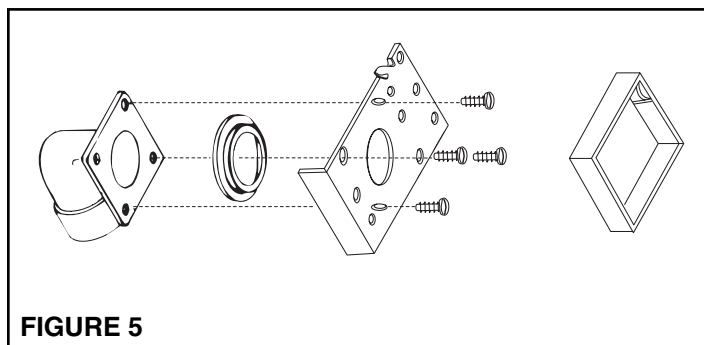
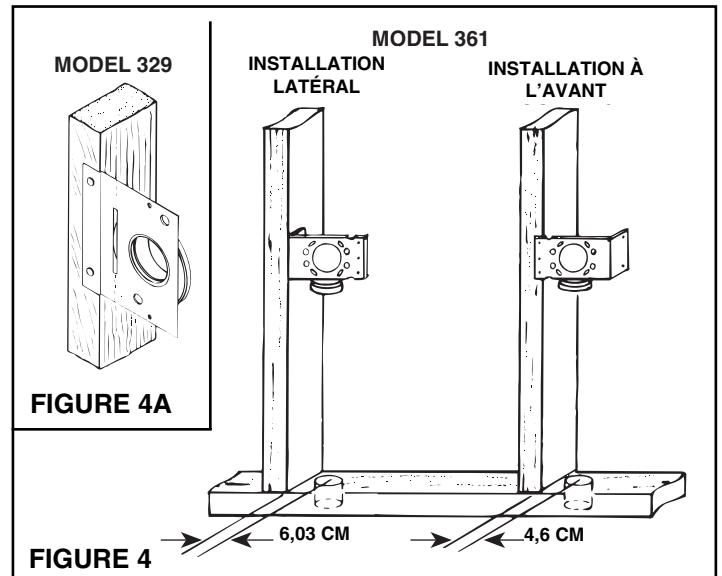
3. Consultez la figure 4. Clouez l'encastrement au montant, de façon que l'avant de l'encastrement soit à égalité avec l'avant du montant. (L'encastrement peut aussi être fixé sur le devant du montant; pour ce faire, utilisez les onglets à l'arrière de l'encastrement pour bien disposer l'encastrement.)
4. Consultez la figure 5. Retirez le carton du cadre protecteur. Au moyen des quatre (4) vis fournies, fixez le raccord approprié ainsi que la garniture à l'arrière de l'encastrement.
5. Remplacez le carton dans le cadre protecteur.

### MODÈLE 329 (CONVIENT AUX PRISES 330)

Lorsque vous utilisez le modèle 329, collez un coude à la plaque de montage. Fixez au montant comme indiqué à la figure 4A.

**NOTE : Si vous utilisez l'encastrement de prise modèle 361 avec des murs de moins de 12,7 mm d'épaisseur, utilisez une plaque d'espacement de 6,35 mm (non fournie) placée entre le mur et l'encastrement.** Consultez la figure 5A.

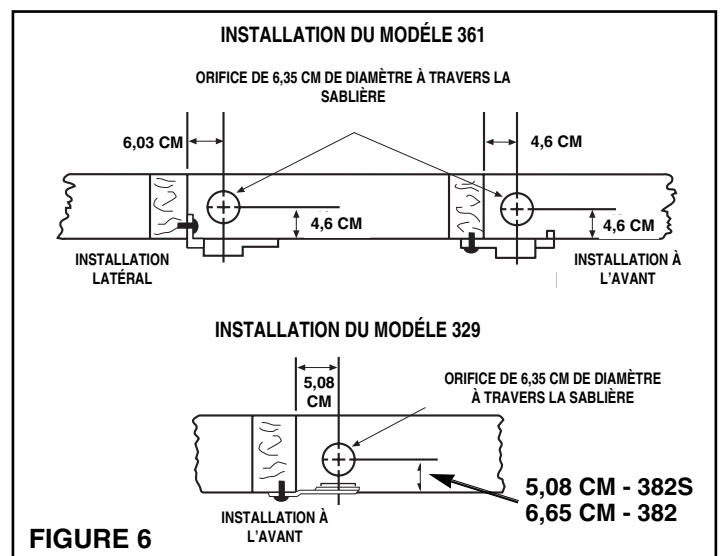
La plaque d'espacement peut être constituée de contreplaqué, de Masonite<sup>MC</sup>, etc. Vous pouvez utiliser de la colle instantanée pour maintenir la plaque d'espacement en place pendant l'assemblage. Le type de plaque d'espacement peut varier selon l'installation.



## INSTALLATION DES TUYAUX

Servez-vous des directives d'installation ci-après lors de l'installation des tuyaux.

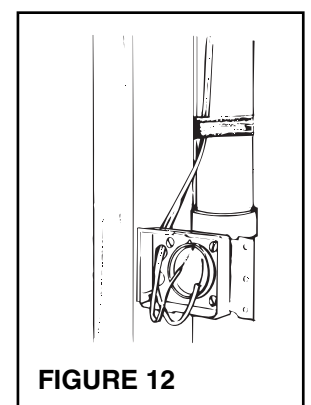
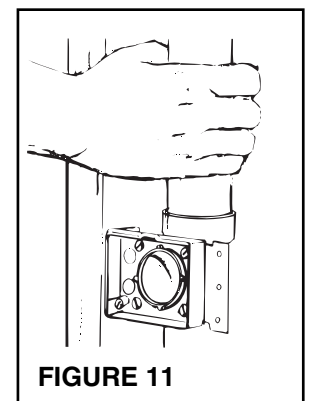
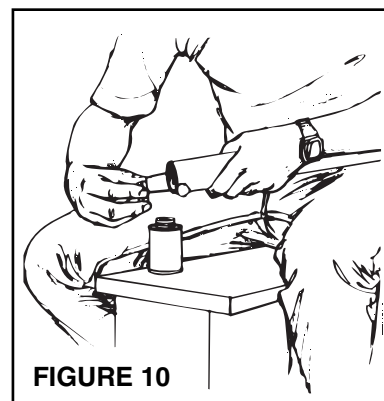
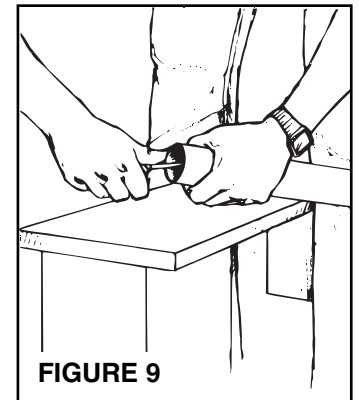
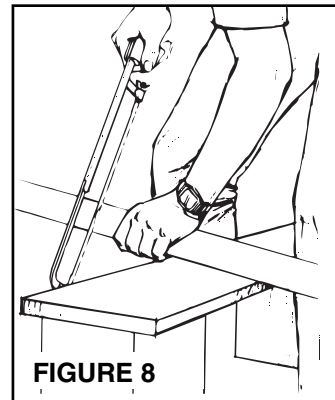
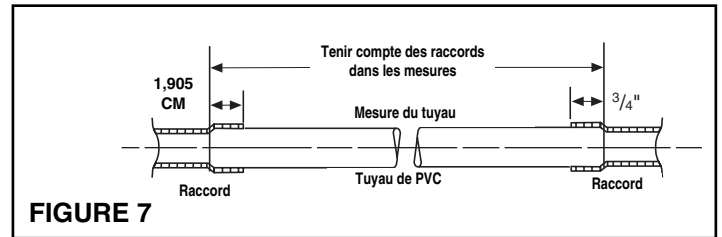
1. Débutez l'installation des tuyaux à la prise la plus éloignée de l'aspirateur, en vous dirigeant vers ce dernier.
2. Les tuyaux reliant les prises à l'aspirateur doivent être le plus droits possible.
3. Lors de l'assemblage de sections au moyen de coudes et de T, assurez-vous que la courbe du raccord est bien alignée avec le tuyau, de façon que l'air soit dirigé directement vers l'aspirateur.
4. Les embranchements doivent toujours être raccordés au tuyau principal en provenance du haut ou du même niveau. Vous ne devez jamais raccorder un embranchement à angle inférieur.
5. Fixez le tuyau aux solives ou aux montants.
6. **Consultez la figure 20 à la page 7.** Installez le fil basse tension et fixez-le au tuyau. Prévoir environ 15,2 cm de fil supplémentaire pour le raccordement de chaque prise.



## INSTALLATION DES TUYAUX

1. Percez un orifice de 6,35 cm de diamètre dans la sablière, dans l'enchevêtrement ou dans le montant, en ligne directe avec l'orifice de l'encastrement. Consultez les figures 6 et 4 pour les dimensions au centre.
2. Voir la figure 7. Mesurez la longueur de tuyau nécessaire pour raccorder la prise au tuyau principal. Prévoyez environ 1,90 cm de tuyau pour l'insertion dans les raccords.
3. Voir la figure 8. Coupez le tuyau, en vous assurant qu'il est bien de niveau.
4. Voir la figure 9. Enlevez les bavures et les autres morceaux à l'intérieur et à l'extérieur du tuyau.
5. Avant de coller le tuyau au raccord, insérez le tuyau dans le raccord pour vérifier qu'il est bien de la longueur appropriée.
6. Voir la figure 10. Appliquez de la colle (modèle 379) à l'extérieur du tuyau, sur une distance d'environ 2,54 cm. Assurez-vous que la colle ne pénètre pas à l'intérieur du tuyau.
7. Voir la figure 11. Insérez le tuyau dans le raccord en le faisant tourner pour étendre uniformément la colle. Assurez-vous que le tuyau est bien inséré dans le raccord.
8. Si un raccord a déjà été installé à l'autre extrémité du tuyau, assurez-vous qu'il est bien aligné avant que la colle ne sèche.
9. Voir la figure 12. Le fil basse tension (modèle 376-UL) doit être raccordé au moment de l'installation du tuyau. Fixez le fil au tuyau au moyen de ruban adhésif, puis faites passer le fil dans l'orifice prévu à cet effet de l'encastrement.

**Attention:** Lorsqu'un tuyau passe à travers un montant, la sablière, l'enchevêtrement ou à tout autre endroit où vous pourriez fixer des matériaux - installez une plaque protectrice (modèle 378) à cet endroit (des deux côtés au besoin) pour empêcher les clous de percer le tuyau.



## INSTALLATION DES PRISES MURALES

### PRISE MURALE MODÈLE 360 (encastrement 361)

1. Une fois les murs terminés, installez les prises murales.
2. Retirez le carton protecteur.
3. Consultez la figure 13. Avec des murs en panneaux de gypse ou d'aggloméré, le cadre de la plaque ressort du mur. Dans un tel cas, retirez le cadre de l'encastrement en enlevant les vis d'installation.
4. Consultez la figure 14. Raccordez les deux fils basse tension aux vis du bornier à l'arrière de la prise murale.
5. Repoussez tout excès de fil dans l'orifice de l'encastrement, puis assurez-vous que la garniture est bien fixée entre l'encastrement et le raccord.
6. Consultez la figure 15. Insérez la prise dans l'encastrement, puis fixez-la en place.

**NOTE :** Lorsque les prises sont installées sur des murs de moins de 1,27 cm d'épaisseur, le tube de la prise murale peut venir en contact avec le coude du raccord, causant un blocage. Dans un tel cas, raccourcissez le tube de la prise murale pour éviter tout blocage. Consultez la figure 16.

Pour des murs plus épais, utilisez les manchons d'expansion modèle 399 pour connecter la prise au raccord.

### PRISE MURALE MODÈLE 330 (encastrement 329)

Consultez la figure 17.

1. Raccordez les deux fils basse tension aux vis du bornier à l'arrière de la prise murale.
2. Alignez les orifices des vis de montage avec les orifices de la plaque de montage
3. Insérez la prise dans la plaque de montage, puis fixez-la en place au moyen des deux vis fournies.

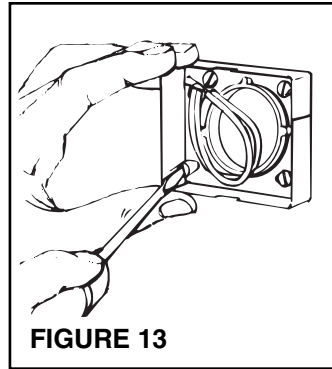


FIGURE 13

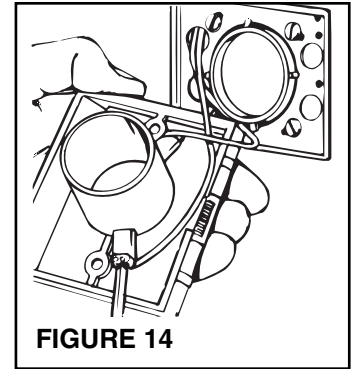


FIGURE 14

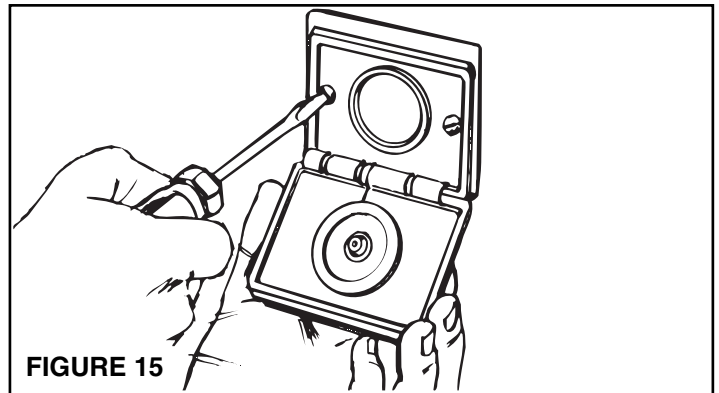


FIGURE 15

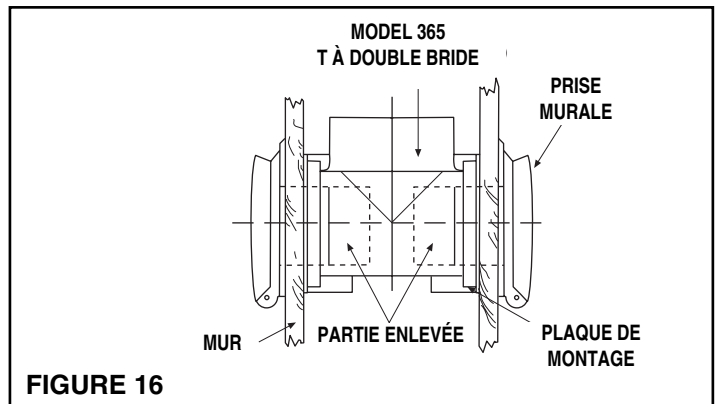


FIGURE 16

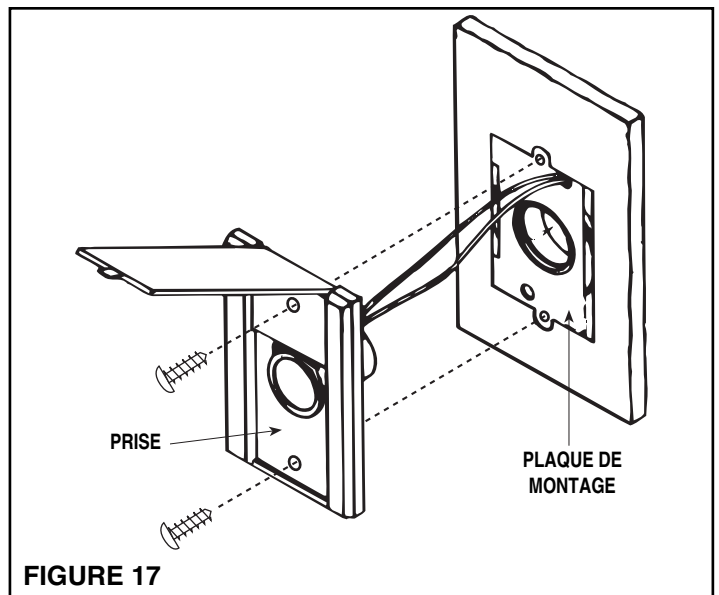
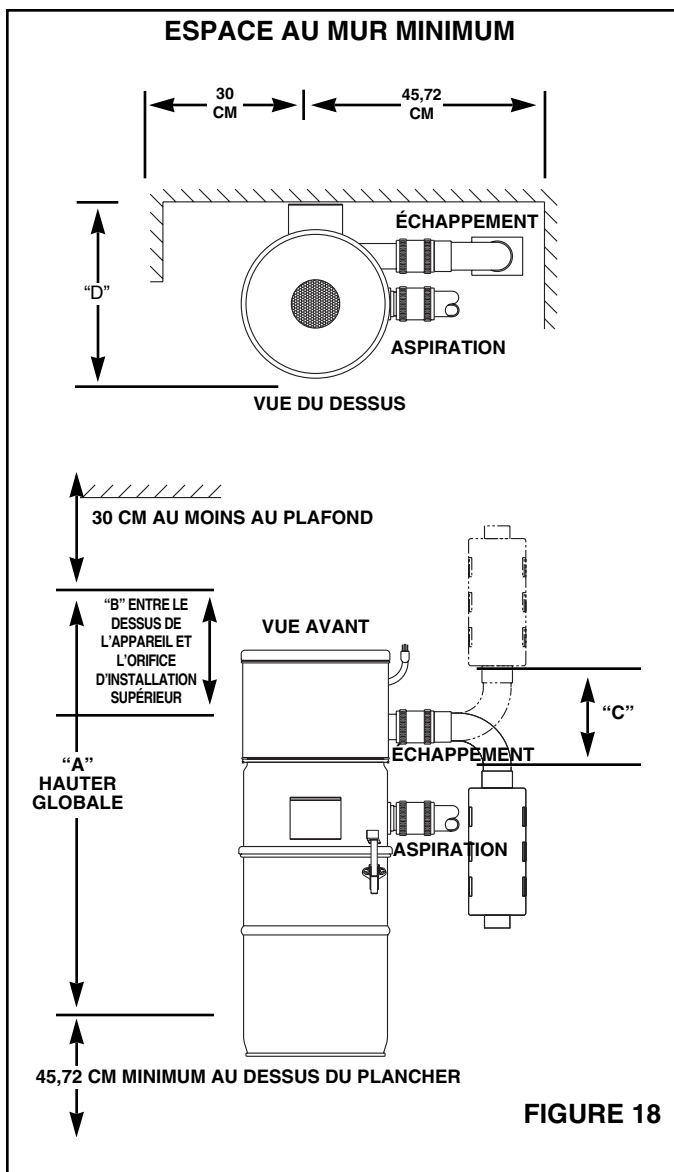
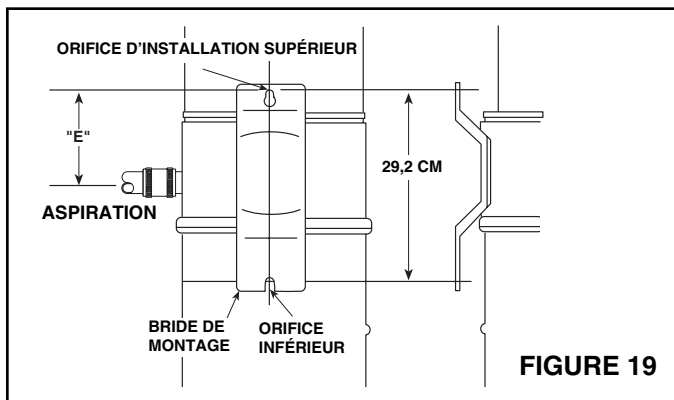


FIGURE 17



### TABLEAU DES DIMENSIONS

DIMENSION	MODÈLES	
	CV653	CV750
A	81,9	92,08
B	19,7	26,67
C	17,46	30,5
D	34,61	40,01
E	15,56	16,51



## INSTALLATION DE L'ASPIRATEUR

### MONTAGE - Consultez la figure 18

1. Placez l'aspirateur à moins de 1,5 m d'une prise électrique mise à la terre.
2. Percez deux orifices de .49 cm de diamètre pour les deux (2) vis de montage dans un montant mural ou dans une pièce de bois de soutien. Consultez la figure 19.
3. Insérez les vis de montage. Laissez entre 3,2 et 4,7 mm entre la tête de la vis et le montant.
4. Suspendez l'aspirateur sur les vis de montage. Assurez-vous que la partie allongée des orifices supérieur et inférieur en forme de trou de serrure est bien engagée derrière la tête de la vis. Appuyez sur l'aspirateur pour vous en assurer.
5. Enlevez le réservoir de l'aspirateur.
6. Installez un sac, puis remplacez le réservoir.

## RACCORDEMENT DES TUYAUX

1. Au moyen de raccords de caoutchouc et de brides pour tuyau, raccordez les tuyaux d'aspiration et d'échappement à l'aspirateur.
2. Raccordez le tuyau d'aspiration à l'accès inférieur de l'aspirateur.
3. Raccordez le silencieux et le tuyau d'échappement à la prise supérieure d'échappement de l'aspirateur.
4. Assurez-vous que toutes les connexions sont bien étanches.
5. L'échappement ne doit pas être dirigé dans un mur, un plafond ou un endroit confiné de la maison. Il doit être raccordé à l'extérieur au moyen d'un évent mural modèle 393 ou d'un évent de toit.

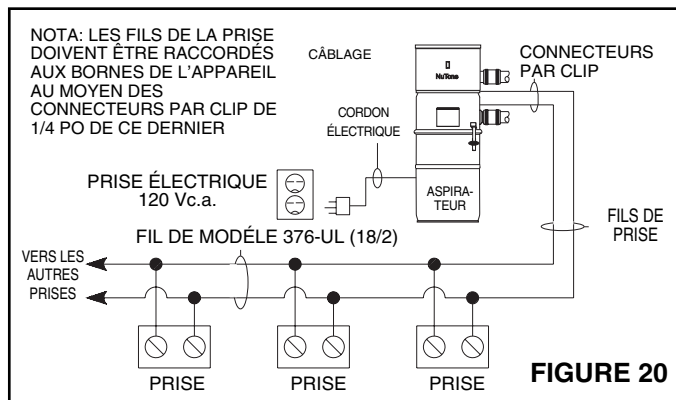
## CÂBLAGE - Consultez la figure 20.

Directives de mise à la terre - Cet appareil doit être mis à la terre. En cas de défaillance ou de bris, la mise à la terre constitue une voie de moindre résistance pour le courant électrique, ce qui réduit les risques de choc électrique. Cet appareil est doté d'un cordon comprenant une fiche avec broche de mise à la terre. La fiche doit être branchée dans une prise électrique correctement installée et mise à la terre, conformément aux codes et aux règlements en vigueur.

**Danger** - Le fait de ne pas raccorder correctement le fil de mise à la terre de l'équipement pourrait constituer des risques de choc électrique. Consultez un électricien si vous ne savez pas si la prise électrique est bien mise à la terre. Ne modifiez pas la fiche dont est doté l'appareil - si vous n'arrivez pas à l'insérer dans la prise électrique, demandez à un électricien d'installer une prise appropriée.

Cet appareil doit être raccordé à un circuit de 120 V nominal et est doté d'une broche de mise à la terre. Assurez-vous que l'appareil est branché dans une prise dont la configuration est identique à celle de la fiche. Vous ne devez utiliser aucun adaptateur avec cet appareil.

1. Raccordez le fil basse tension (calibre 18, deux conducteurs, modèle 376-UL) aux deux fils basse tension situés sur le boîtier de l'aspirateur.
2. L'aspirateur est doté d'un cordon électrique mis à la terre de 1,5 m. Branchez ce cordon dans une prise électrique 120 V, mise à la terre.



# INSTALLATION DANS UNE RÉSIDENCE EXISTANTE

## PLANIFICATION ET DIAGRAMMES

La planification générale, la disposition des éléments et le remplacement sont identiques pour les résidences existantes à ce qu'ils étaient pour les nouvelles résidences. Consultez les pages 2 et 3.

## LOCALISATION DES POINTS D'ACCÈS

À moins que votre résidence soit sur un seul étage, auquel cas un seul tuyau principal peut être installé directement dans le sous-sol ou le grenier, vous devez d'abord inspecter votre résidence pour déceler les points d'accès d'un étage à l'autre pour les tuyaux. Vous devez rechercher une zone libre de tout obstacle où vous pourrez faire passer un tuyau de 5,68 cm.

Prenons, par exemple, une résidence à deux étages dans laquelle vous désirez installer l'aspirateur au sous-sol. Les prises du premier étage peuvent facilement être raccordées à un tuyau principal installé au plafond du sous-sol. Toutefois, vous ne pouvez trouver de murs intérieurs exactement en ligne au premier et au second étage, libres de tout obstacle. Comment faire alors pour passer du sous-sol au grenier?

Voici certains points d'accès que vous pourriez utiliser dans votre maison.

**Garde-robes.** Dans certaines résidences, un garde-robe à l'étage est situé directement au-dessus d'un garde-robe du rez-de-chaussée. Il est alors facile de faire passer le tuyau d'un étage à l'autre en passant par ces garde-robes. Dans de tels cas, le tuyau passe souvent directement dans le garde-robe, sans être intégré au mur. Consultez la figure 21.

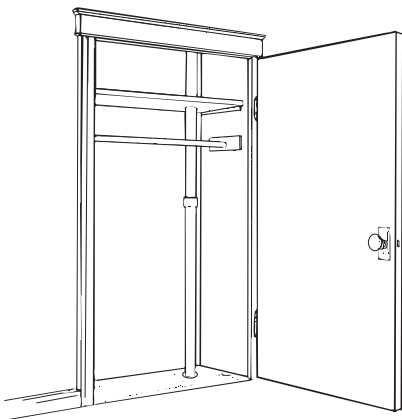


FIGURE 21

**Appareils ménagers intégrés.** Dans une résidence où la cuisine comprend des appareils ménagers intégrés, il arrive souvent que l'arrière de ces appareils soit libre. Lorsque cet endroit correspond à un espace sans obstacle au second étage ou à un garde-robe, cela peut constituer un point d'accès pour le second étage. Dans une résidence à un seul étage, ce point d'accès peut permettre de faire passer le tuyau entre l'aspirateur installé au sous-sol et le tuyau principal installé au grenier. Vous pouvez également envisager de faire passer des tuyaux dans les armoires ou les comptoirs. Consultez la figure 22A.

**Chute à linge.** La figure 22B décrit le passage d'un tuyau du sous-sol au grenier dans une chute à linge. L'espace réservé à un monte-charge pourrait servir à la même fin.

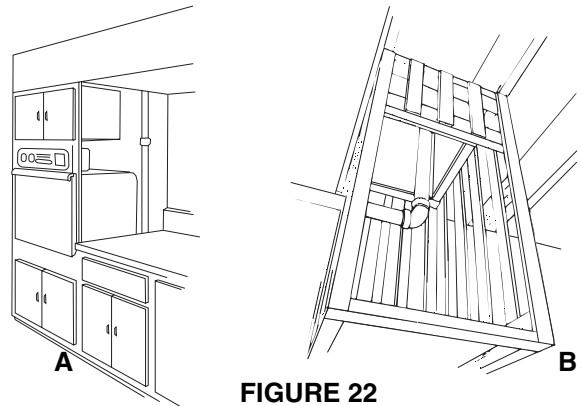


FIGURE 22

**Retour d'air froid.** Les conduits de retour d'air froid permettent souvent de passer directement du sous-sol aux autres étages de la maison. Il est facile de découper les conduits pour y faire passer les tuyaux. Il suffit de sceller l'extérieur du tuyau une fois son installation terminée. Consultez la figure 23.

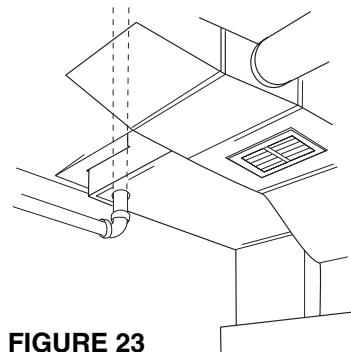
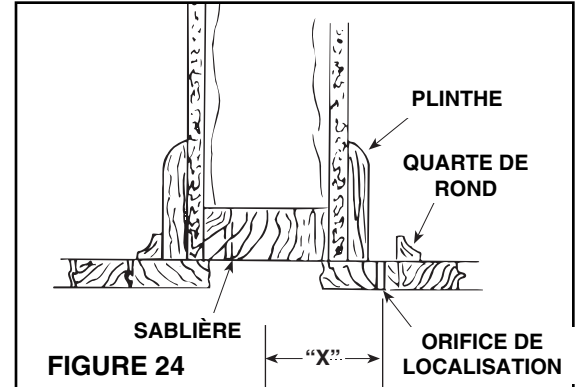


FIGURE 23

## INSTALLATION DES PRISES MURALES

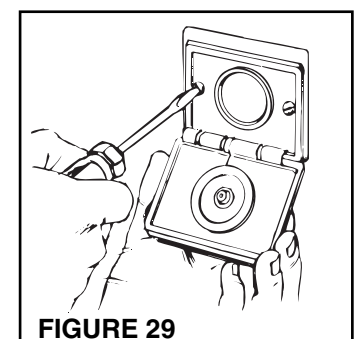
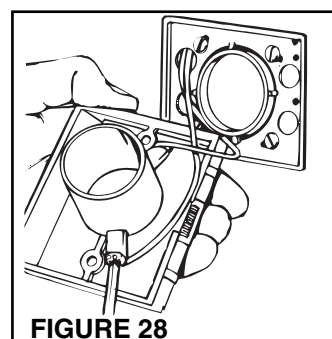
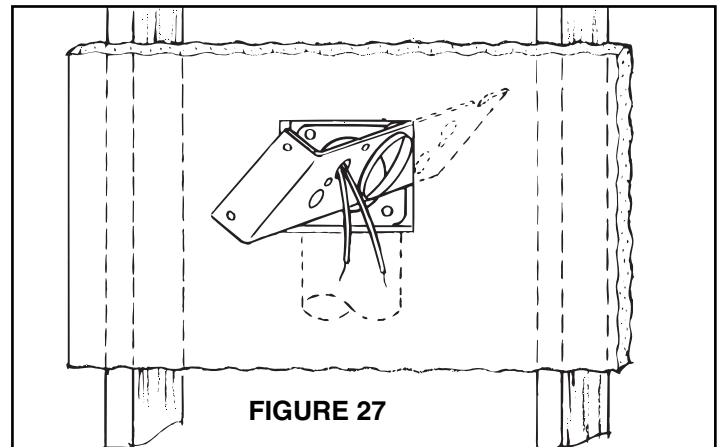
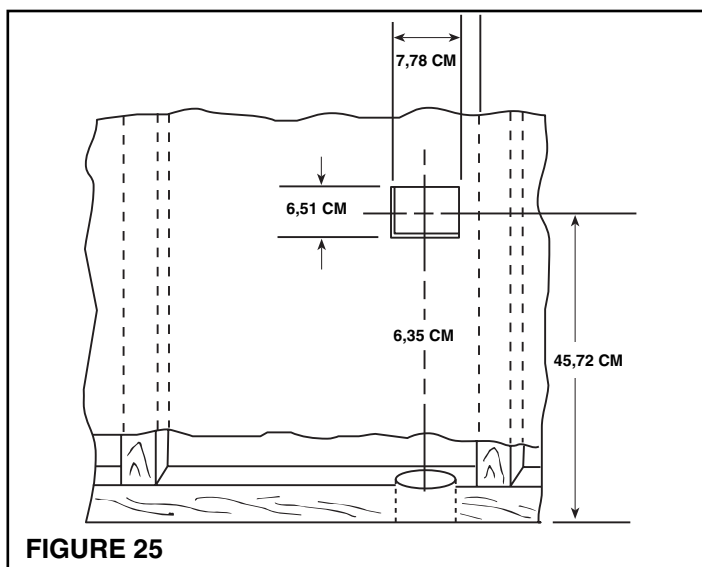
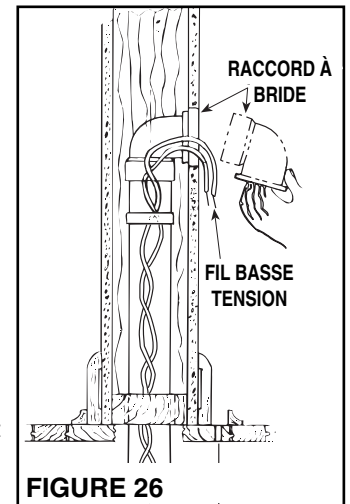
Suivez les procédures ci-après pour installer les prises murales dans une résidence existante.

1. Consultez la figure 24. Vous pouvez percer un petit orifice de localisation derrière la moulure de plancher pour déterminer l'emplacement approprié du trou de 6,35 cm de diamètre à percer dans la sablière.
2. Mesurez l'épaisseur totale du mur, y compris la plinthe. La moitié de l'épaisseur du mur, mesurée à partir de l'orifice de localisation (dimension X) permet de déterminer l'emplacement approprié de l'orifice de 6,35 cm du tuyau dans la sablière.
3. Une fois l'emplacement de la prise murale déterminé, percez un orifice de 6,35 cm dans la sablière, directement vis-à-vis l'emplacement désiré. Assurez-vous qu'il n'existe aucun obstacle pour le tuyau.
4. Assurez-vous que l'orifice du tuyau est bien centré dans la sablière, directement vis-à-vis l'emplacement prévu de la prise murale.



**NOTE: Si vous utilisez une prise murale modèle 330, consultez les directives d'installation à la page suivante.**

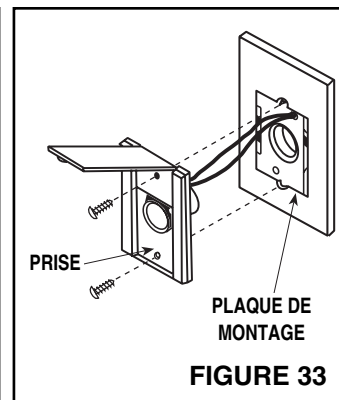
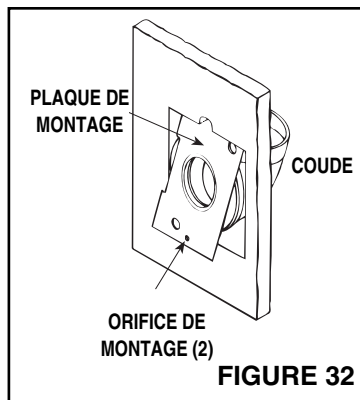
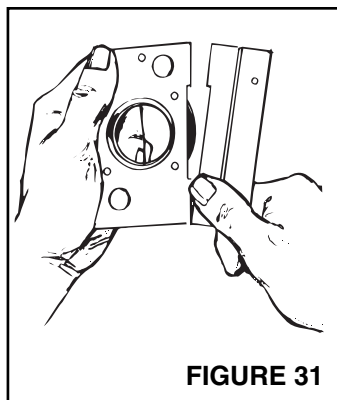
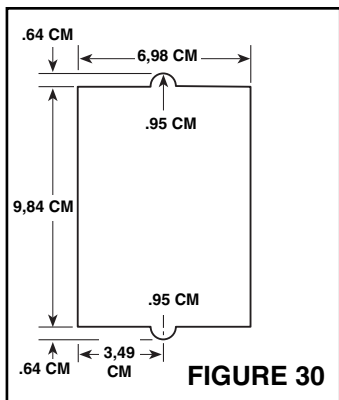
5. Lorsqu'il n'y a aucun obstacle, découpez un orifice dans le mur environ 45 cm au-dessus du plancher. Assurez-vous que l'orifice dans le mur est bien vis-à-vis l'orifice de 6,35 cm déjà percé pour le tuyau (figure 25).
6. Découpez une longueur de tuyau suffisante pour relier l'orifice de la prise murale à un point situé sous le plancher (ou au-dessus du plafond pour une installation dans le grenier). Fixez les fils basse tension au tuyau au moyen de ruban adhésif, puis insérez le tuyau dans l'orifice déjà percé vis-à-vis de la prise murale.
7. Appliquez de la colle sur le tube, puis installez le raccord à bride. Assurez-vous que le raccord est bien inséré et fixé (figure 26).
8. Retirez le cadre de la bride de montage. Faites passer les fils basse tension dans l'orifice de la bride, puis insérez cette dernière dans l'orifice du mur. Fixez la bride au raccord au moyen des quatre vis fournies. Assurez-vous que le raccord est bien fixé à la bride et qu'il n'y a aucun jour (figure 27).
9. À partir de la prise murale la plus éloignée de l'aspirateur, installez chacune des prises comme décrit ci-dessus. Toujours à partir de la prise la plus éloignée de l'aspirateur, raccordez chaque embranchement au tuyau principal. Faites suivre les fils basse tension en les fixant au moyen de ruban adhésif aux embranchements et au tuyau principal jusqu'à l'aspirateur.
10. Fixez les fils basse tension aux vis du bornier à l'arrière de la prise murale (figure 28).
11. Insérez la prise murale dans la bride, puis fixez-la au moyen des deux vis fournies (figure 29).
12. Installez l'aspirateur puis raccordez les fils. Consultez la page 7.



**NOTE : Si le mur où est installée la prise de modèle 360 a moins de 1,27 cm d'épaisseur, vous devez utiliser une plaque d'espacement. Consultez la figure 5A à la page 4.**

## INSTALLATION DE LA PRISE MURALE MODÈLE 330N

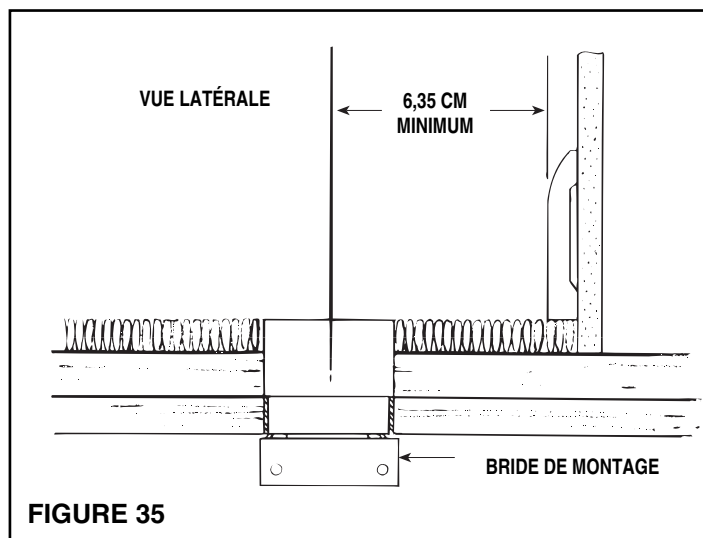
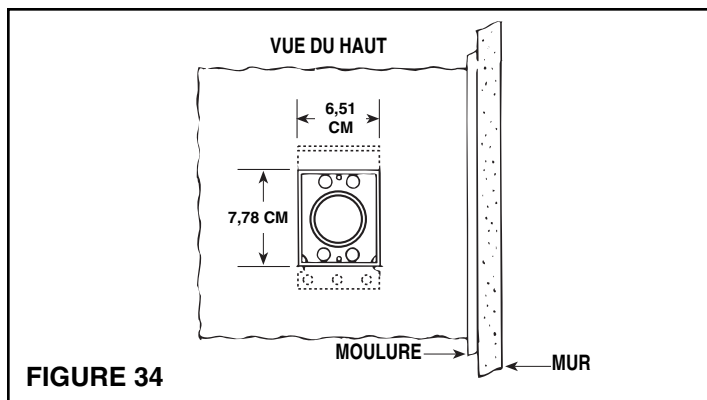
1. Découpez un orifice correspondant aux dimensions indiquées dans la figure 30.
2. Consultez la figure 31. Détachez la plaque de clouage à la ligne pointillée.
3. Consultez la figure 32. Collez le coude à la plaque de montage, insérez l'ensemble dans l'orifice, puis fixez le coude au tube à l'intérieur du mur.
4. Assurez-vous que les orifices de montage sont situés exactement dans le haut et le bas.
5. Raccordez les deux fils basse tension aux vis à l'arrière de la plaque murale.
6. Consultez la figure 33. Alignez les orifices de montage de la prise avec ceux de la plaque de montage, insérez la prise dans la plaque de montage, puis fixez-la au moyen des vis fournies. NOTE: Si vous utilisez un coude de modèle 382-S, vous pourriez avoir à utiliser des vis de montage plus courtes pour éviter toute interférence avec le coude.

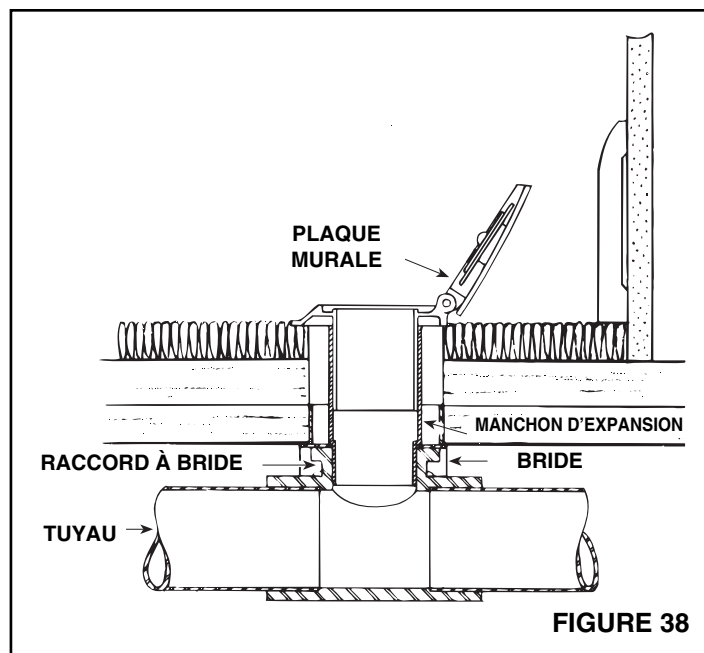
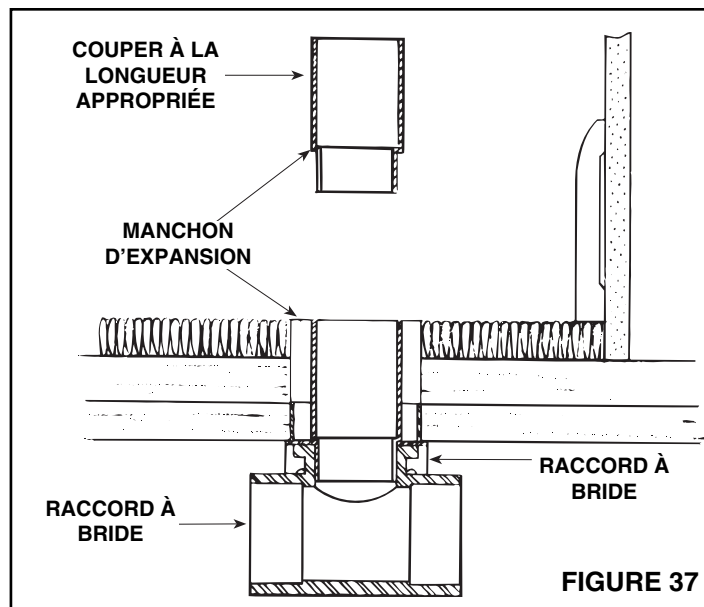
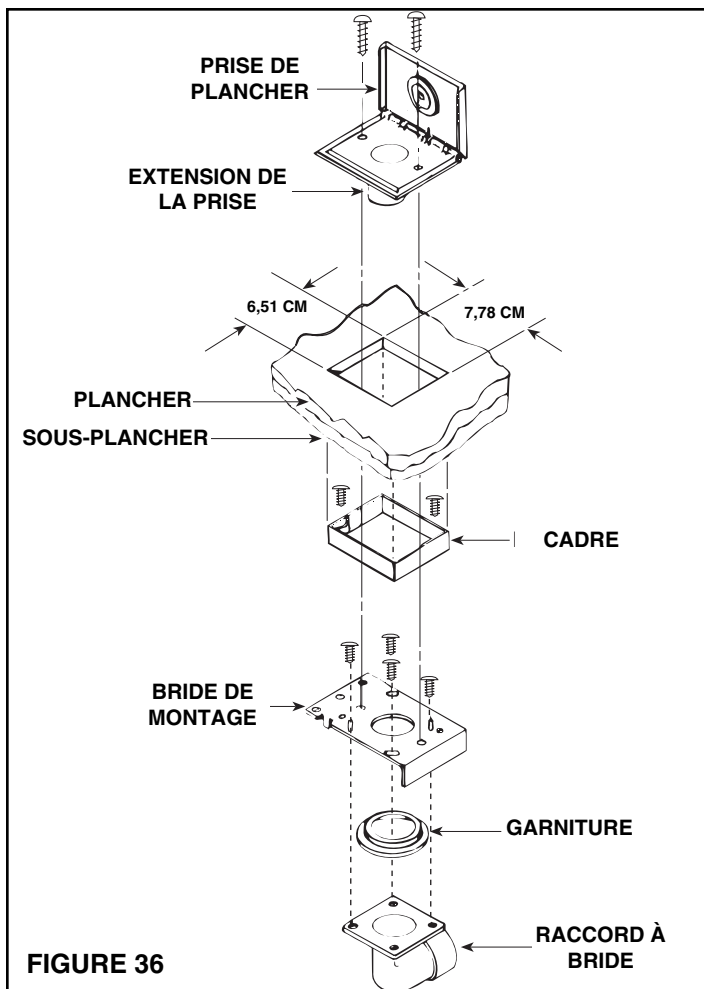


## INSTALLATION DES PRISES DE PLANCHER

### INSTALLATION DANS UNE NOUVELLE RÉSIDENCE OU DANS UNE RÉSIDENCE EXISTANTE

1. Consultez les figures 34 et 35. Après avoir déterminé l'emplacement de la prise de plancher, découpez un orifice rectangulaire de 7,78 cm sur 6,51 cm. Le point central de la prise doit être situé à au moins 6,35 cm du mur pour permettre l'ouverture du couvercle au moment de l'insertion du boyau.
2. Après avoir déterminé la direction du tuyau, fixez le raccord à bride approprié à la plaque de montage au moyen des quatre (4) vis fournies. Assurez-vous que la bride de la plaque de montage ne nuit pas au tuyau et insérez solidement la garniture.
3. Consultez la figure 36. Insérez la bride avec le cadre et le raccord à bride dans l'orifice, par le dessous, et fixez au plancher.
4. Consultez la figure 37. L'extrémité évasée du manchon d'expansion modèle 399 doit être coupée à la longueur désirée pour permettre la mise en place de la prise directement sur le plancher ou sur le tapis.
5. Consultez la figure 38. Faites passer les fils basse tension dans la bride de montage et fixez les aux vis à l'arrière de la prise de plancher. Collez le manchon d'expansion à la prise modèle 360. Insérez le manchon d'expansion dans la garniture de vinyle de la bride de montage, puis insérez-le solidement dans le raccord à bride.
6. Pour faciliter l'utilisation, la prise de plancher doit être installée de façon à s'ouvrir vers le mur.
7. Consultez la figure 36. Fixez la prise de plancher au moyen des deux vis fournies.





## VÉRIFICATION FINALE DU SYSTÈME

Assurez-vous que toutes les prises sont fermées et que le sac est bien installé dans l'aspirateur. Vérifiez l'interrupteur de l'aspirateur pour vous assurer de son bon fonctionnement manuel. Vérifiez si le voyant sur le côté de l'aspirateur est allumé et est vert.

Vérifiez chaque prise murale pour vous assurer que vous êtes en mesure d'y déclencher le fonctionnement de l'aspirateur lorsque le boyau y est inséré. Si vous ne possédez pas de boyau, vous pouvez utiliser un bout de fil pour établir le contact entre les deux contacts de la prise murale, nécessaire au démarrage de l'aspirateur. Vérifiez le raccordement de chaque prise murale au tuyau pour vous assurer qu'il n'y a aucune fuite d'air. Vérifiez l'aspiration et l'échappement de l'aspirateur pour vous assurer qu'il n'y a aucune fuite d'air.

Assurez-vous que le sac est bien installé dans l'aspirateur, conformément aux directives imprimées sur le sac et dans le guide de l'utilisateur. Retirez les sacs additionnels ainsi que le guide de l'utilisateur du réservoir de l'aspirateur. Il peut être commode de les placer avec les accessoires de l'aspirateur.

# NuTone®

## Garantie limitée de deux ans

**GARANTIE DU PROPRIÉTAIRE:** NuTone garantit à l'acheteur original de ses produits que ces derniers seront exempts de tout défaut de matériaux et de fabrication pour une période de deux (2) ans à compter de la date d'achat. **AUCUNE AUTRE GARANTIE, IMPLICITE OU EXPRESSE, N'EST DONNÉE, Y COMPRIS, MAIS SANS S'Y LIMITER, GARANTIE DE MARCHANDIBILITÉ OU D'ADAPTATION À UN USAGE PARTICULIER.**

Pendant cette période de deux ans, NuTone procédera au remplacement ou à la réparation sans aucuns frais, mais à sa propre discrétion, de tout produit ou pièce jugé défectueux dans le cadre d'une utilisation normale. **CETTE GARANTIE NE VISE PAS LES DISPOSITIFS D'AMORÇAGE NI LES TUBES DES LUMINAIRES FLUORESCENTS.** Cette garantie ne couvre pas (a) l'entretien et le service courants ni (b) les produits et les pièces ayant fait l'objet d'un usage abusif, de négligence, d'un accident, d'un entretien ou d'une réparation non appropriée (par du personnel non autorisé par NuTone), d'une mauvaise installation ou d'une installation non conforme aux directives d'installation fournies.

La durée de toute garantie implicite est limitée à la période de deux ans précisée pour la garantie expresse. Certains états ne reconnaissent pas les restrictions relatives à la durée des garanties implicites; il se pourrait donc que cette restriction ne s'applique pas dans votre cas.

**LE REMPLACEMENT OU LA RÉPARATION PAR NUTONE, À SA PROPRE DISCRÉTION, DE TOUT PRODUIT OU PIÈCE DÉFECTUEUX CONSTITUE LE SEUL REMÈDE DE L'ACHETEUR EN VERTU DE CETTE GARANTIE. NUTONE NE PEUT ÊTRE TENUE RESPONSABLE DES DOMMAGES INDIRECTS, CONSÉCUTIFS OU SPÉCIAUX ATTRIBUABLES À L'UTILISATION OU AU RENDEMENT DU PRODUIT.** Certains états ne reconnaissent pas les restrictions ni les exclusions relatives aux dommages indirects, consécutifs ou spéciaux; il se pourrait donc que cette restriction ne s'applique pas dans votre cas. La présente garantie vous accorde des droits spécifiques, mais vous pourriez aussi avoir d'autres droits en fonction de l'état dans lequel vous résidez. Cette garantie remplace toute autre garantie donnée précédemment.

**SERVICE SOUS GARANTIE** Pour être admissible au service sous garantie, vous devez (a) aviser NuTone, à l'adresse fournie ci-dessous ou par téléphone au 1 800 543-3687, (b) fournir le numéro du modèle et la description de la pièce et (c) décrire la nature du défaut de la pièce ou du produit. Au moment de la demande de service sous garantie, vous devez fournir une preuve de la date d'achat originale.

Date d'installation

Entrepreneur ou installateur

N° de modèle et description du produit

### POUR OBTENIR DE L'ASSISTANCE OU DU SERVICE:

Pour connaître le Centre de service NuTone autorisé indépendant le plus proche:

**Résidents des États-Unis continentaux, composez le numéro sans frais: 1 800 543 8687**

Garder à portée de la main le numéro du modèle, la date et la preuve d'achat, le type de problème.

**Résidents de l'Alaska et d'Hawaii:** Écrivez à NuTone Inc. Attn: Department of National Field Service, 4820 Red Bank Road, Cincinnati Ohio USA 45227-1599.

**Résidents du Canada:** Écrivez à Broan-NuTone Canada, 1140 Tristar Drive, Mississauga, Ontario Canada L5T 1H9.

Rev. 03/2001

Les caractéristiques peuvent être modifiées sans préavis

4820 Red Bank Road, Cincinnati, Ohio 45227

Imprimé aux E.-U.