

Bathroom Ventilator

MODEL: F305C

IMPORTANT SAFETY INSTRUCTIONS

WARNING: TO REDUCE THE RISK OF FIRE, ELECTRIC SHOCK, OR INJURY TO PERSONS, OBSERVE THE FOLLOWING:

- A. Use this unit only in the manner intended by the manufacturer. If you have questions, contact the manufacturer.
- B. Before servicing or cleaning unit, switch power off at service panel and lock service panel to prevent power from being switched on accidentally. When the service disconnecting means cannot be locked, securely fasten a prominent warning device, such as a tag, to the service panel.

CAUTION:

For general ventilating use only. Do not use to exhaust hazardous or explosive materials and vapors.

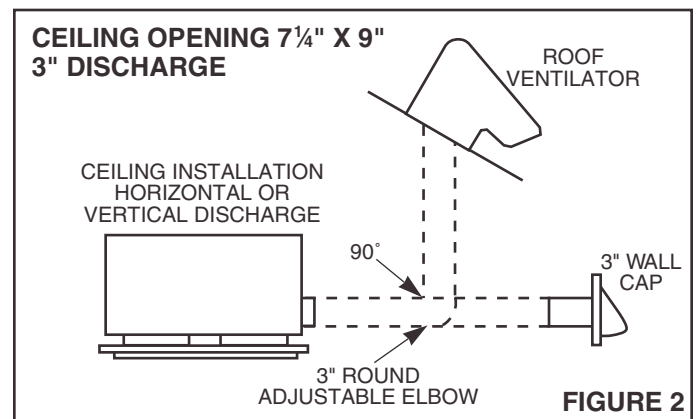
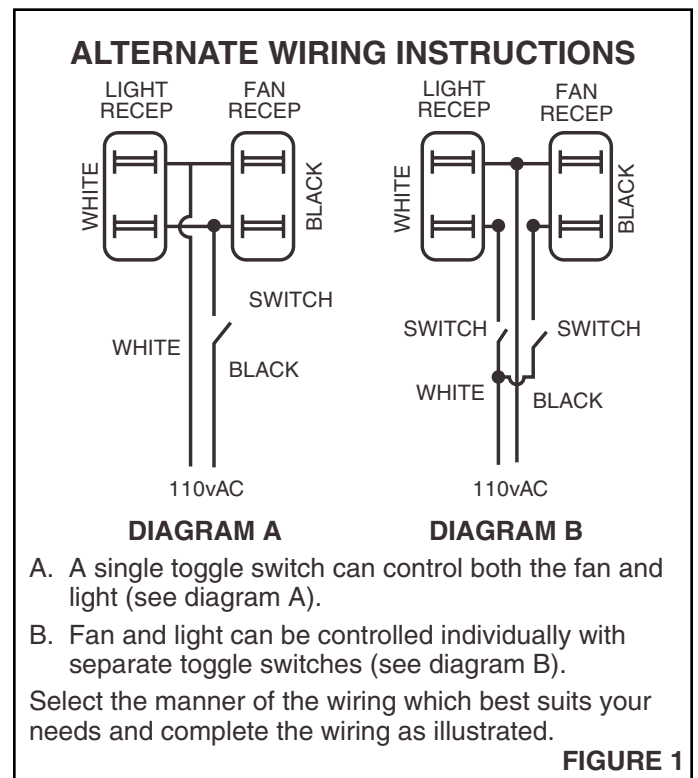
INSTALLATION INSTRUCTIONS

WARNING: TO REDUCE THE RISK OF FIRE, ELECTRIC SHOCK, OR INJURY TO PERSONS, OBSERVE THE FOLLOWING:

- A. Installation work and electrical wiring must be done by qualified person(s) in accordance with all applicable codes and standards, including fire-rated construction.
 - B. Sufficient air is needed for proper combustion and exhausting of gases through the flue (chimney) of fuel burning equipment to prevent back drafting. Follow the heating equipment manufacturer's guideline and safety standards such as those published by the National Fire Protection Association (NFPA), and the American Society for Heating, Refrigeration and Air Conditioning Engineers (ASHRAE), and the local code authorities.
 - C. When cutting or drilling into wall or ceiling, do not damage electrical wiring and other hidden utilities.
 - D. Ducted fans must always be vented to the outdoors.
 - E. If this unit is to be installed over a tub or shower, it must be marked as appropriate for the application.
 - F. NEVER place a switch where it can be reached from a tub or shower.
- **MINIMUM CLEARANCE IN CEILING 5 $\frac{3}{8}$ ".**
 - For ceiling installation only.
 - **WARNING:** To reduce the risk of fire or electrical shock, do not use this fan with any solid state speed control device.
 - Installation must be in accordance with local and national electrical codes.
 - Not for use in kitchens.

ALTERNATE WIRING INSTRUCTIONS

1. Remove both grille-reflector-socket assembly and motor-blade assembly from housing and set aside. This step is not required in bulk packed unit.
2. Hold housing to joist and nail in place through the slotted holes in the mounting ears. Adjust housing edge so that it will be flush with finished plaster line. Then drive nails through round holes in hanger to secure.



3. Refer to Figure 1. Pull wire through knockout into housing. Make connection and replace receptacle cover. Ground unit to screw inside of switch box.
4. Refer to Figure 2. Add 3" duct to vent outside. Use roof ventilator or wall cap depending on style of installation being used.
5. Replace motor-blade assembly making sure plug is toward receptacle and tighten in place. Plug cord into receptacle.
6. Plug light socket cord into receptacle. Replace grille-reflector-socket assembly and tighten in place with nut.
7. Install light bulb (not included) in socket. 100 watt maximum. Insert lens. If lens appears to be slightly larger than opening in grille, rotate lens 90° and try inserting lens again.

NuTone®

One Year Limited Warranty

WARRANTY OWNER: NuTone warrants to the original consumer purchaser of its products that such products will be free from defects in materials or workmanship for a period of one (1) year from the date of original purchase. **THERE ARE NO OTHER WARRANTIES, EXPRESS OR IMPLIED, INCLUDING, BUT NOT LIMITED TO, IMPLIED WARRANTIES OF MERCHANTABILITY OR FITNESS FOR A PARTICULAR PURPOSE.**

During this one year period, NuTone will, at its option, repair or replace, without charge, any product or part which is found to be defective under normal use and service. **THIS WARRANTY DOES NOT EXTEND TO FLUORESCENT LAMP STARTERS OR TUBES, FILTERS, DUCT, ROOF CAPS, WALL CAPS AND OTHER ACCESSORIES FOR DUCTING.** This warranty does not cover (a) normal maintenance and service or (b) any products or parts which have been subject to misuse, negligence, accident, improper maintenance or repair (other than by NuTone), faulty installation or installation contrary to recommended installation instructions.

The duration of any implied warranty is limited to the one year period as specified for the express warranty. Some states do not allow limitation on how long an implied warranty lasts, so the above limitation may not apply to you.

NUTONE'S OBLIGATION TO REPAIR OR REPLACE, AT NUTONE'S OPTION, SHALL BE THE PURCHASER'S SOLE AND EXCLUSIVE REMEDY UNDER THIS WARRANTY. NUTONE SHALL NOT BE LIABLE FOR INCIDENTAL, CONSEQUENTIAL OR SPECIAL DAMAGES ARISING OUT OF OR IN CONNECTION WITH PRODUCT USE OR PERFORMANCE. Some states do not allow the exclusion or limitation of incidental or consequential damages, so the above limitation or exclusion may not apply to you. This warranty gives you specific legal rights, and you may also have other rights, which vary from state to state. This warranty supersedes all prior warranties.

WARRANTY SERVICE: To qualify for warranty service, you must (a) notify NuTone at the address stated below or telephone 1/800-543-8687, (b) give the model number and part identification and (c) describe the nature of any defect in the product or part. At the time of requesting warranty service, you must present evidence of the original purchase date.

Date of Installation

Builder or Installer

Model No. and Product Description

IF YOU NEED ASSISTANCE OR SERVICE:

For the location of your nearest NuTone Independent Authorized Service Center:

Residents of the contiguous United States Dial Free 1-800-543-8687

Please be prepared to provide:

Product model number • Date and Proof of purchase • The nature of the difficulty

Residents of Alaska or Hawaii should write to: NuTone Inc. Attn: Department of National Field Service, 4820 Red Bank Road, Cincinnati Ohio 45227-1599.

Residents of Canada should write to: Broan-NuTone Canada, 1140 Tristar Drive, Mississauga, Ontario, Canada L5T 1H9.

Rev. 03/2001

Product specifications subject to change without notice.

NuTone®

4820 Red Bank Road, Cincinnati, Ohio 45227-1599

Printed in U.S.A., Rev. 03/2001, Part No. 89438