

Remote Outdoor Control

MODEL: IC-321WHW

For use with IM-3204 Series Radio-Intercom System to operate (1) ISA-77 or (1) IS-79 outside speakers.

- Designed for OUTDOOR use only.
Use Model IC-321WH for indoor installation.

LOCATION

- The remote control should be located near the speaker which it will control and at a convenient operating height (approximately 50" to 60" from the ground.)

MOUNTING THE ROUGH-IN FRAME

Refer to figure 1. The frame must be mounted in horizontal position.

1. Nail or screw the frame to the wall through four (4) mounting holes.
2. Frame should be caulked around edge flush to wall.

WIRING

- Use only NuTone specified wire. Refer to the instructions included with the master station for complete system information.
- The remote control requires NuTone IW-4UL cable from the master station to the remote control location and NuTone IW-2UL twisted pair (22/2) cable from the remote control to the speaker.

1. Refer to Figure 1. Pull wires through hole in back of frame.
2. Refer to Figure 2. Remove plastic clip that holds the rubber gasket to the printed circuit board.
3. Refer to Figure 3. Connect color-coded wires (IW-4UL) from master unit to the matching terminal screws on the remote control's printed circuit board as follows: red stripe insulation wire to terminal marked RED STRIPE; silver wire to terminal marked SILVER WIRE; copper wire to terminal marked BLUE STRIPE.
4. If push-on terminals are attached to the ends of the remote control's speaker wires, cut off terminals and strip wires to make wiring connections to the speaker.
5. Connect IW-2UL cable from the speaker to the remote control's two speaker wires.
6. Fold rubber gasket over terminal screw connection. Secure the gasket to printed circuit board by sliding the plastic clip over the gasket and printed circuit board.

MOUNTING THE REMOTE CONTROL

1. Carefully place excess wire behind the mounting frame.
2. Refer to Figure 1. When finished wall is in place, secure the remote control to the rough-in with (2) mounting screws (furnished).

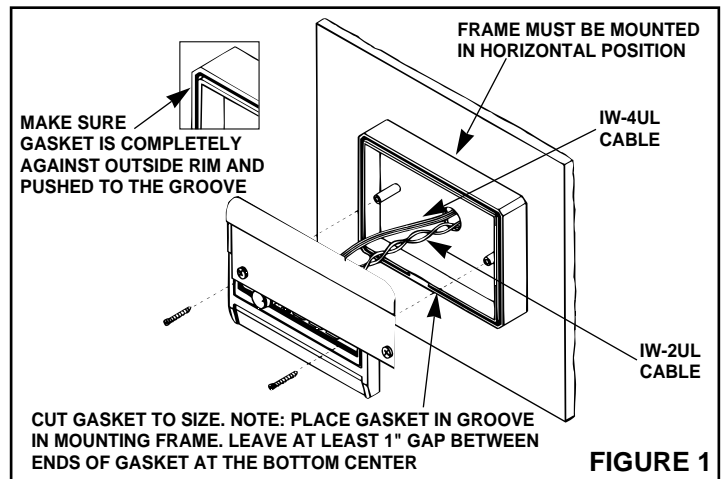


FIGURE 1

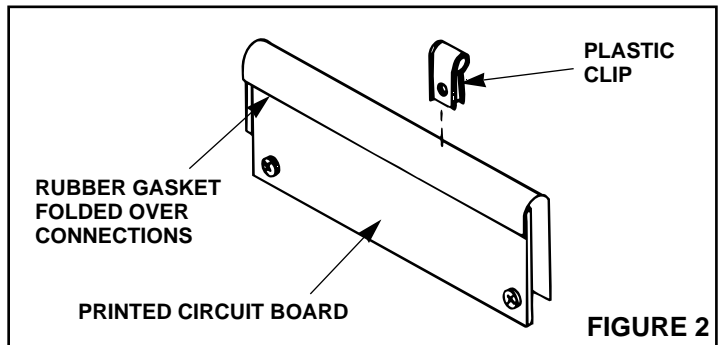


FIGURE 2

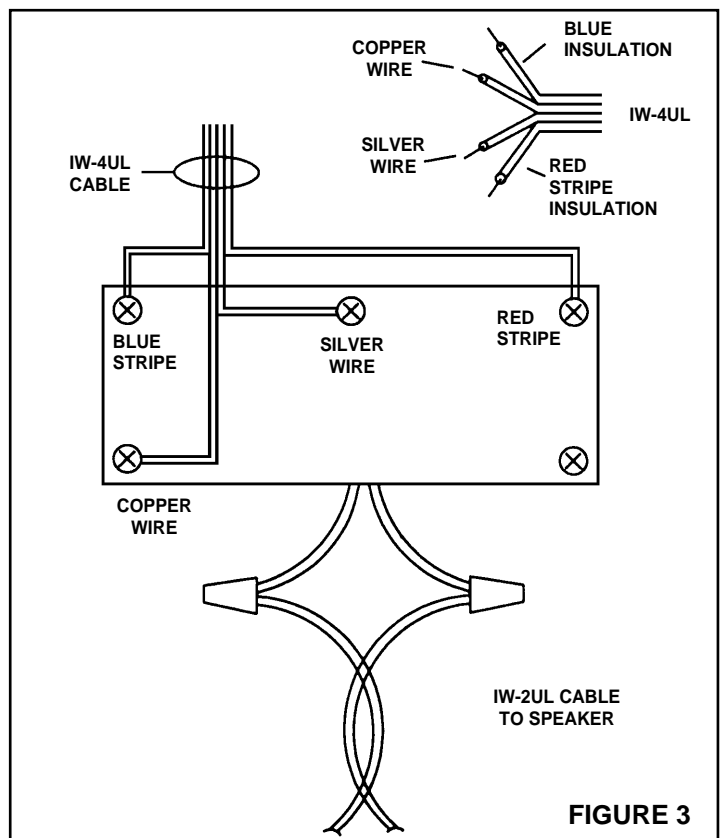


FIGURE 3

NuTone®

Two Year Limited Warranty

WARRANTY OWNER: NuTone warrants to the original consumer purchaser of its products that such products will be free from defects in materials or workmanship for a period of two (2) years from the date of original purchase. **THERE ARE NO OTHER WARRANTIES, EXPRESS OR IMPLIED, INCLUDING, BUT NOT LIMITED TO, IMPLIED WARRANTIES OF MERCHANTABILITY OR FITNESS FOR A PARTICULAR PURPOSE.**

During this two year period, NuTone will, at its option, repair or replace, without charge, any product or part which is found to be defective under normal use and service. THIS WARRANTY DOES NOT EXTEND TO FLUORESCENT LAMP STARTERS OR TUBES, FILTERS, DUCT, ROOF CAPS, WALL CAPS AND OTHER ACCESSORIES FOR DUCTING. This warranty does not cover (a) normal maintenance and service or (b) any products or parts which have been subject to misuse, negligence, accident, improper maintenance or repair (other than by NuTone), faulty installation or installation contrary to recommended installation instructions.

The duration of any implied warranty is limited to the one year period as specified for the express warranty. Some states do not allow limitation on how long an implied warranty lasts, so the above limitation may not apply to you.

NUTONE'S OBLIGATION TO REPAIR OR REPLACE, AT NUTONE'S OPTION, SHALL BE THE PURCHASER'S SOLE AND EXCLUSIVE REMEDY UNDER THIS WARRANTY. NUTONE SHALL NOT BE LIABLE FOR INCIDENTAL, CONSEQUENTIAL OR SPECIAL DAMAGES ARISING OUT OF OR IN CONNECTION WITH PRODUCT USE OR PERFORMANCE. Some states do not allow the exclusion or limitation of incidental or consequential damages, so the above limitation or exclusion may not apply to you. This warranty gives you specific legal rights, and you may also have other rights, which vary from state to state. This warranty supersedes all prior warranties.

WARRANTY SERVICE: To qualify for warranty service, you must (a) notify NuTone at the address stated below or telephone 1/800-543-8687, (b) give the model number and part identification and (c) describe the nature of any defect in the product or part. At the time of requesting warranty service, you must present evidence of the original purchase date.

Date of Installation

Builder or Installer

Model No. and Product Description

IF YOU NEED ASSISTANCE OR SERVICE:

For the location of your nearest NuTone Independent Authorized Service Center:

Residents of the contiguous United States Dial Free 1-800-543-8687

Please be prepared to provide:

Product model number • Date and Proof of purchase • The nature of the difficulty

Residents of Alaska or Hawaii should write to: NuTone Inc. Attn: Department of National Field Service, Madison and Red Bank Roads, Cincinnati Ohio 45227-1599.

Residents of Canada should write to: Broan-NuTone Canada, 1140 Tristar Drive, Mississauga, Ontario, Canada L5T 1H9.

Rev. 01/2000