

Rough-In Housing for Remote Controls

MODEL: IR-81

Housing for models IC-401, IC-301 or IC-201 Remote Controls

LOCATION

- The remote control should be located near the speaker which it will control and at a convenient operating height (approximately 50" to 60" from the floor).
- For mounting purposes, locate remote control frame next to wall stud.

MOUNTING

- To accommodate remote control panel, allow minimum clearance - on all sides - of two inches (2"). Wall depth required: 3/4"
- The IR-81 frame must be mounted in **horizontal** position as shown in Figures 1 and 2.

NEW CONSTRUCTION (Plaster and Dry Wall)

Refer to Figure 1

1. To insure that remote control fits flush to wall, face plaster ring toward finished side of wall.
2. Nail or screw one side of frame to wall stud.

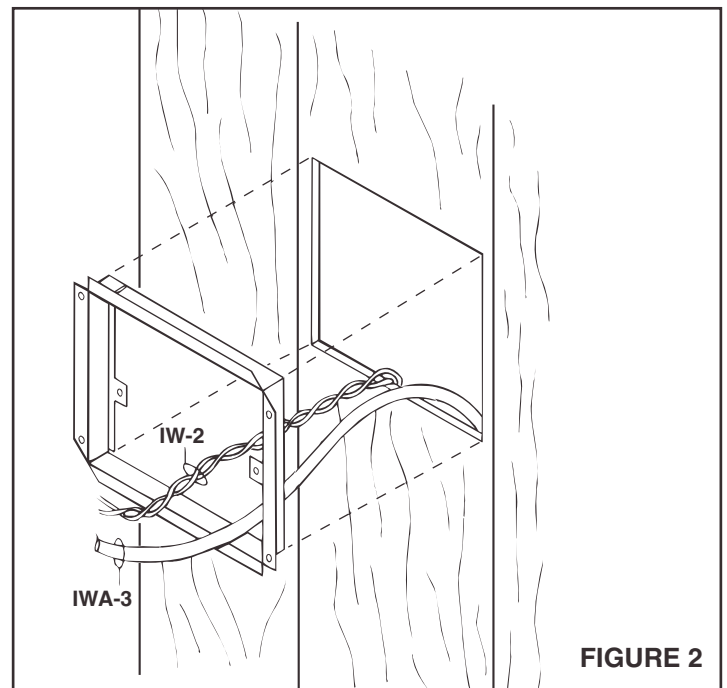
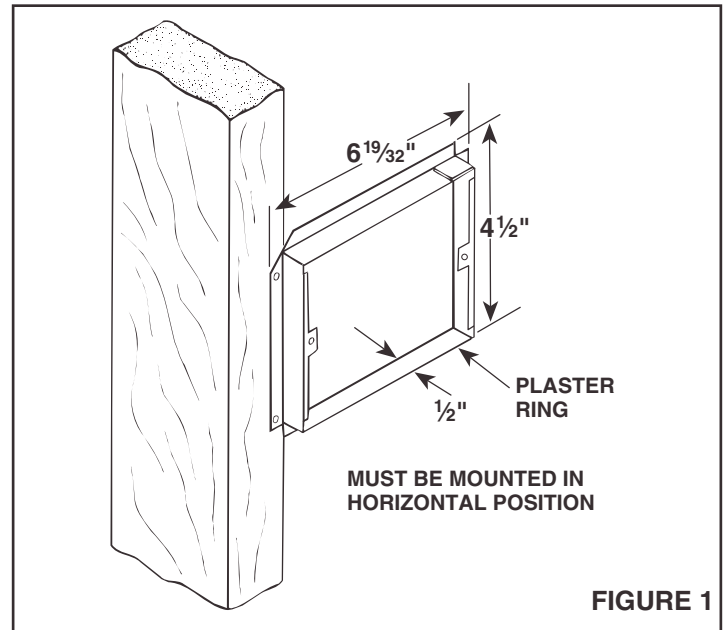
EXISTING CONSTRUCTION

1. Make sure area behind wall where frame will be located is free of obstructions.
2. **Refer to Figure 2.** Use the IR-81 frame as a template for the required cutout. Place the frame's plaster ring against the wall at the desired location. Mark a line around the outer edge.
3. Make rough-in cutout.
4. Insert frame into cutout and mark location of four (4) mounting holes.
5. Remove frame and drill four (4) pilot holes.
6. Reinsert frame in cutout and secure to wall with four (4) screws.

WIRING

1. Wiring should be installed when system is rough-in. Leave sufficient wire (at least 1 foot) for connection to remote control
2. Connect color-coded wires (IWA-3 cable) from master unit to the matching terminal screws on the remote control's printed circuit board as follows: red-stripe wire to terminal marked RED-STRIPE; grey wire to terminal marked GREY/CENTER; blue wire to terminal marked BLUE/COPPER.
3. Run 2-conductor IW-2 wire from remote control location to speaker location.

**IMPORTANT: Use only NuTone specified wire.
See master unit installation instructions for complete system installation.**



For warranty information refer to the system's Home Owner's Manual. If Home Owner's Manual has been misplaced, write to: NuTone, Madison and Red Bank Rds., Cincinnati, Ohio 45227. Attn.: Consumer Relations Dept.

Product specifications subject to change without notice.

NuTone®

Madison and Red Bank Roads, Cincinnati, Ohio 45227
Printed in U.S.A., Rev. 7/93, Part No. 48825