

## NuTone Model IR-9 Speaker Frame

**FOR USE WITH NUTONE 8" OUTSIDE  
BUILT-IN SPEAKER.**

### MOUNTING

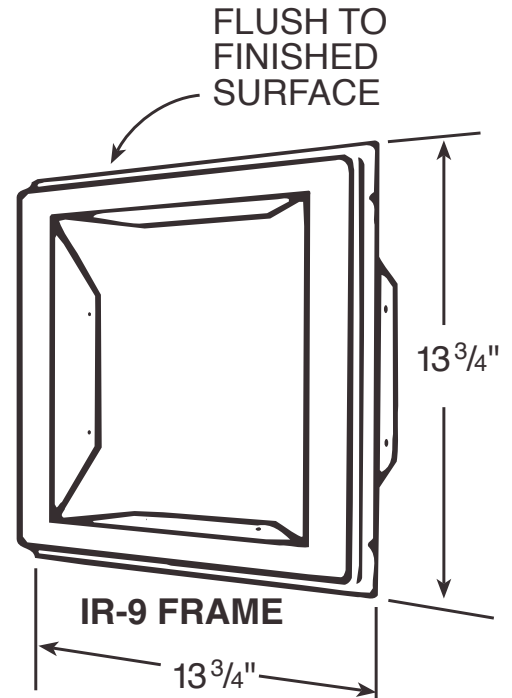
The Speaker Frame requires an opening of 11<sup>1</sup>/<sub>16</sub>" high x 10<sup>1</sup>/<sub>16</sub>" wide. For wood construction, slots are provided on each side for mounting. In construction other than wood, rough-in frames must be grouted in place. A minimum wall depth of 2<sup>1</sup>/<sub>2</sub>" is required.

To avoid feedback interference, do not place any speaker and/or master station housings back to back or in a common wall between rooms.

### WIRING

The wiring should be installed when the system is roughed-in. Leave sufficient wire for connection to speaker (approximately 1 foot). Use only NuTone specified wire. Refer to master unit Installation Instructions to assure proper system operation.

**NOTE: REMOTE CONTROL MUST BE USED WITH NUTONE MODEL IS-79 OUTSIDE SPEAKER. The Remote Control must be mounted in the Model IA-9 Surface Mounted Weathershield. Refer to the instructions packaged with the Weathershield.**



## NuTone®

### Two Year Limited Warranty

**WARRANTY OWNER:** NuTone warrants to the original consumer purchaser of its products that such products will be free from defects in materials or workmanship for a period of two (2) years from the date of original purchase. **THERE ARE NO OTHER WARRANTIES, EXPRESS OR IMPLIED, INCLUDING, BUT NOT LIMITED TO, IMPLIED WARRANTIES OF MERCHANTABILITY OR FITNESS FOR A PARTICULAR PURPOSE.**

**During this two year period,** NuTone will, at its option, repair or replace, without charge, any product or part which is found to be defective under normal use and service. **THIS WARRANTY DOES NOT EXTEND TO FLUORESCENT LAMP STARTERS OR TUBES, FILTERS, DUCT, ROOF CAPS, WALL CAPS AND OTHER ACCESSORIES FOR DUCTING.** This warranty does not cover (a) normal maintenance and service or (b) any products or parts which have been subject to misuse, negligence, accident, improper maintenance or repair (other than by NuTone), faulty installation or installation contrary to recommended installation instructions.

The duration of any implied warranty is limited to the one year period as specified for the express warranty. Some states do not allow limitation on how long an implied warranty lasts, so the above limitation may not apply to you.

**NUTONE'S OBLIGATION TO REPAIR OR REPLACE, AT NUTONE'S OPTION, SHALL BE THE PURCHASER'S SOLE AND EXCLUSIVE REMEDY UNDER THIS WARRANTY. NUTONE SHALL NOT BE LIABLE FOR INCIDENTAL, CONSEQUENTIAL OR SPECIAL DAMAGES ARISING OUT OF OR IN CONNECTION WITH PRODUCT USE OR PERFORMANCE.** Some states do not allow the exclusion or limitation of incidental or consequential damages, so the above limitation or exclusion may not apply to you. This warranty gives you specific legal rights, and you may also have other rights, which vary from state to state. This warranty supersedes all prior warranties.

**WARRANTY SERVICE:** To qualify for warranty service, you must (a) notify NuTone at the address stated below or telephone 1/800-543-8687, (b) give the model number and part identification and (c) describe the nature of any defect in the product or part. At the time of requesting warranty service, you must present evidence of the original purchase date.

---

Date of Installation \_\_\_\_\_ Builder or Installer \_\_\_\_\_

---

Model No. and Product Description \_\_\_\_\_

**IF YOU NEED ASSISTANCE OR SERVICE:**  
 For the location of your nearest NuTone Independent Authorized Service Center:  
**Residents of the contiguous United States Dial Free 1-800-543-8687**  
 Please be prepared to provide:  
 Product model number • Date and Proof of purchase • The nature of the difficulty

**Residents of Alaska or Hawaii should write to:** NuTone Inc. Attn: Department of National Field Service, 4820 Red Bank Road, Cincinnati Ohio 45227-1599.  
**Residents of Canada should write to:** Broan-NuTone Canada, 1140 Tristar Drive, Mississauga, Ontario, Canada L5T 1H9.

Rev. 03/2001