

Rough-In Housing

MODEL: IR-91

For use with NuTone IC-502 or IC-502W Remote Controls with the IM-5000 or IM-5006 Intercom Systems or with IC-331 and IC-441 Remote Controls.

LOCATION

1. Locate speaker frame at a convenient operating height – approximately 4½ feet above the floor.
2. For mounting purposes, locate speaker next to a wall stud.
3. To avoid feedback, do not locate any speaker and/or Master Station housings back to back or in a common wall between rooms.

MOUNTING

- To accommodate the speaker panel, allow a minimum clearance - on all sides of rough-in frame - of two inches (2"). Wall depth required: 1½".
- **The IR-91 must be mounted in horizontal position, as shown in the illustrations.**

NEW CONSTRUCTION

Refer to Figure 1

1. Position frame against wall stud as shown in Figure 1.
 2. Use nails or wood screws to secure frame to wall stud.
- NOTE TO INSTALLER: When drywall is installed, make sure location of frame is clearly marked.**

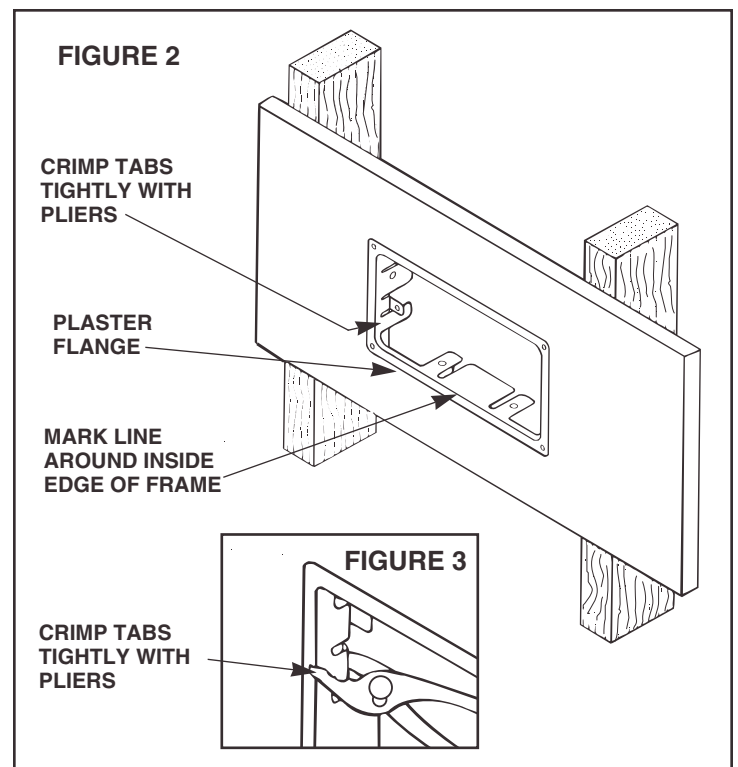
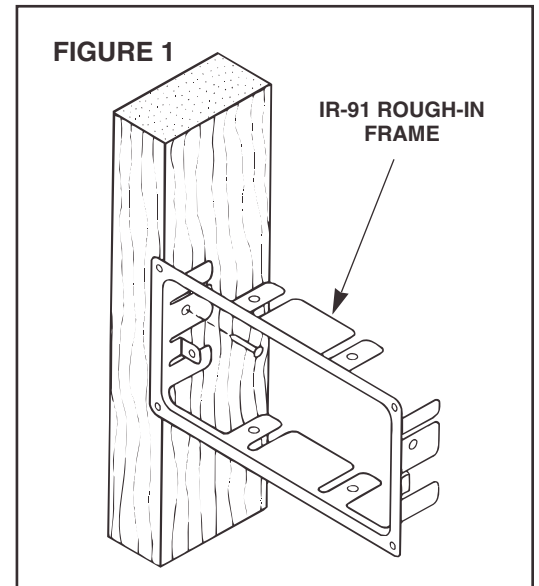
EXISTING CONSTRUCTION

Mounting Directly to Wall Stud

1. Locate frame right next to wall stud.
2. Make sure area behind wall where frame will be located is free of obstructions.
3. **Refer to Figure 2.** Use the frame as a template for marking the required cutout. Place the frame's plaster flange against the wall at the desired location. Mark a line around the inside edge of the frame.
4. Make the cutout next to the wall stud. Carefully cut along the inside of the marked line.
5. **Refer to Figure 2.** Insert frame into cutout. Use nails or wood screws to secure frame to wall stud.
6. **Refer to Figure 3.** Secure other side of frame to drywall by bending mounting tabs back. Crimp tabs tightly with pliers.

MOUNTING BETWEEN WALL STUDS

1. Determine frame location between wall studs. Make sure area behind wall is free from obstructions.
2. Use the frame as a template for marking the required cutout. Place the frame's plaster flange against the wall at the required location. Mark a line around the inside edge of the frame.
3. Make the cutout. Carefully cut along the inside of the marked line.
4. **Refer to Figure 2.** Insert frame into cutout. Secure frame to wall by bending at least 4 of the mounting tabs back. Crimp tabs tightly with pliers so that wall is sandwiched between frame's plaster flange and the mounting tabs.



WIRING

IMPORTANT: Use only NuTone specified wire. See Master Unit installation instructions for complete system installation.

1. The wiring should be installed when the intercom system is roughed-in. Leave sufficient wire (at least 1 foot) for connections to speaker.
2. Run wire (IW-6, six-conductor cable) from speaker location to master unit location.

Product specifications subject to change without notice.