

NuTone

INSTALLATION INSTRUCTIONS
READ & SAVE THESE INSTRUCTIONS!

5" Inside Speaker

MODEL: IS-335 SERIES

For use with Model IM-3303 Radio-Intercom System.

MOUNTING THE ROUGH-IN FRAME

Refer to the instructions included with Model IR-50 Rough-In Frame.

New Construction

- During the early stages of construction, mount the rough-in frame to a wall stud.
- Run the wiring (NuTone IWA-3, three-conductor ribbon cable) from the master unit to the speaker location.
- The speaker is mounted to the rough-in frame once the finished wall is in place.

Existing Construction

- Prepare the required cutout to the finished wall. The rough-in frame may be mounted directly to or between wall studs.

WIRING

Refer to Figure 1. Connect color-coded wires from the Master Station to matching terminal screws located on the speaker's printed circuit board.

Wire Matching

- When updating an existing system, refer to this chart to match the "copper/center/silver" designations of an older system with the "blue/grey/red stripe" color-coded wire.

EXISTING CABLE	NEW CABLE
WIRE	INSULATION
Copper	Blue
Center	Grey
Silver	Red Stripe

MOUNTING THE SPEAKER

1. Refer to Figure 2. Carefully place wires inside wall.
2. Secure the speaker to the frame with the two screws provided.

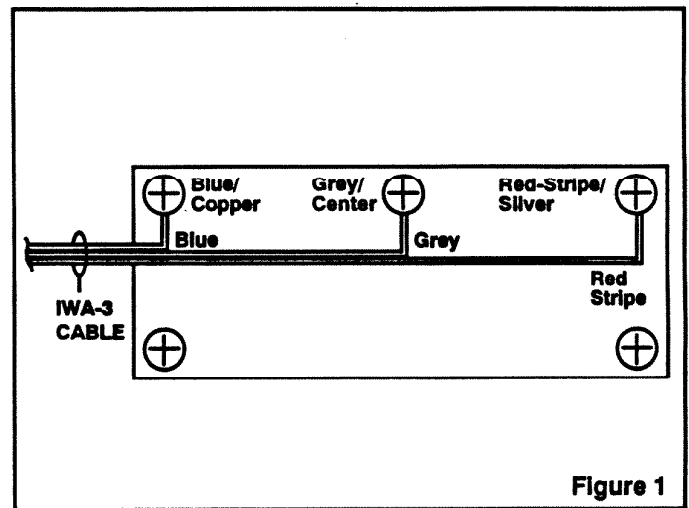


Figure 1

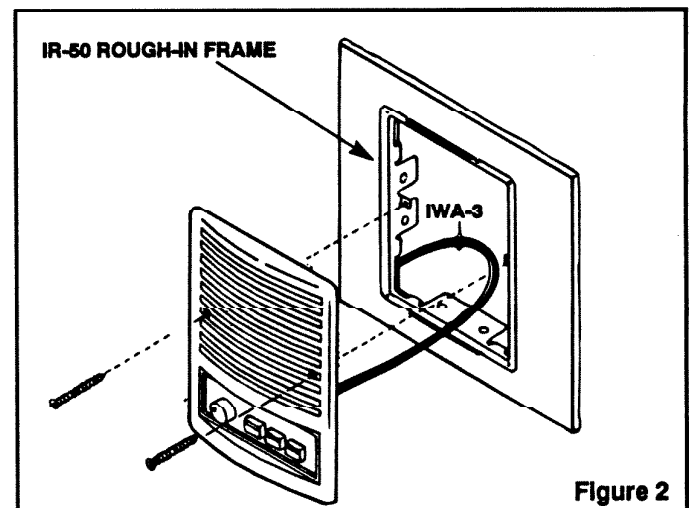


Figure 2