

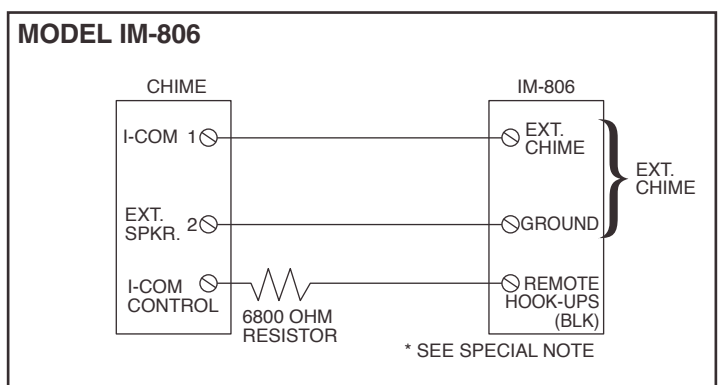
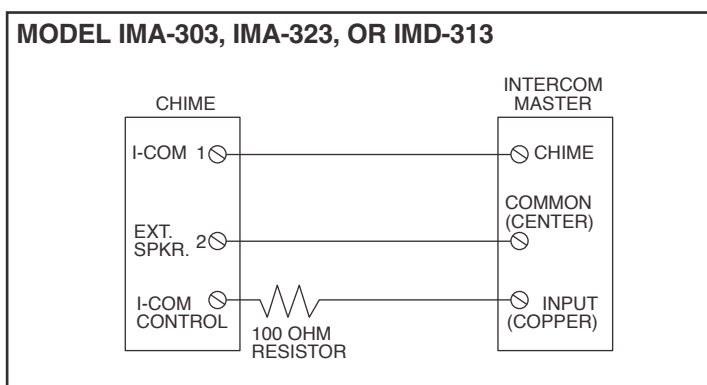
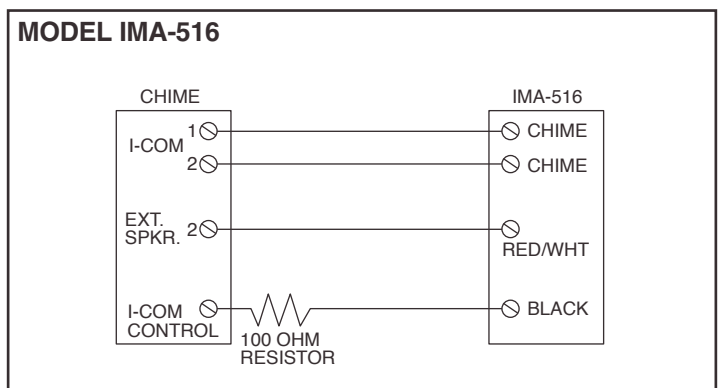
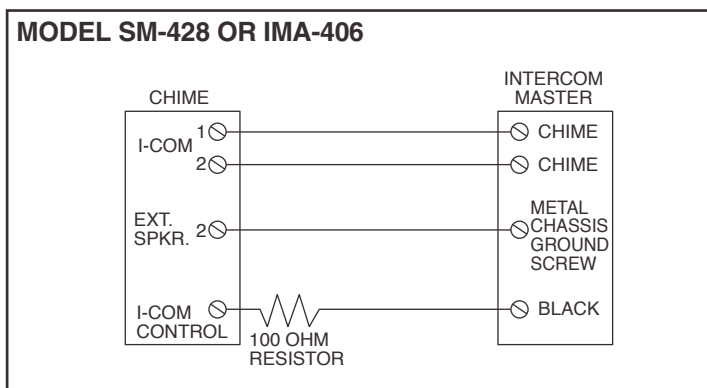
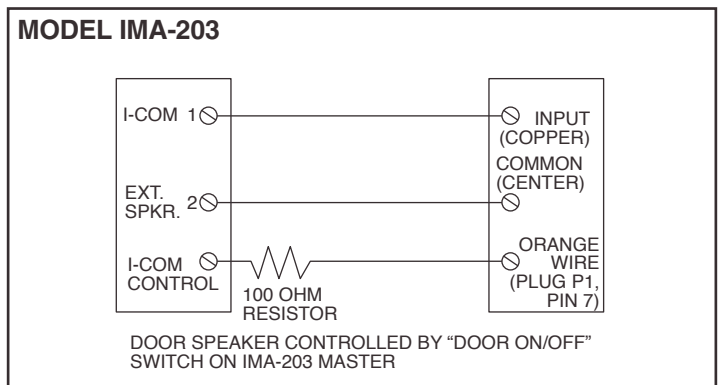
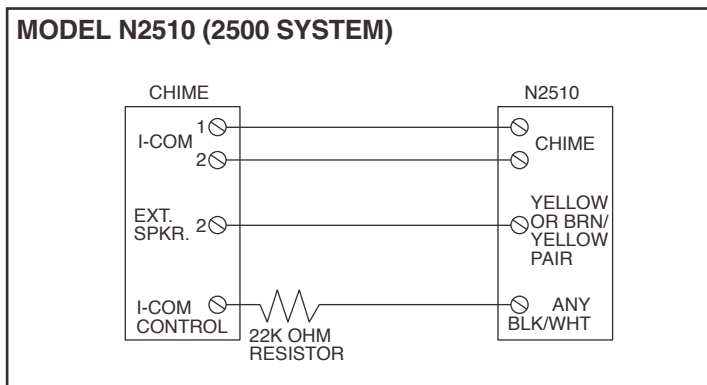
## Musical Door Chime

### MODEL LB-55

### MODEL LB-60 PROGRAMMABLE CHIME

This musical door chime may be connected to a NuTone Radio-Intercom System to provide the intercom speakers with the chime tones. If it is acceptable to have the chime tones **override** the radio and intercom (chime heard as well as radio and intercom,) connect chime to intercom as shown on the primary instruction sheet for the chime. If you wish the radio and intercom to be **muted** (silenced) when the chime is playing, the connections between the chime and intercom must be as shown here. If you wish the **door speakers**, as well as the inside/patio speakers to receive the chime, see pages 2 and 3 for wiring information.

**\*SPECIAL NOTE:** In IMA-806 systems connected for **MUTING** as shown in this page and page 4, it should be considered that music will remain muted after a chime tune completion – until either an “END CALL” switch is pressed or the automatic end call timer resets the IM-806 control circuit.

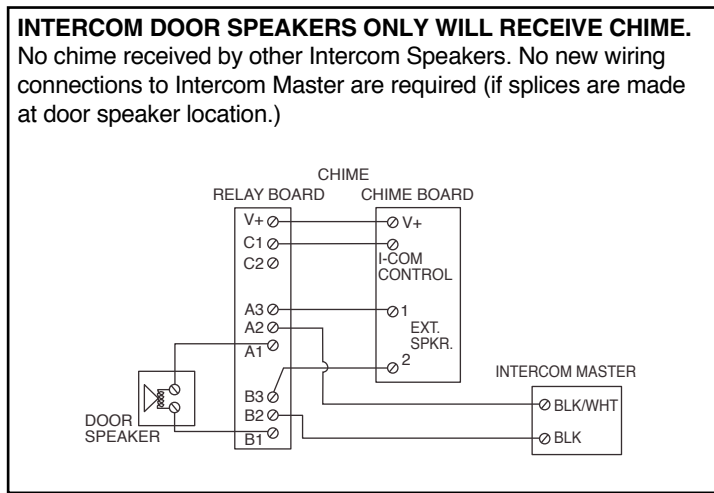
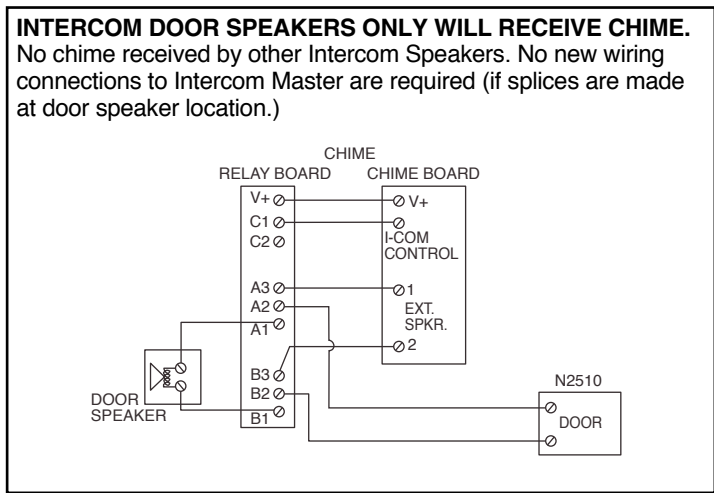
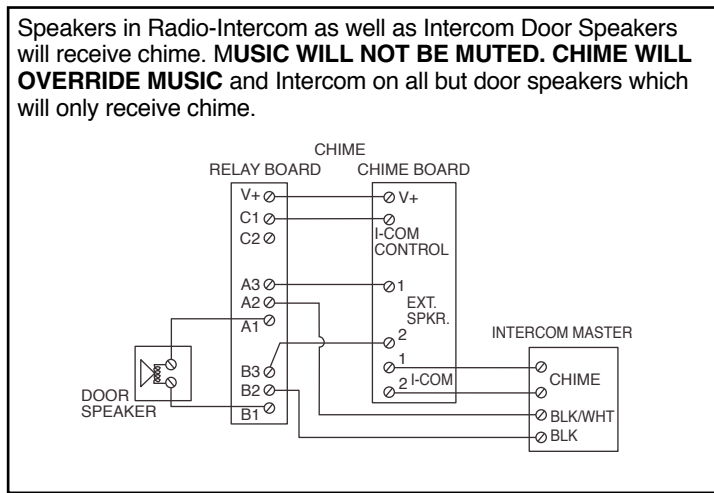
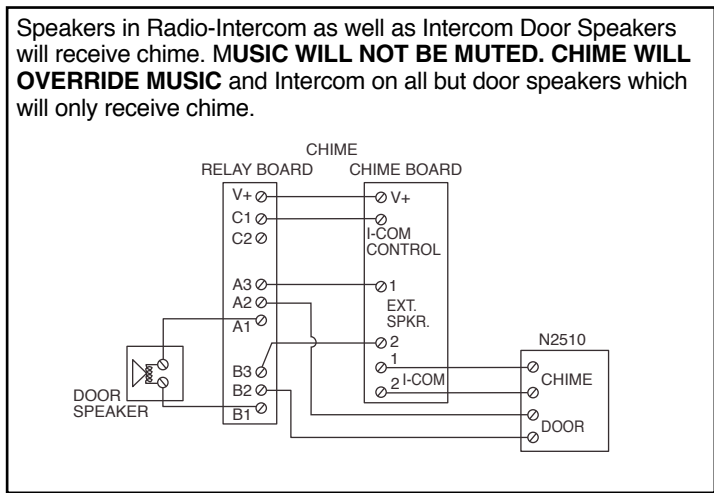
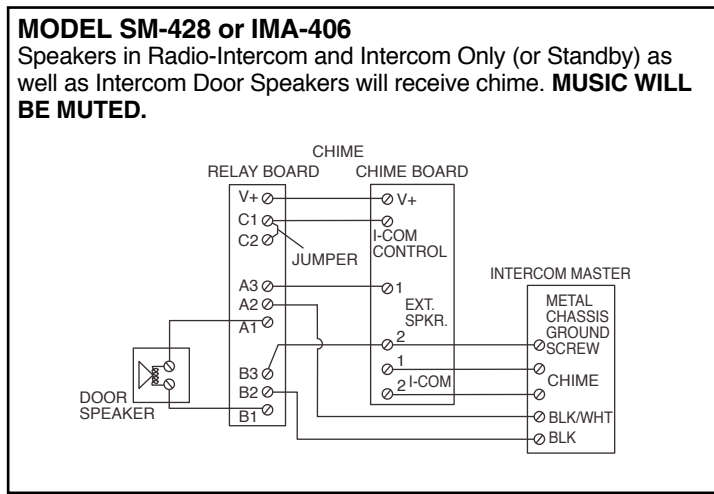
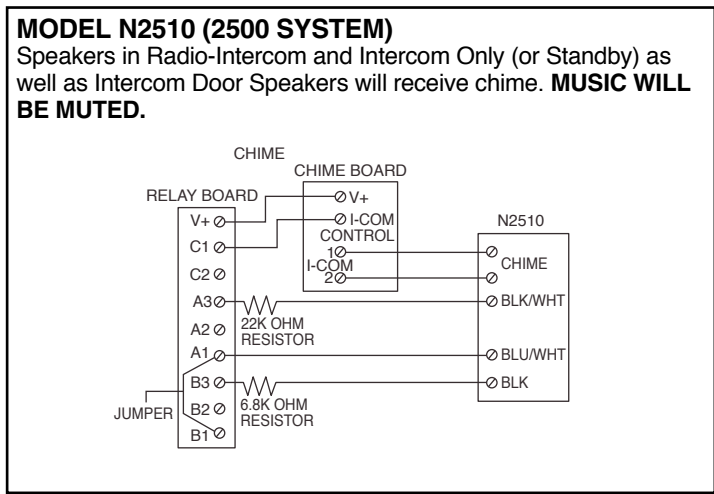


# WIRING INSTRUCTIONS FOR OPTIONAL KIT NO. 5803A

Kit No. 5803A is available for use with these chimes to provide chime tunes to NuTone intercom speakers, **including door speakers**. By using one of three types of wiring connections shown for each specific intercom system, one of the following features will be provided:

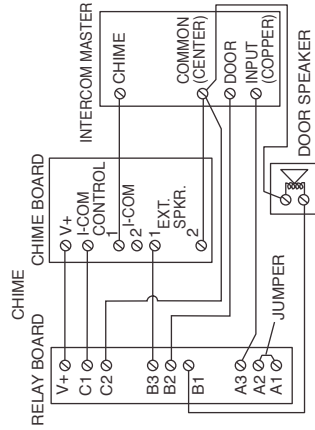
- (A) Inside/patio speakers and door speakers will receive chime, music will be muted.
- (B) Inside/patio speakers and door speakers will receive chime, music will **not** be muted (chime will override music.)
- (C) Door speakers only will receive chime.

Kit No. 5803A includes a door speaker relay board which is to be installed in the chime; instructions supplied with kit. Refer to wiring diagrams for preliminary wiring needed to install kit.



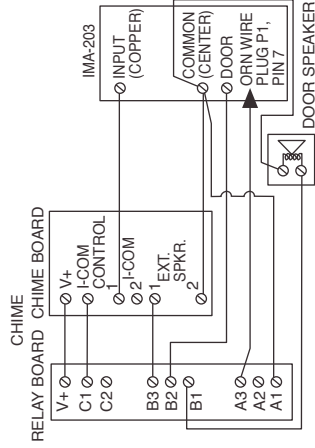
**MODEL IMA-303, IMA-323, or IMD-313**

Speakers in Radio-Intercom as well as Intercom Door Speakers will receive chime. **MUSIC WILL BE MUTED.**



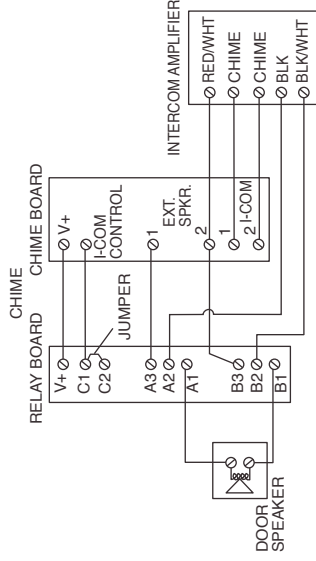
**MODEL IMA-203**

Speakers in Radio-Intercom as well as Intercom Door Speakers will receive chime. **MUSIC WILL BE MUTED.**

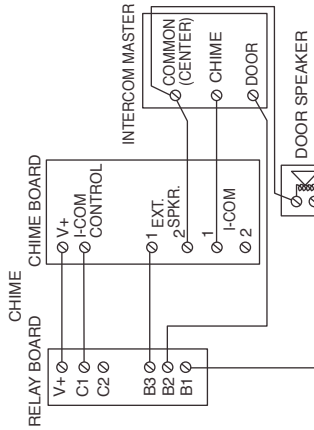


**MODEL IMA-516**

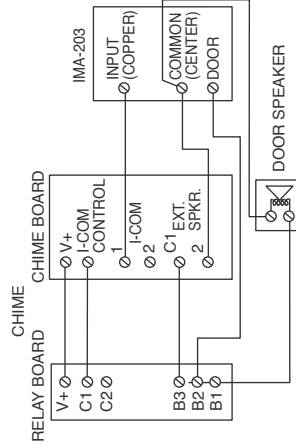
All inside/patio speakers as well as Intercom Door Speakers will receive chime. **OPTIONAL MUSIC SOURCE WILL BE MUTED.**



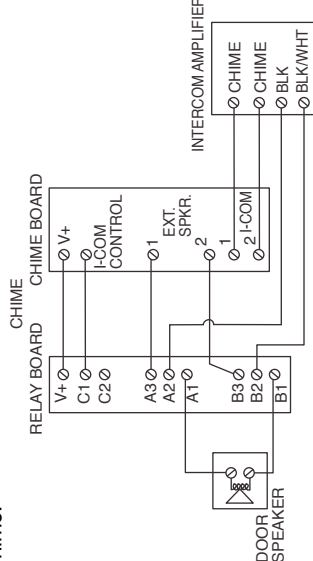
Speakers in Radio-Intercom as well as Intercom Door Speakers will receive chime. **MUSIC WILL NOT BE MUTED. CHIME WILL OVERRIDE MUSIC** and Intercom on all but door speakers which will only receive chime.



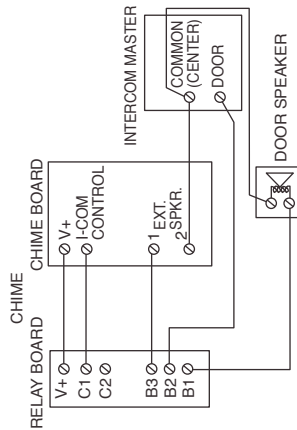
Speakers in Radio-Intercom as well as Intercom Door Speakers will receive chime. **MUSIC WILL NOT BE MUTED. CHIME WILL OVERRIDE MUSIC** and Intercom on all but door speakers which will only receive chime.



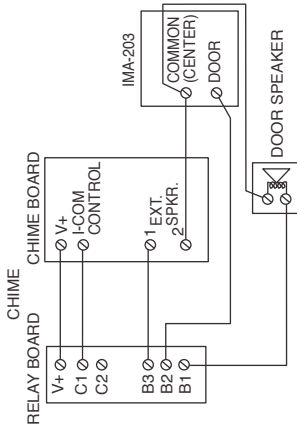
All inside/patio speakers as well as Intercom Door Speakers will receive chime. **OPTIONAL MUSIC SOURCE WILL NOT BE MUTED. CHIME WILL OVERRIDE MUSIC** and intercom on all but door speakers which will only receive chime.



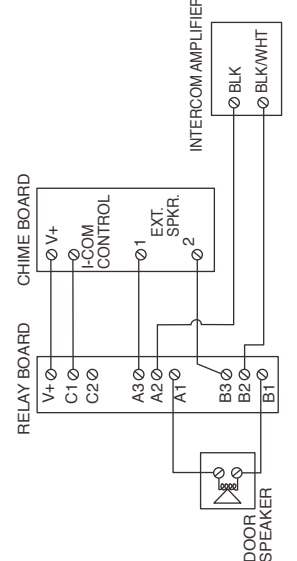
**INTERCOM DOOR SPEAKERS ONLY WILL RECEIVE CHIME.** No chime received by other Intercom Speakers. No new wiring connections to Intercom Master are required (if splices are made at door speaker location.)



**INTERCOM DOOR SPEAKERS ONLY WILL RECEIVE CHIME.** No chime received by other Intercom Speakers. No new wiring connections to Intercom Master are required (if splices are made at door speaker location.)



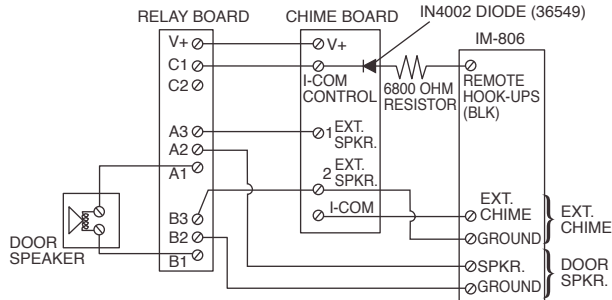
**INTERCOM DOOR SPEAKERS ONLY WILL RECEIVE CHIME.** No chime received by other Intercom Speakers. No new wiring connections to Intercom Amplifier are required (if splices are made at door speaker location.)



### MODEL IM-806

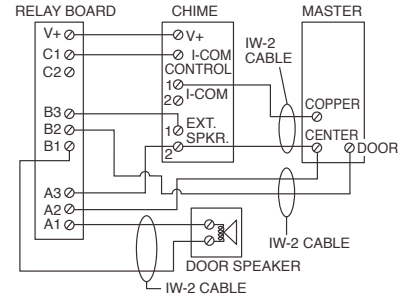
Speakers in **NORMAL** and **PRIVATE** as well as Intercom Door Speakers will receive chime. **MUSIC WILL BE MUTED.**

\*See special note on page 1



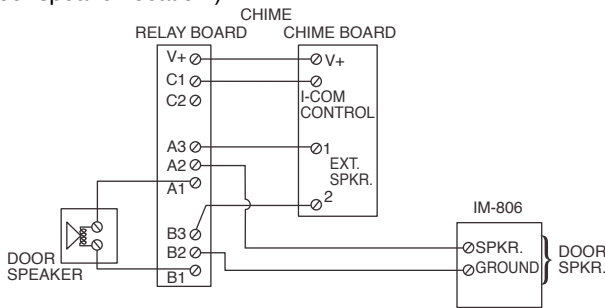
### MODEL IM-2003

Speakers in Radio-Intercom as well as Intercom Door Speakers will receive chime. **MUSIC WILL NOT BE MUTED. CHIME WILL OVERRIDE MUSIC** and Intercom on all but door speakers which will only receive chime.



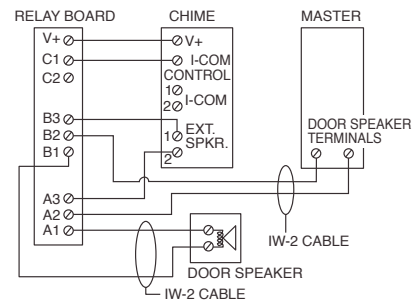
### INTERCOM DOOR SPEAKERS ONLY WILL RECEIVE CHIME.

No chime received by other Intercom Speakers. No new wiring connections to Intercom Master are required (if splices are made at door speaker location.)

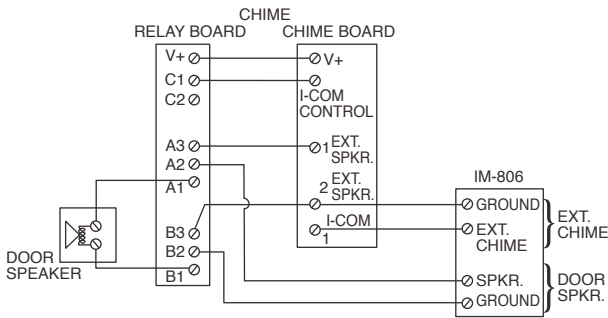


### MODEL IM-3003, IM-3103 & IM-4006

**INTERCOM DOOR SPEAKERS ONLY WILL RECEIVE CHIME.** No chime received by other Intercom Speakers. No new wiring connections to Intercom Master are required (if splices are made at door speaker location.)

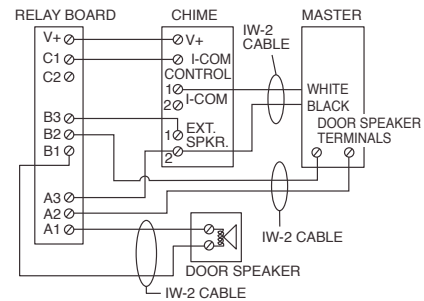


Speakers in **NORMAL** as well as **PRIVATE** will receive chime. **MUSIC WILL NOT BE MUTED. CHIME WILL OVERRIDE MUSIC** and Intercom on all but door speakers which will only receive chime.



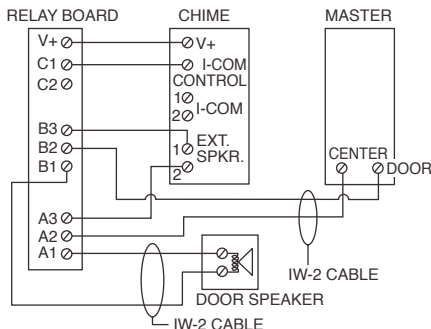
### MODEL IM-3003, IM-4006

Speakers in Radio-Intercom as well as Intercom Door Speakers will receive chime. **MUSIC WILL NOT BE MUTED. CHIME WILL OVERRIDE MUSIC** and Intercom on all but door speakers which will only receive chime.



### MODEL IM-2003

**INTERCOM DOOR SPEAKERS ONLY WILL RECEIVE CHIME.** No chime received by other Intercom Speakers. No new wiring connections to Intercom Master are required (if splices are made at door speaker location.)



### MODEL IM-3103

Speakers in Radio-Intercom as well as Intercom Door Speakers will receive chime. **MUSIC WILL NOT BE MUTED. CHIME WILL OVERRIDE MUSIC** and Intercom on all but door speakers which will only receive chime.

