

Swivel Canopy for Paddle Fan

MODEL: PFSM-2N SERIES

APPLICATIONS

Designed for vaulted ceiling with or without beams. Mount may be adjusted for any angle from 0° to 45°. If the angle mounting is 5° to 30°, use a 2-foot extension stem. For angles 30° to 45°, use a 3-foot extension stem.

ASSEMBLY

After determining the ceiling angle and choosing the proper extension stem, discard the ball hanger, canopy and existing stem packaged with the paddle fan. Replace with extension stem and swivel canopy. Canopy orp rests in canopy dish. Make sure set screw is secured.

MOUNTING

Refer to the instruction sheet packaged with the paddle fan. Hanger bracket must be securely mounted to support 45 pounds. Be sure beam will support this weight. Certain beams, i.e. plastic, may not be suitable.

Mount hanger hook with its opening facing the highest side of the ceiling. Fit canopy against ceiling or beam and tighten screw in dish with allen wrench.

IMPORTANT: Fan must hang at true vertical; verify with a level.

If fan wobbles, lower the Swivel Canopy approximately 1/8" from the ceiling.

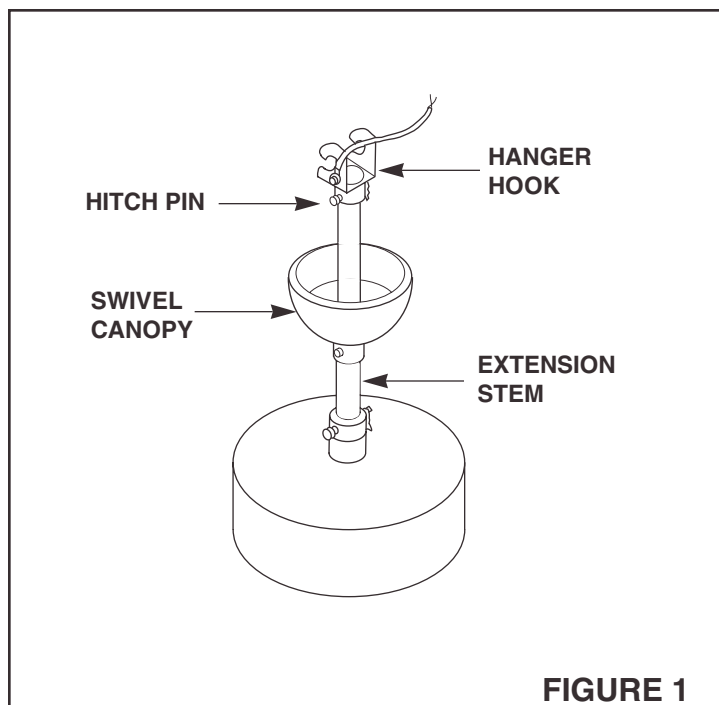


FIGURE 1

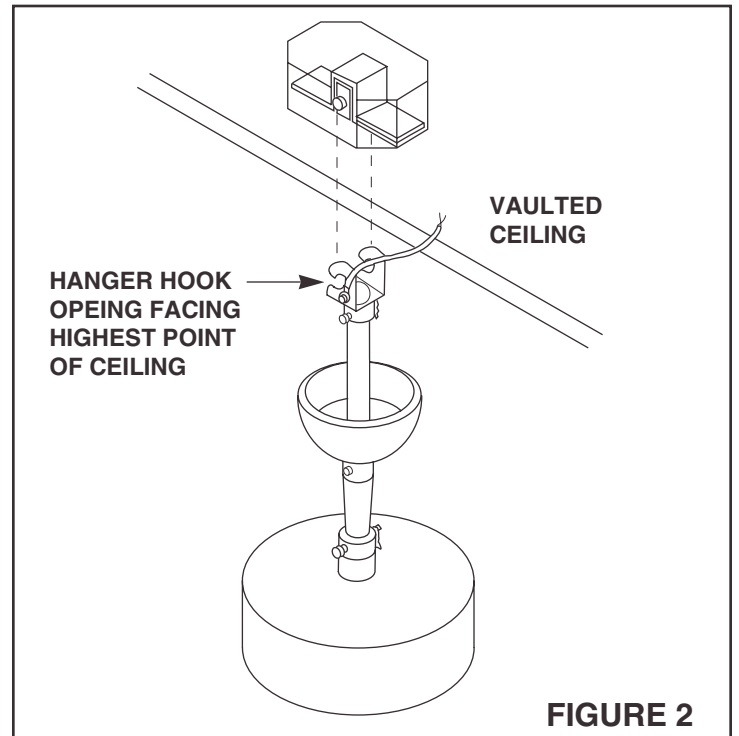


FIGURE 2

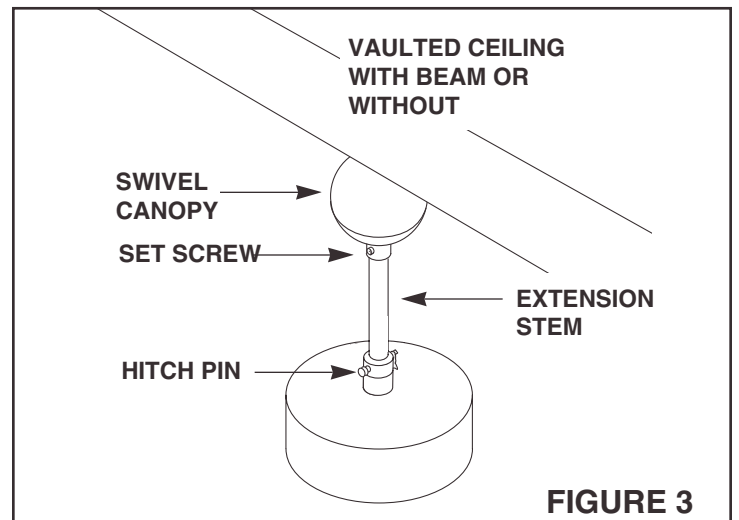


FIGURE 3

Product specifications subject to change without notice.