

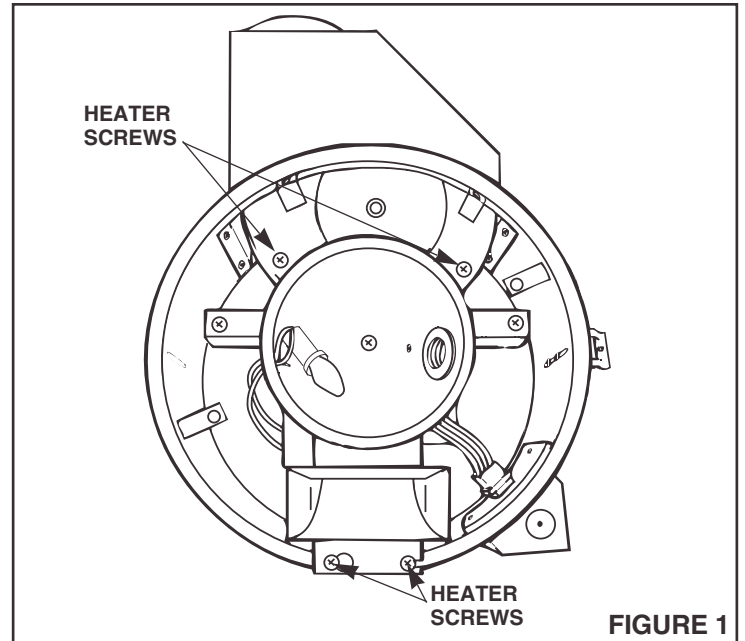
## Heat-A-Ventlite®

### MODELS: QT-9093 SERIES

**IMPORTANT: DO NOT MOUNT OVER TUB  
OR IN SHOWER STALL ENCLOSURE.**

#### PRECAUTIONS

- Observe all requirements in this instruction sheet and all markings appearing on the unit.
- Check all operations of the unit after installation has been completed.
- **The heater housing must be grounded and the wiring must comply with all local electrical codes.**
- The flange of the rough-in housing **MUST** be flush with the finished plaster or drywall surface to assure proper and absolutely safe operation.
- If plaster material, paint base or paint is sprayed on the walls or ceiling, the inside of the housing must be masked off to prevent this material from entering the housing.
- The switch (furnished) must be wired in accordance with the wiring diagram.



**FIGURE 1**

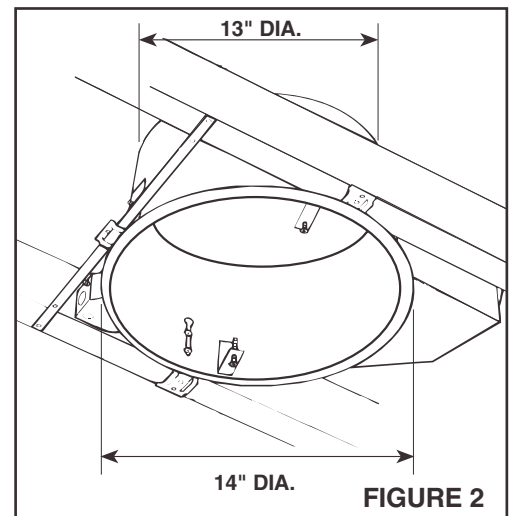
#### PREPARATION

Refer to Figure 1.

1. Loosen two screws holding grille in place. Remove grille and set aside. Remove housing, switch assembly, hanger bar and mounting brackets from carton.
2. Loosen four (4) screws holding heater power unit in place. Remove heater power unit and set aside.

#### MOUNTING TO OPEN JOISTS IN NEW CONSTRUCTION

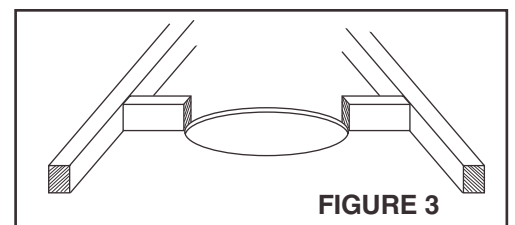
1. Install hanger brackets in keyhole slots in housing. Insert hanger bar through bracket opposite blower vent.
2. **Refer to Figure 2.** Position housing between joists with exhaust vent in desired direction. Secure side hanger brackets and ends of adjustable hanger bar to joists with screws or nails.



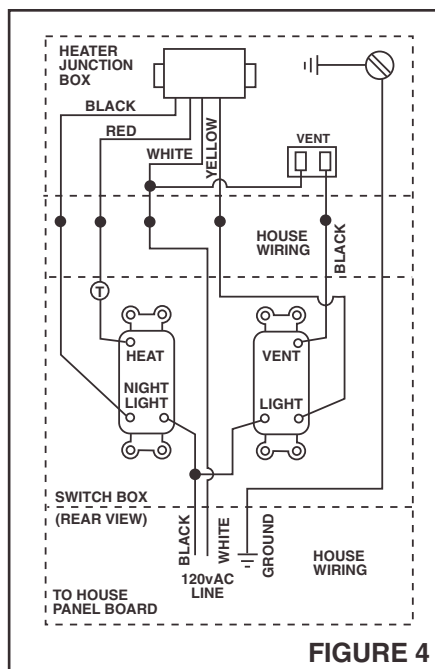
**FIGURE 2**

If joist spacing is greater than 16" O.C., construct framing to support sides of housing, (**Refer to Figure 3**). Position housing against joists and secure with wood screws through keyhole slots in housing.

3. Loosen screws securing hanger brackets to housing and adjust height of housing so that bottom flange will be flush with finished ceiling. Tighten screws securely.
4. Attach 4" round duct and run ductwork to the outside through wall or roof.



**FIGURE 3**



**FIGURE 4**

#### WIRING

**115-120 volts (20 amp circuit only), 12 gauge wire.**

1. Remove desired knockout from junction box and install a box connector (not provided).
2. **Refer to Figure 4.** Run 120vAC supply wiring to wall switch box. Run wiring from wall switch box to heater. Five conductors plus ground are required for independent operation of all functions.
3. When a thermostat or timer switch is used, connect at point marked "T" on Figure 4.
4. Make wiring connections using wire nuts. Connect ground wire under ground screw in junction box.
5. Push wiring back into junction box and install junction box cover being careful not to pinch wiring between cover and housing. Secure cover.

## COMPLETING INSTALLATION

1. Reinstall the heater unit and tighten four (4) screws securely.
2. Plug fan and heater assemblies to receptacles on junction box cover.
3. Install a 100 watt lamp in light socket and 7 watt lamp in night light socket.
4. Place grille over grille mounting screws and tighten.
5. Check out all functions for proper operation.

## INSTALLATION IN EXISTING CONSTRUCTION

Refer to Figure 5.

**NOTE: In existing construction, hanger bar and mounting brackets are not used.**

1. Determine desired location of heater. Area above heater must be free of plumbing and electrical wiring. There must be enough clearance above ceiling for heater housing and installation of duct and wiring.
2. Drill a small hole up through ceiling and insert a wire or nail to help in locating from above.
3. Locate hole from above. Center heater housing between joists and use the bottom flange of housing as a template to mark cutout. Cut out hole in ceiling.
4. **Refer to Figure 3.** Secure short pieces of 1" x 3" lumber ( $\frac{3}{4}$ " nominal) to joists on either side of opening. Leave approximately  $\frac{1}{2}$ " between top of ceiling so that flange of heater housing can slide under spacers. If joist spacing is greater than 16" O.C., cut spacers of 2" x 4" lumber to fit between housing and joists.
5. Place heater over opening and between spacers. From below, align housing so flange is flush with finished ceiling. Secure to spacers with nails or wood screws through keyhole slots. **NOTE:** If necessary, housing can be installed from below by removing vent blower, vent housing, and outlet box.
6. Install 4" duct and refer to previous section of these instructions for Wiring and Completing Installation.

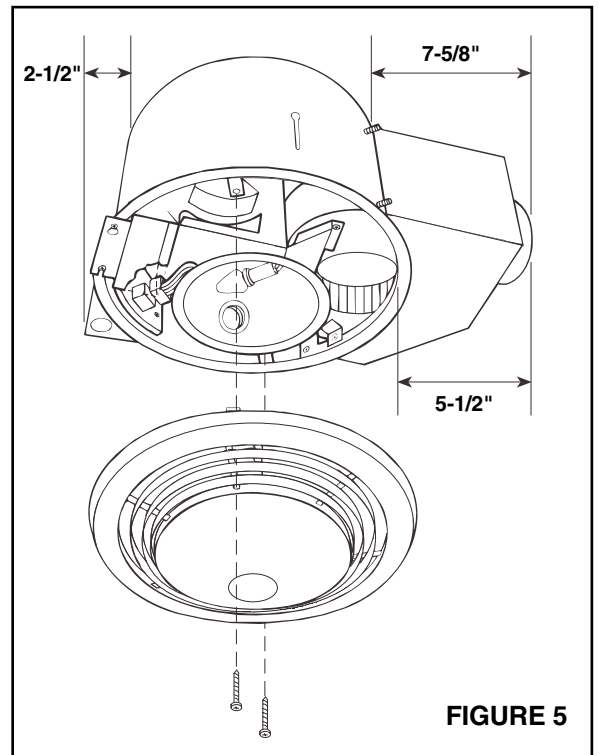


FIGURE 5

# NuTone®

## One Year Limited Warranty

**WARRANTY OWNER:** NuTone warrants to the original consumer purchaser of its products that such products will be free from defects in materials or workmanship for a period of one (1) year from the date of original purchase. **THERE ARE NO OTHER WARRANTIES, EXPRESS OR IMPLIED, INCLUDING, BUT NOT LIMITED TO, IMPLIED WARRANTIES OF MERCHANTABILITY OR FITNESS FOR A PARTICULAR PURPOSE.**

**During this one year period,** NuTone will, at its option, repair or replace, without charge, any product or part which is found to be defective under normal use and service. THIS WARRANTY DOES NOT EXTEND TO FLUORESCENT LAMP STARTERS OR TUBES, FILTERS, DUCT, ROOF CAPS, WALL CAPS AND OTHER ACCESSORIES FOR DUCTING. This warranty does not cover (a) normal maintenance and service or (b) any products or parts which have been subject to misuse, negligence, accident, improper maintenance or repair (other than by NuTone), faulty installation or installation contrary to recommended installation instructions.

The duration of any implied warranty is limited to the one year period as specified for the express warranty. Some states do not allow limitation on how long an implied warranty lasts, so the above limitation may not apply to you.

**NUTONE'S OBLIGATION TO REPAIR OR REPLACE, AT NUTONE'S OPTION, SHALL BE THE PURCHASER'S SOLE AND EXCLUSIVE REMEDY UNDER THIS WARRANTY. NUTONE SHALL NOT BE LIABLE FOR INCIDENTAL, CONSEQUENTIAL OR SPECIAL DAMAGES ARISING OUT OF OR IN CONNECTION WITH PRODUCT USE OR PERFORMANCE.** Some states do not allow the exclusion or limitation of incidental or consequential damages, so the above limitation or exclusion may not apply to you. This warranty gives you specific legal rights, and you may also have other rights, which vary from state to state. This warranty supersedes all prior warranties.

**WARRANTY SERVICE:** To qualify for warranty service, you must (a) notify NuTone at the address stated below or telephone 1/800-543-8687, (b) give the model number and part identification and (c) describe the nature of any defect in the product or part. At the time of requesting warranty service, you must present evidence of the original purchase date.

Date of Installation

Builder or Installer

Model No. and Product Description

### IF YOU NEED ASSISTANCE OR SERVICE:

For the location of your nearest NuTone Independent Authorized Service Center:

**Residents of the contiguous United States** Dial Free 1-800-543-8687

Please be prepared to provide:

Product model number • Date and Proof of purchase • The nature of the difficulty

**Residents of Alaska or Hawaii should write to:** NuTone Inc. Attn: Department of National Field Service, 4820 Red Bank Road, Cincinnati Ohio 45227-1599.

**Residents of Canada should write to:** Broan-NuTone Canada, 1140 Tristar Drive, Mississauga, Ontario, Canada L5T 1H9.

Rev. 03/2001