

DESCRIPTION

HOUSING:

- Rugged, 26-gage galvanized steel construction
- Key-holed mounting brackets span up to 24" and are adjustable horizontally and vertically
- Reversible knockout bracket allows wiring from top or side
- 4" round duct fitting with built-in backdraft damper for easy duct connection

BLOWER:

- Plug-in, permanently lubricated motor
- Totally enclosed motor with long life bearings designed for continuous operation (HD80RDB, HD50RDB only)
- Centrifugal blower wheel

RADIATION DAMPER:

- For use in 1, 2 and 3 hour rated floor-ceiling and roof-ceiling constructions
- Galvanized steel frame
- High temperature, non-asbestos, reinforced fiber thermal fabric
- Stainless steel closure springs
- 165°F fusible link

GRILLE:

- Attractive steel grille painted white
- Low profile blends well with any decor

(1) ROUGH-IN KIT & (1) FINISH KIT MAKE A COMPLETE UNIT. PURCHASE EACH SEPARATELY.

Rough-In Kit

Model RDA • Contains housing and radiation damper (packed 4 per carton).

Finish Kits

Models 110RDB, 80RDB, HD80RDB and HD50RDB • Contain blower and grille (packed 4 per carton).

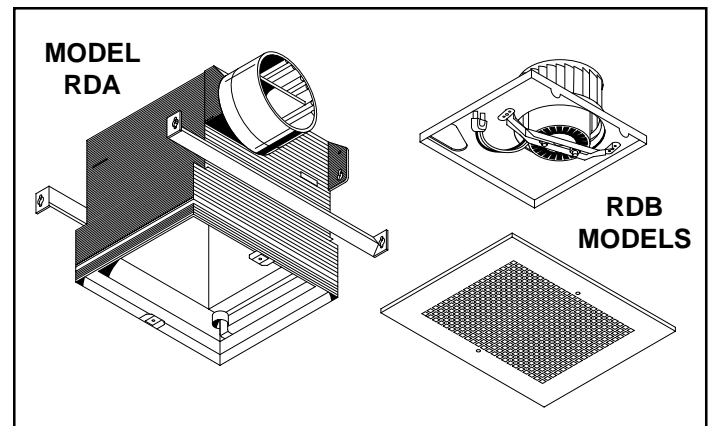
SPECIFICATIONS

RDA with	VOLTS	AMPS	CFM	SONES	DUCT
110RDB	120	1.3	110	4.0	4" ROUND
80RDB	120	0.5	80	2.5	4" ROUND
HD80RDB	120	0.5	80	2.5	4" ROUND
HD50RDB	120	0.4	50	1.5	4" ROUND

NuTone, Inc., 4820 Red Bank Road, Cincinnati, Ohio 45227 (1-800-543-8687)

REFERENCE	QTY.	REMARKS	Project
			Location
			Architect
			Engineer
			Contractor
			Submitted by Date

Ventilating Fans With Radiation Dampers



INSTALLATION

Complete installation instructions are included with each Ventilating Fan Kit.

ARCHITECT'S SPECIFICATION

Ventilator with Radiation Damper shall be NuTone Model RDA with 110RDB (RDA with 80RDB) (RDA with HD80RDB) (RDA with HD50RDB).

Housing shall be made of galvanized steel and have adjustable mounting brackets. It shall have a built-in backdraft damper and be ducted to a roof or wall cap.

Blower shall be removable and have a centrifugal blower wheel. Motor shall be permanently lubricated.

Air delivery shall be no less than and sound level shall be no greater than values listed in the chart to the left. Air and sound ratings shall be certified by HVI.

Radiation damper shall be rated for use in up to three hour ceiling constructions. It shall be UL Classified and Warnock Hersey Listed (see other side for installation details).



