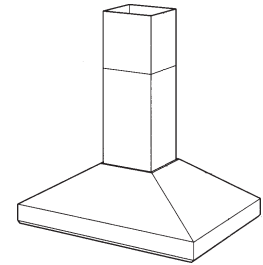


**RANGEMASTER®**  
**637004**  
**RANGE HOOD**



The sleek free-hanging design highlights a stylish focal point over any island or peninsula cook top.

**FEATURES**

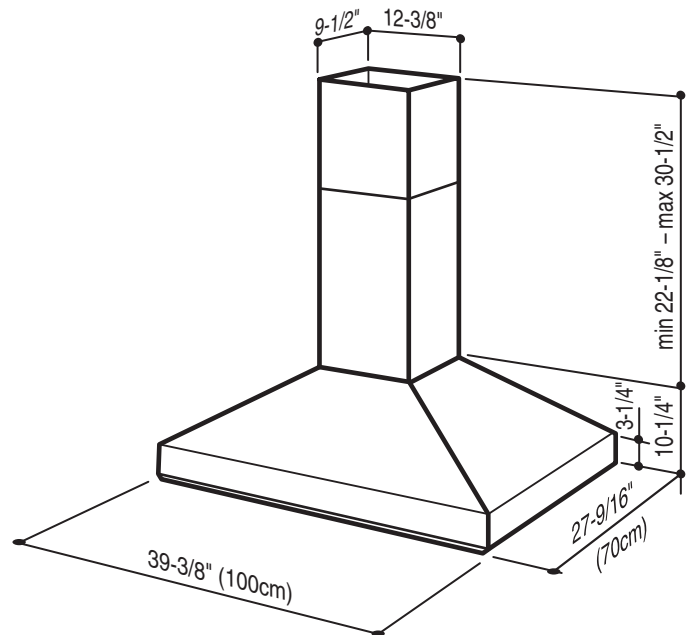
- Italian design
- Island ceiling mount
- Finishes: 304 Stainless Steel #4 Brushed
- Size: 70cm x 100cm (27-9/16" x 39-3/8")
- Ducted telescopic flue accommodates 8' to 9' ceilings
- 8" round duct connector/backdraft damper
- Halogen lighting (4 x 20 watt, Type T4)
- Concealed three-speed slide control
- 900 CFM centrifugal blower
- Dishwasher-safe filters feature a quick-release latch and polished stainless steel

**OPTIONS**

- Replacement grease filters available (Part No. SB08087485)
- Flue extension for 10' ceiling (Part No. SB08845500)
- Exterior blower version (637004EX) available, providing 600, 900, 1200, or 1500 CFM exhaust

**SPECIFICATIONS**

VOLTS	AMPS	CFM	DUCT
120	5.5	900	8" round



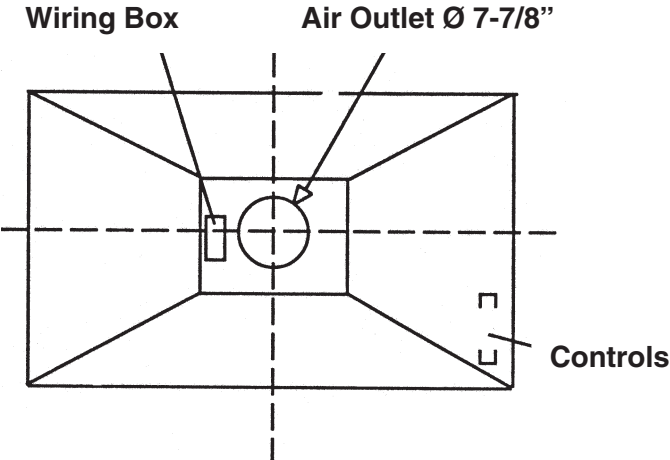
Mount range hood so bottom of hood is 24" to 30" above cooking surface.



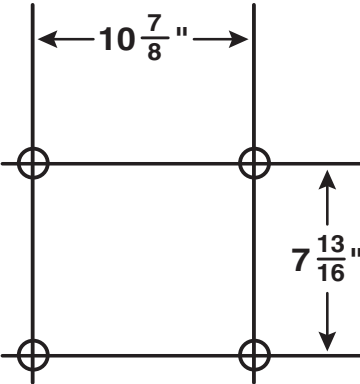
**Broan-NuTone LLC**, 926 West State Street, Hartford, WI 53027 (1-800-637-1453)  
**NuTone, Inc.**, 4820 Red Bank Road, Cincinnati, OH 45227 (1-800-543-8687)  
**Broan-NuTone Canada, Inc.**, 1140 Tristar Drive, Mississauga, Ontario, L5T 1H9 (1-888-882-7626)

REFERENCE	QTY.	REMARKS	Project
			Location
			Architect
			Engineer
			Contractor
			Submitted by <span style="float: right;">Date</span>

# 637004 WIRING



# 637004 MOUNTING



Broan-NuTone LLC, 926 West State Street, Hartford, WI 53027 (1-800-637-1453)  
NuTone, Inc., 4820 Red Bank Road, Cincinnati, OH 45227 (1-800-543-8687)  
Broan-NuTone Canada, Inc., 1140 Tristar Drive, Mississauga, Ontario, L5T 1H9 (1-888-882-7626)