

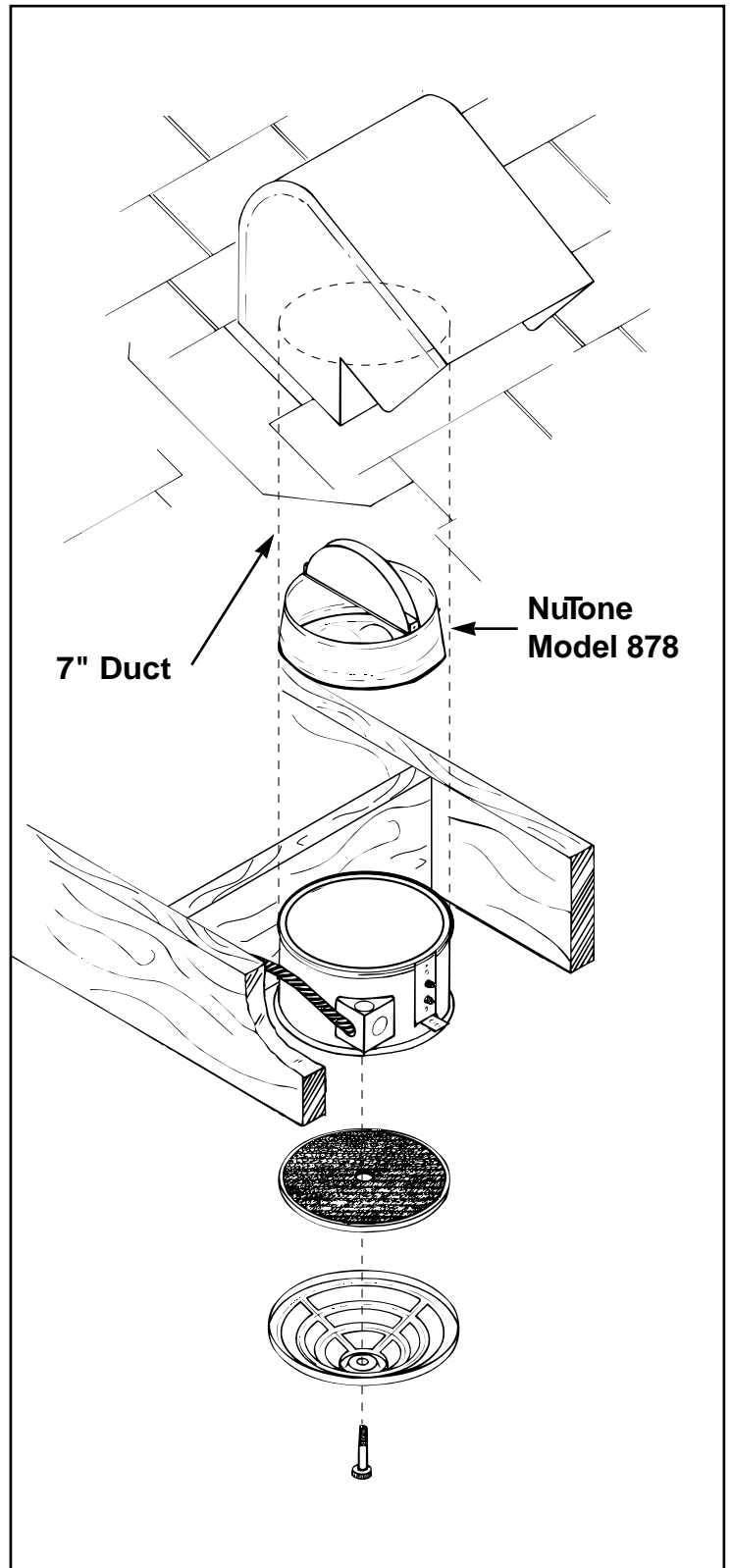
## Damper Section

Model: 878

Fits Inside 7"  
Round Duct

**Sleeve:** Galvanized Steel  
.024" thick (minimum)

**Damper:** Aluminum  
.016" thick (minimum)



Product specifications subject to change without notice.

NuTone, Inc., Madison and Red Bank Roads, Cincinnati, Ohio 45227  
Printed in U.S.A.