

## Fan Forced Wall Heater

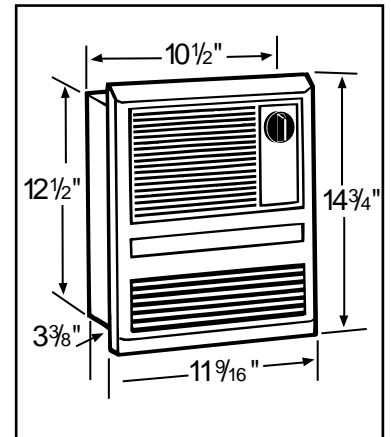
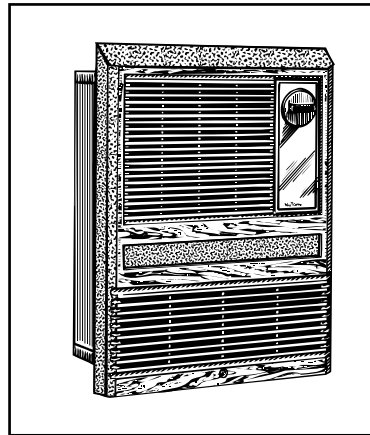
### MODELS: 9810, 9815, 9819 Series

#### DESCRIPTION

- Attractive white on brown wood-grain grille brings cozy warmth to any room. Exceptionally durable grilles are heat resistant.
- Quiet fan and downflow action circulates heated air quickly.
- Three models offer wattage choice: 1000, 1500, 1920w. Heaters easily wired at installation for 120 or 240v. Over temperature protected by thermal fuse.
- Built-in adjustable thermostat. Quiet thermally-protected motor and transverse flow blower.
- Long-life bearings with extra large oil reservoir.
- Hang tab aids installation.

#### DESIGN FEATURES

- Electrical Rating:** 120/240 volts  
**9810 Series:** 1050 total watts  
**9815 Series:** 1550 total watts  
**9819 Series:** 1970 total watts
- Housing:** **Dimensions:** 12½" x 10½" 3⅜".  
**Material:** Cold rolled steel,  
**Finish:** Enamel
- Grille:** **Dimensions:** 14¾" x 11⅞".  
**Material:** Polymeric.  
**Finish:** Brown wood-grain or white.
- Impeller :** **Type:**Tangential.  
**Dimensions:**7⅛ x 2⅜.
- Element:** **Type:**Coiled resistance wire  
**Wattage:**  
**9810 Series:** 1000.  
**9815 Series:** 1500  
**9819 Series:** 1920.  
**Material:**Nickel-Chromium
- Motor:** Thermally protected, shaded pole, sleeve bearings.
- Switch:** **Type:** On/Off switch provided as part of thermostat.



#### INSTALLATION

Complete instructions included with each unit.

#### ARCHITECTS SPECIFICATIONS

Fan Forced Wall Heater(s) shall be models 9810BWN, 9815BWN, or 9819BWN with brown grille or Models 9810WH, 9815WH or 9819WH with white grille as manufactured by NuTone according to listed specifications.

NUTONE, INC. / MADISON & RED BANK ROADS, CINCINNATI, OHIO 45227  
 Product specifications subject to change without notice.

REFERENCE	QTY.	REMARKS	Project
			Location
			Architect
			Engineer
			Contractor
			Submitted by      Date