

DESCRIPTION

- 24-gauge steel cabinet
- Heavy-duty ventilated metal board w/pad
- Hot iron storage shelf - accepts irons up to 12" high
- Utility/storage shelf - accepts items up to 11" high
- Door included (with Models AVD40WN & AVD40KN)
- Door mounting - both left and right
- Magnetic door catch
- Board cover included

MODEL AVD40N

- Door sold separately

MODEL AVD40WN

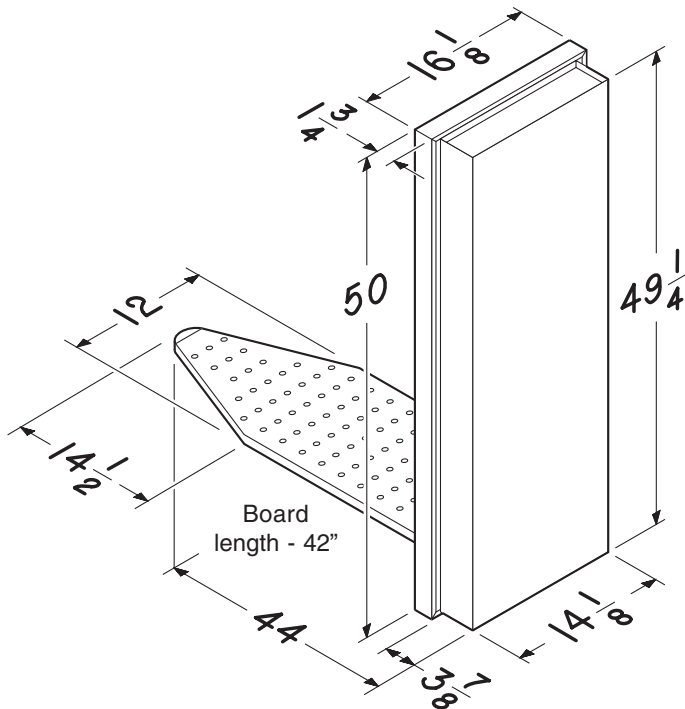
- Includes White MDF Door

MODEL AVD40KN

- Includes Simulated Oak Door

Additional Doors Available:

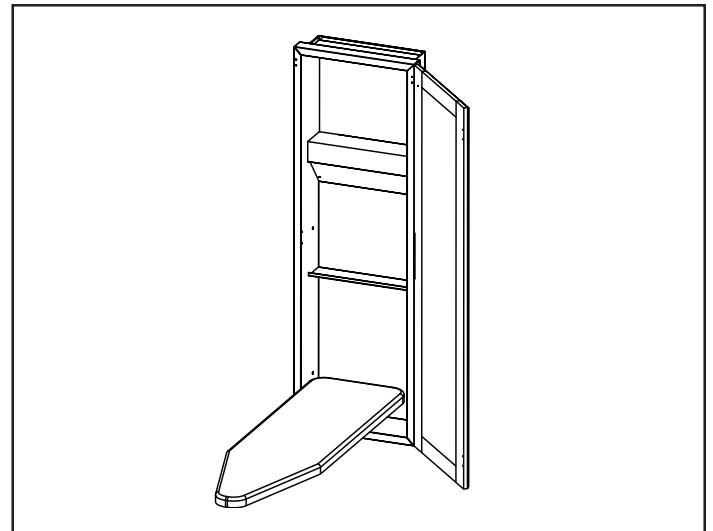
- | | |
|---------|-------------------------------|
| AVDORPN | Oak Raised Panel - Unfinished |
| AVDWRPN | Oak Raised Panel - White |
| AVDOFPN | Birch Flat Panel - Unfinished |
| AVDMFPN | Mirror Door - Beveled |



PressRite™ Built-in Ironing Center

“Basic”

MODELS AVD40N, AVD40WN & AVD40KN



INSTALLATION

- For built-in installation or optional surface mounting
- Installation instructions included with each unit

ARCHITECT'S SPECIFICATION

Ironing center shall be NuTone PressRite™ Model AVD40N (AVD40WN) (AVD40KN).

Built-In Ironing Center shall be heavy gauge steel construction in white finish. A 49 1/4" H x 14 1/8" W x 3 7/8" D wall opening is required. Optional collar allows surface mounting when needed or desired.

Cabinet shall have ironing board safety retainer.

NuTone, Inc., 4820 Red Bank Road, Cincinnati, OH 45227 (1-800-543-8687)

REFERENCE	QTY.	REMARKS	Project
			Location
			Architect
			Engineer
			Contractor
			Submitted by
			Date