

## DESCRIPTION

### GRILLE:

- Matte white polymeric - blends with any decor
- Sturdy light-diffusing lens - accepts up to 100W incandescent lamp. Bulb not included.

### BLOWER:

- Plug-in, permanently lubricated, totally enclosed motor
- Centrifugal blower wheel for quiet, efficient performance
- Long life motor bearings
- Designed for continuous operation

### HOUSING:

- Rugged 26-gage galvanized steel construction
- Integral key-holed mounting brackets for easy, secure installation directly to joist
- Provision for wire suspension when installed in a drop ceiling
- Tapered, polymeric duct fitting with built-in backdraft damper for easy, positive duct connection and no metallic clatter

U.L. Listed for use over bathtubs and showers when connected to a GFCI protected branch wiring.

U.L. Listed for use in insulated ceilings (Type I.C.)

## DESIGN FEATURES

- Air Delivery:** (See back page)
- Sound Level:** (See back page)
- Dimensions:** **Housing:** 8¼" long x 8" wide x 5¾" high.  
**Grille:** 11⅛" x 10⅝" x 2" thick.
- Material & Finish:** **Housing:** 26-gage galvanized steel.  
**Grille:** Matte white, polymeric
- Motor:** Long life bearings, designed for continuous operation, 120 VAC, 60 Hz, 1.5 A.
- Blower Wheel:** One-piece, polymeric.
- Lamp:** 100W (max.) incandescent bulb (not included).
- Duct Size:** 4" diameter.

## ARCHITECT'S SPECIFICATIONS

Heavy Duty Ceiling Fan shall be NuTone Model Number HD80LNT as manufactured by NuTone according to listed specifications.

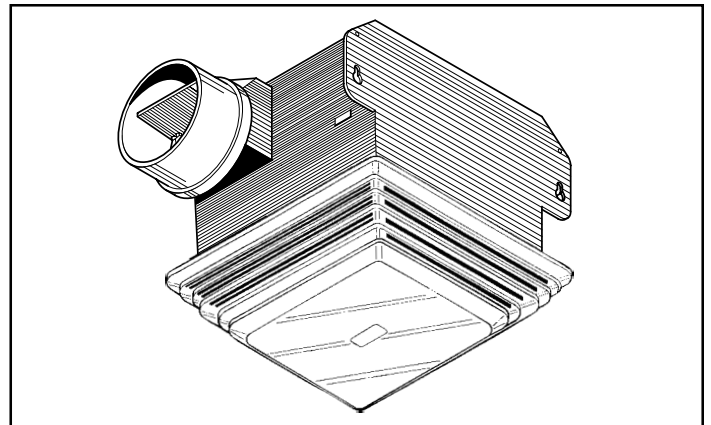
Fan shall ventilate no less air and create sound levels no greater than values listed in the "Performance Ratings" charts on this sheet. All air and sound ratings shall be certified by HVI and AMCA licensed.

Housing shall be 8¼" x 8" x 5¾" and connect to 4" duct.

# Heavy Duty Ceiling Fan/Light



MODEL HD80LNT



## INSTALLATION

- U.L. Listed for use over bathtub and showers when connected to a GFCI protected branch wiring.
- U.L. Listed for use in insulated ceilings (Type I.C.).
- For installation in ceilings up to 12/12 pitch.
- Unit mounts on 16" – 24" O.C. joists.
- Housing features integral, key-holed mounting brackets for easy, secure mounting.
- Housing has collar for 4" round duct, and discharges vertically or horizontally.
- Blower assembly mounts into housing with single screw for quick assembly.
- Torsion springs on grille adjust for thickness variances in ceiling or wall.
- Use supply wiring rated for at least 90° C.
- Use a standard on-off toggle switch (purchase separately).
- Installation Instructions are included with each unit.

NuTone, Inc., 4820 Red Bank Road, Cincinnati, OH 45227 (1-800-543-8687)

REFERENCE	QTY.	REMARKS	Project
			Location
			Architect
			Engineer
			Contractor
			Submitted by
			Date

# PERFORMANCE RATINGS - MODEL HD80LNT

## AMCA LICENSED PERFORMANCE

Model No.		Static Pressure (in. wg Ps)						Volts	Watts	Nominal RPM	Duct Size
		0.0	0.1	.125	.250	.375	.500				
HD80LNT	CFM	97	87	84	69	50	19	120	50	1380	4" Round
	Sones	4.0	4.1	4.1	4.2	4.4	4.3				

The performance ratings include the effects of inlet grille and backdraft damper in the airstream. Speed (RPM) shown is nominal. Performance is based on actual speed of test. The sound ratings are loudness values in fan sones at 5' (1.5m) in a hemispherical free field calculated per AMCA Std. 301. Values shown are for Installation Type B: Free inlet fan sone levels. Air performance shown is for Installation Type B: Free inlet, Ducted outlet.

## SONES

Model Number	HVI Sones @ 0.1" Ps*	AMCA Sones @ 0.0" Ps*
HD80LNT	2.5	4.0

\*There is a difference between sone values certified by HVI for residential use and by AMCA for commercial/industrial use. Exact comparison of these values is not possible. This difference is mainly due to the procedures used to convert measured sound to perceived sound. ANSI S3.4, used by both HVI and AMCA, specifies a procedure for calculating loudness as perceived by a typical listener under specific conditions. HVI establishes values at a distance of 5 feet from the fan in a "spherical free field"; AMCA establishes values at a distance of 5 feet in a "hemispherical free field". HVI results are rounded to the nearest 0.5 sone, AMCA to the nearest 0.1 sone.

## AMPS

MODEL NUMBER	AMPS
HD80LNT	1.5



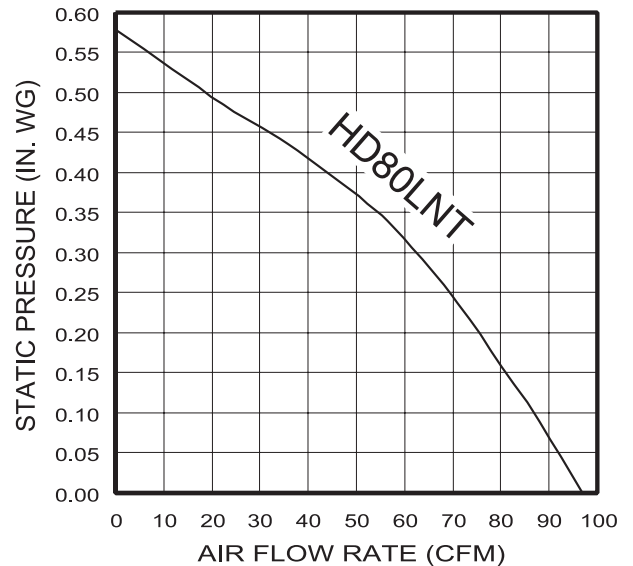
NuTone Inc. certifies that the models shown herein are licensed to bear the AMCA Seal. The ratings shown are based on tests and procedures performed in accordance with AMCA Publication 211 and AMCA Publication 311 and comply with the requirements of the AMCA Certified Ratings Program.

## HVI PERFORMANCE

MODEL NUMBER	SONES	CFM @0.1" Ps
HD80LNT	2.5	80

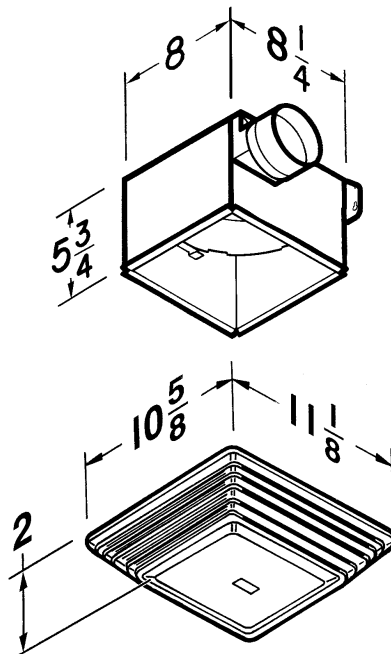


HVI-2100 CERTIFIED RATINGS comply with new testing technologies and procedures prescribed by the Home Ventilating Institute, for off-the-shelf products, as they are available to consumers. Product performance is rated at 0.1 in. static pressure, based on tests conducted in AMCA's state-of-the-art test laboratory. Sones are a measure of humanly-perceived loudness, based on laboratory measurements.



## WEIGHT

MODEL NO.	SHIPPING WT.
HD80LNT	7.1 lbs.



Product specifications subject to change without notice.

NuTone, Inc., 4820 Red Bank Road, Cincinnati, Ohio 45227

Printed in U.S.A.