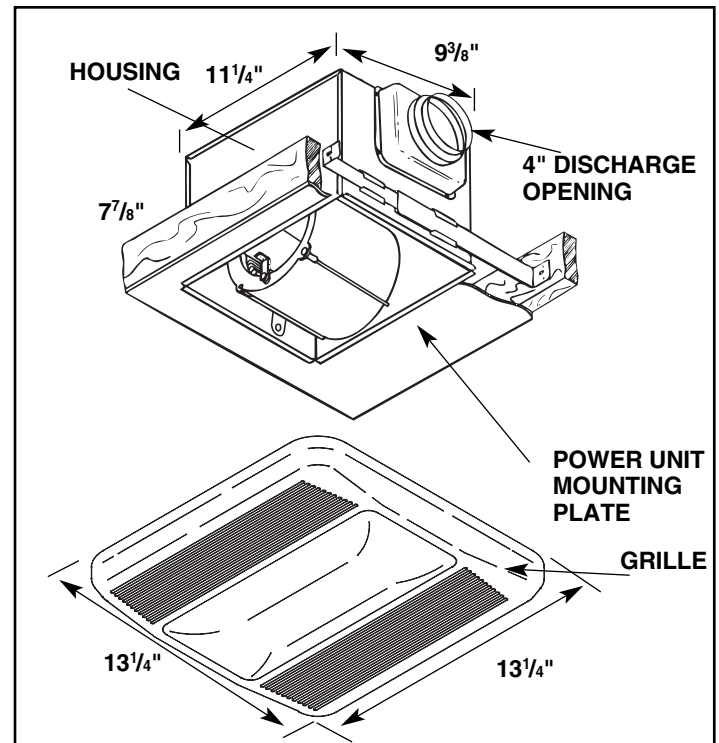


Ultra-QuietTest Fan Series

Models: LS80L, LS80LF, LS100L & LS100LF

DESCRIPTION

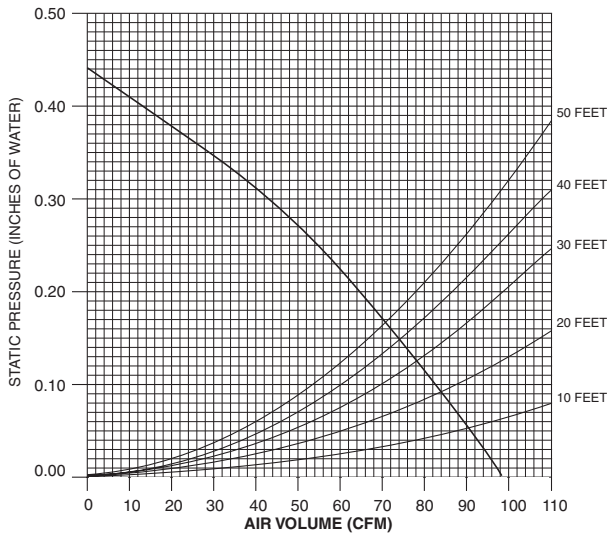
- **Model LS80L or LS80LF:** For bathrooms up to 75 sq. ft., other rooms up to 100 sq. ft.
- **Model: LS100L or LS100LF:** For bathrooms up to 105 sq. ft., other rooms up to 135 sq. ft.
- White polymeric grille with glass lens held firmly in place with torsion springs.
- Centrifugal blower wheel for smooth, ultra quiet operation.
- Bright 100 Watt incandescent (L models) or 26 Watt fluorescent (LF models) light (bulbs sold separately).
- Built-in non-metallic damper quietly helps prevent backdraft.
- Permanent split capacitor motor reduces energy consumption.
- Excellent for continuous use applications where low noise levels are important.
- Motor is cushioned with vibration isolators.
- Prewired outlet box is built into housing; features a plug-in receptacle.
- Choice of two (2) knockouts for wiring entrance.
- Adjustable hanger brackets for mounting between ceiling joists 16" O.C.
- Ducts horizontally with 4" duct.
- Refer to NuTone's catalog for a complete line of accessories to effectively adapt these fans to your construction requirements.



DESIGN FEATURES

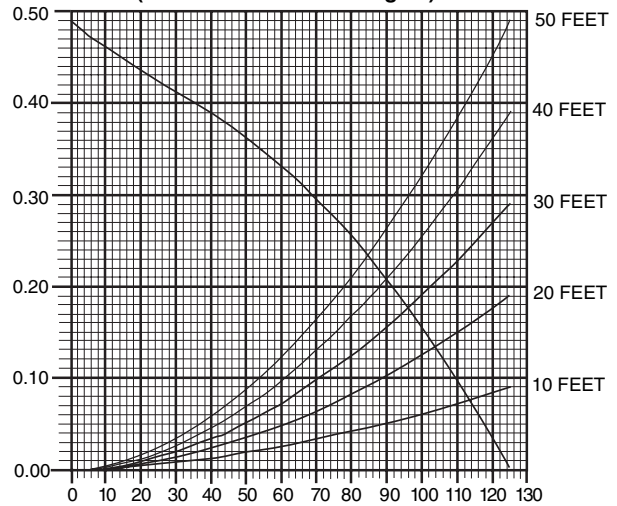
HVI Air Delivery:	Model LS80L or LS80LF: 80 CFM at 0.1" S.P. 55 CFM at 0.25" S.P. Model LS100L or LS100LF: 110 CFM at 0.1" S.P. 80 CFM at 0.25" S.P.	Motor:	Plug-in. Thermally protected. Sleeve bearings. Permanent split capacitor.
HVI Sound Level:	Model LS80: 0.8 sones Model LS100: 1.5 sones	Electrical Rating:	Model LS100L: 1.2 A, 120 V. Model LS80L: 1.1 A, 120 V. Model LS100LF: .9 A, 120 V. Model LS80LF: .8 A, 120 V.
Dimensions:	Housing: 9 ³ / ₈ " x 11 ¹ / ₄ " x 7 ⁷ / ₈ ". Grille: 13 ¹ / ₄ " x 13 ¹ / ₄ ". Extends 3.75" below ceiling.	Impeller:	One centrifugal type. 5.5" dia. x 4" wide.
Material & Finish:	Housing: Cold rolled steel, baked enamel finish. Grille: White Polymeric. Lens: Glass	Damper:	Polypropylene.
		Light:	Model LS80L & LS100L - 100 Watt incandescent. Bulb Type: A-19. Model LS80LF & LS100LF - 26 Watt fluorescent. Bulb Type: CFQ26W/G24D.

AIR PERFORMANCE CURVE – LS80L, LS80LF
(4 In. Duct to 10 Foot Lengths)



STATIC PRESSURE INCHES OF WATER	0.05	0.1	0.15	0.2	0.25	0.3	0.35	0.4	0.45
CFM	89	80	73	65	55	40	26	12	–

AIR PERFORMANCE CURVE – LS100L, LS100LF
(4 In. Duct to 10 Foot Lengths)



STATIC PRESSURE INCHES OF WATER	0.05	0.1	0.15	0.2	0.25	0.3	0.35	0.4	0.45
CFM	118	110	102	92	80	66	55	30	14

INSTALLATION

- Not for use in kitchens.
- UL Listed for shower/tub enclosure when used with GFI branch circuit wiring.
- Suitable for installation in direct contact with thermal insulation.
- Housing installs in ceiling to 16" on center joists with adjustable brackets. In existing construction, the unit requires a 9 1/2" x 11 1/2" cutout.
- Motor/blower wheel assembly and grille are installed when finished ceiling is in place.
- Grille snaps into place and is held securely with torsion springs.
- Suitable for use with solid state speed controls. Switches are sold separately.
- Complete installation instructions included with each unit.

ARCHITECT'S SPECIFICATIONS

Exhaust Fan-Light(s) shall be Model LS80L, LS80LF, LS100L or LS100LF as manufactured by NuTone according to listed specifications.



CERTIFIED TEST DATA

HVI-2100 CERTIFIED RATINGS comply with new testing technologies and procedures prescribed by the Home Ventilating Institute, for off-the-shelf products, as they are available to consumers. Product performance is rated at 0.1 in. static pressure, based on tests conducted in AMCA's state-of-the-art test laboratory. Sones are a measure of humanly-perceived loudness, based on laboratory measurements. This NuTone model is listed by Underwriters' Laboratories Inc. and Certified by the Canadian Standards Association (CSA.)

The air delivery of a ventilating system may be determined by:

1. Determine the equivalent duct length for each 90 degree elbow by adding one foot of duct length for each inch of duct diameter, i.e., a 4 inch diameter duct elbow equals 4 feet equivalent duct length and an 8 inch diameter duct elbow equals 8 feet equivalent duct length.
2. Add the total straight length of duct and the equivalent length for each elbow to obtain the total equivalent duct length.
3. Locate the intersection of the fan performance curve and the total equivalent duct length curves and draw a vertical line down to the CFM scale and read the system air performance. (NOTE: 3 1/4" x 10" duct equals 6 inch diameter duct.)

Product specifications subject to change without notice.