

# QuietTest Fan Light

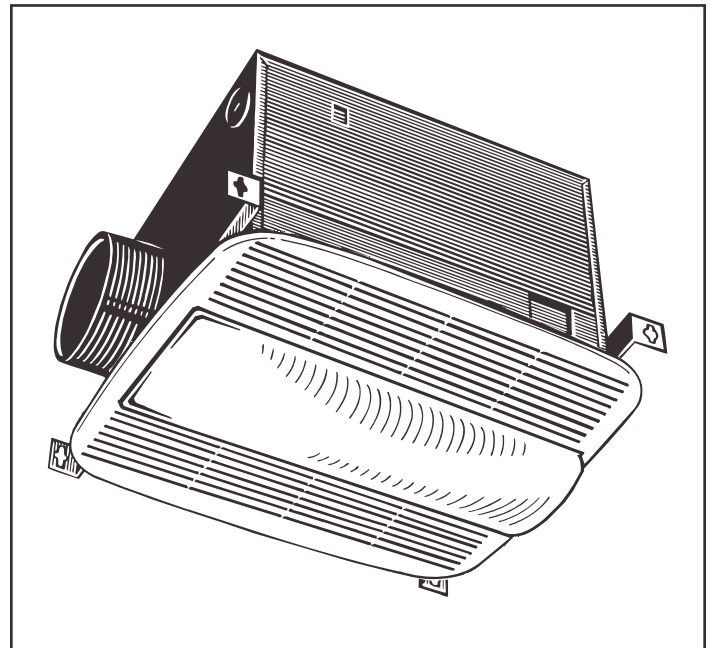
MODEL: QT100L

## DESCRIPTION

- Triple function unit – QT Ventilation, a bright ceiling light and a convenient night light. Operate singly, any combination or all together.
- UL Listed for tub/shower with GFI branch circuit wiring.
- For baths up to 95 sq. ft., other rooms up to 125 sq. ft.
- Features rounded, low-profile white polymeric grille.
- NuTone wall switch sold separately.
- Refer to NuTone's catalog for a complete line of accessories to effectively adapt this fan to your construction design.
- Type IC for use with thermal insulation.

## DESIGN FEATURES

<b>Air Delivery:</b>	100 CFM Exhaust Fan
<b>Sound Level:</b>	3.5 sones
<b>Dimensions:</b>	<b>Housing:</b> 9 $\frac{3}{8}$ " L x 11 $\frac{1}{4}$ " W x 7 $\frac{1}{8}$ " D <b>Grille:</b> 13 $\frac{1}{4}$ " x 13 $\frac{1}{4}$ " <b>Reflector:</b> 9" L x 4" W <b>Lens:</b> 10 $\frac{1}{2}$ " L x 5 $\frac{1}{4}$ " W
<b>Material and Finish:</b>	<b>Housing:</b> C.R. Steel, Enamel finish. <b>Grille:</b> Polycarbonate White Finish <b>Reflector:</b> C.R. Steel White Enamel <b>Lens:</b> $\frac{1}{4}$ " "Moonstone" Glass
<b>Motor:</b>	Shaded 4 Pole Type, 1320 RPM, .6 amps at 120v, 60 Hz. Thermally Protected
<b>Blower Wheel:</b>	Plastic Centrifugal Blower 5 $\frac{3}{4}$ " Diameter x 2" Deep
<b>Lamp Watts:</b>	100 W Ceiling Light and 7W Night Light assembly (purchase bulbs locally).
<b>Duct Size:</b>	4" Round. Duct collar with damper included.



## INSTALLATION

- Detailed installation instructions are included with each unit.

## ARCHITECT'S SPECIFICATION

Ventilator shall be NuTone Model QT100L as manufactured by NuTone according to listed specifications.

Housing shall be 11 $\frac{1}{4}$ " long x 9 $\frac{3}{8}$ " wide x 7 $\frac{1}{8}$ " deep and shall connect to 4" duct.

## CERTIFIED TEST DATA

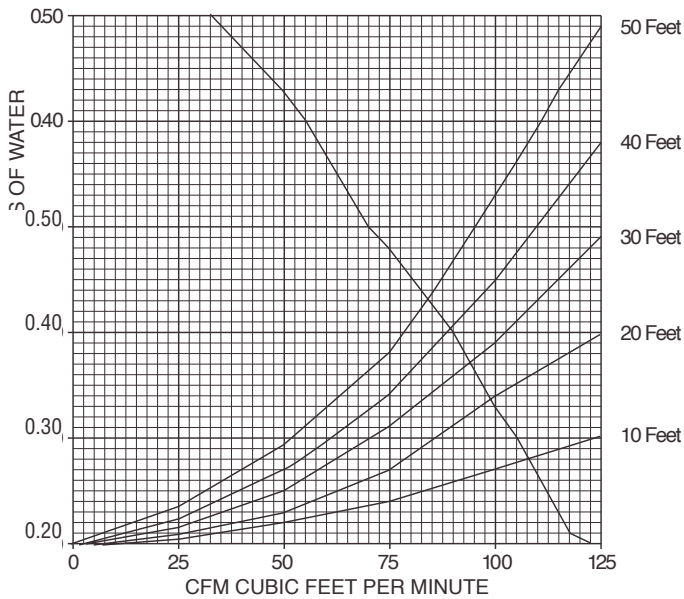


HVI-2100 CERTIFIED RATINGS comply with new testing technologies and procedures prescribed by the Home Ventilating Institute, for off-the-shelf products, as they are available to consumers. Product performance is rated at 0.1 in. static pressure, based on tests conducted in AMCA's state-of-the-art test laboratory. Sones are a measure of humanly-perceived loudness, based on laboratory measurements.

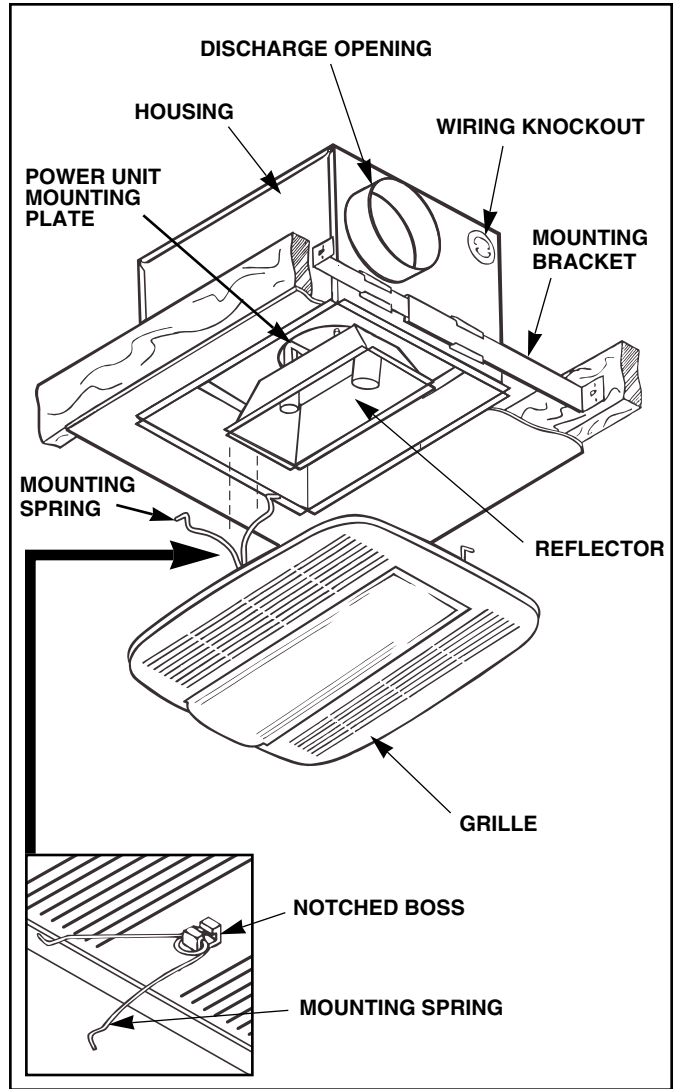
The air delivery of a ventilating system may be determined by:

1. Determine the equivalent duct length for each 90 degree elbow by adding one foot of duct length for each inch of duct diameter, i.e., a 4 inch diameter duct elbow equals 4 feet equivalent duct length and an 8 inch diameter duct elbow equals 8 feet equivalent duct length.
2. Add the total straight length of duct and the equivalent length for each elbow to obtain the total equivalent duct length.
3. Locate the intersection of the fan performance curve and the total equivalent duct length curves and draw a vertical line down to the CFM scale and read the system air performance.  
(NOTE: 3/4" x 10" duct equals 6 inch diameter duct.)

**QT100LH, QT100LHM, QT100LM  
AIR PERFORMANCE CURVE  
(4 In. Duct to 10 Foot Lengths)**



STATIC PRESSURE INCHES OF WATER	0.05	0.1	0.15	0.2	0.25	0.3	0.35	0.4
CFM	110	105	99	91	82	72	63	60



Product specifications subject to change without notice.