

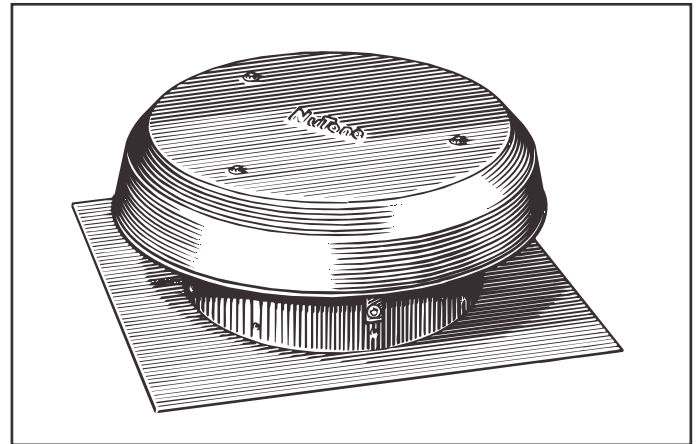
Exterior-Mounted Power Attic Ventilator with Automatic Thermostat MODEL: RF-49RP

DESCRIPTION

This powerful ventilator will flush out the intense summer heat that builds up in most attics. When this heat presses down on ceiling areas, it warms the entire house. The Attic Space Ventilator can reduce this attic heat to a temperature approaching that of the outside, allowing the air conditioner to operate more efficiently. Because the Attic Space Ventilator circulates the attic air, it not only cools, but also helps protect against moisture damage to insulation, ceilings, paint, roof boards and shingles.

DESIGN FEATURES

- Air Delivery:** 10000 CFM at .03" S.P.
1400 sq. ft. attic floor area.
- Dimensions:** 9" high, 24" diameter dome ,
25" square flashing plate.
- Motor:** Shaded Pole type, sleeve bearing,
thermally protected.
- Material & Finish:** Gray, UV protected, polymeric dome
with glavanized steel flashing plate.
Bird guard is expanded aluminum.
- Fan Blade:** 4 Fins, 14" diameter, 3" pitch,
aluminum with steel hub.
- Thermostat:** Adjustable from 50° to 120°F. Preset
to 110°F,
- Electrical Rating:** 120V, 60 Hz, 2.8A



ARCHITECT'S SPECIFICATIONS

Attic Space Ventilator shall be Model RF-49RP as manufactured by NuTone, according to product specifications listed: 9" high, dome 24" diameter, flashing 25" square; contains automatic, adjustable thermostat; 1000 CFM at .03" S.P.

CERTIFIED TEST DATA

Air delivery and sound level ratings are certified by the Home Ventilating Institute Division of AMCA, based on testing performed by an independent third party testing laboratory, in accordance with HVI standards. This NuTone model is listed by Underwriters' Laboratories Inc.



NUTONE, INC. / 4820 RED BANK ROAD, CINCINNATI, OHIO 45227
Product specifications subject to change without notice.

| REFERENCE | QTY. | REMARKS | Project | |
|-----------|------|---------|--------------|------|
| | | | Location | |
| | | | Architect | |
| | | | Engineer | |
| | | | Contractor | |
| | | | Submitted by | Date |

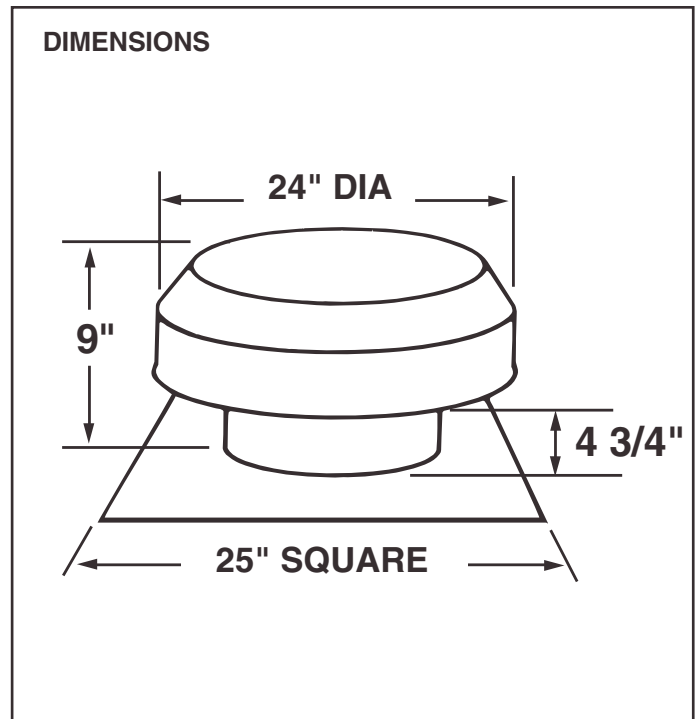
SELECTION DATA

To determine fan size needed, measure square footage of attic floor and multiply footage by .70. The result will be the minimum air delivery required.

INSTALLATION

Mounts on a pitched or flat roof between 16" O.C. rafters. Roof cutout minimum of 14½" diameter.

IMPORTANT: On a flat roof installation, fan must be mounted on curb build-up above the waterline. The Outlet Box containing thermostat attaches to nearest roof rafter. Thermostat preset at 110°F; calibrated dial settings from 70° to 130°F. Use standard on/off toggle switch (must be purchased separately from NuTone). Installation Instructions packaged with each unit.



Product specifications subject to change without notice.

4820 Red Bank Road, Cincinnati, Ohio 45227
Printed in U.S.A.