

Exterior-Mounted Power Attic Ventilator with Automatic Thermostat MODEL: RF-85R

DESCRIPTION

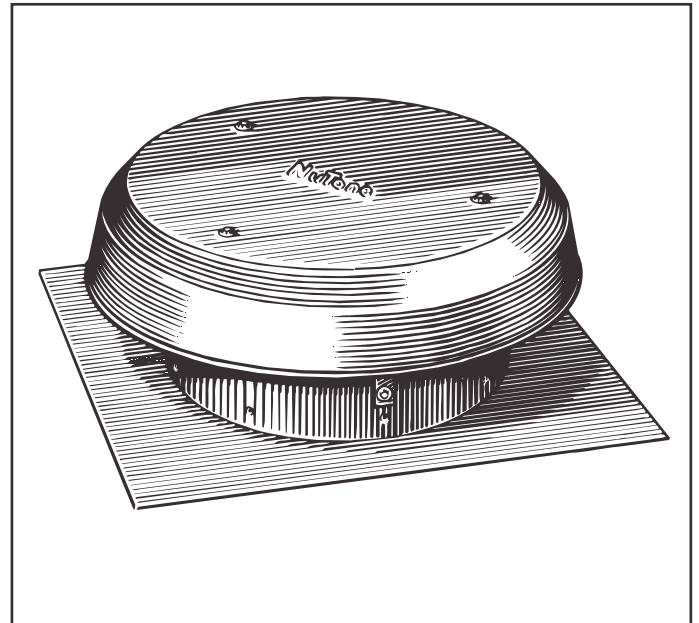
- Pulls hot air out of larger attics automatically. Exhausts moisture and condensation that can cause premature deterioration of attic insulation, shingles, roof, rafters, wiring and outside paint.
- Efficient PSC type motor.
- Trim silhouette with 22" diameter by 9" high housing.
- 23" square, rounded corners, one-piece self-flashing flange and venturi design provide complete rain seal. Includes expanded aluminum birdguard.
- Automatic thermostat turns the fan on at selected temperature setting from 70°F to 130°F or, may be used with a general use On/Off switch for manual control.
- 14½" diameter roof cutout between rafters. Install on flat or pitched roof. When used on flat roofs, fan should be mounted on built-up curb so that unit is raised above standing water level.

DESIGN FEATURES

- Air Delivery:** 1500 CFM at .03" S.P.
2200 sq. ft. attic floor area.
- Dimensions:** 9" high, 22" diameter dome,
23" square flashing plate.
- Motor:** PSC type, sleeve bearing, thermally protected (auto-reset with one-shot fuse backup protector)
- Material & Finish:** Flash plate and dome are plated steel with powder coat paint. Brown (BR) or Black (BL) finish. Birdguard is expanded aluminum.
- Fan Blade:** 5 Fins, 14" diameter, 4" pitch, galvanized steel.
- Thermostat:** Adjustable from 70° to 130° F. Preset to 110° F.
- Electrical Rating:** 120V, 60Hz, 3.8A

ARCHITECT'S SPECIFICATIONS

Attic Space Ventilator shall be Model RF-85R as manufactured by NuTone, according to product specifications listed: 9" high, dome 22" diameter, flashing 23" square; contains automatic, adjustable thermostat; 1500 CFM at .03" S.P.



CERTIFIED TEST DATA



Air delivery and sound level ratings are certified by the Home Ventilating Institute Division of AMCA, based on testing performed by an independent third party testing laboratory, in accordance with HVI standards. This NuTone model is listed by Underwriters' Laboratories Inc.

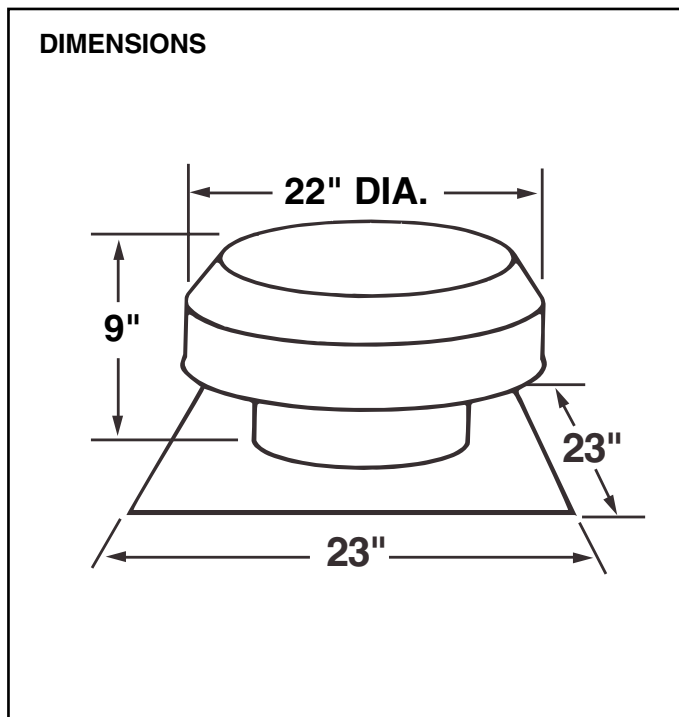
SELECTION DATA

To determine fan size needed, measure square footage of attic floor and multiply footage by .70. The result will be the minimum air delivery required.

INSTALLATION

Mounts on a pitched or flat roof between 16" O.C. rafters. Roof cutout minimum of 14½" diameter.

IMPORTANT: On a flat roof installation, fan must be mounted on curb build-up above the waterline. The Outlet Box containing thermostat attaches to nearest roof rafter. Thermostat preset at 110°F; calibrated dial settings from 70° to 130°F. Use standard on/off toggle switch (must be purchased separately from NuTone). Installation Instructions packaged with each unit.



Product specifications subject to change without notice.

4820 Red Bank Road, Cincinnati, Ohio 45227
Printed in U.S.A.