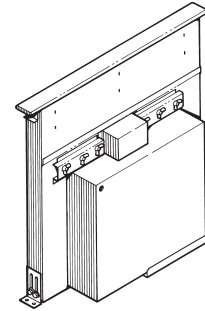


**MODELS RMDD3004EX,
RMDD3604EX, RMDD4804EX
RANGEMASTER[®]
REMOTE DOWNDRAFT**



Exhaust your cooktop without the use of an overhead hood. Control a powerful exterior blower (600-1500 CFM) from the cooktop location. Compact design is installed directly behind cooktop.

FEATURES

HOUSING:

- Rugged steel construction
- Finished with silver paint
- Space-saving - can be used with most cooktops on the market
- 30", 36", or 48" widths - Fits standard-size cabinets

CHIMNEY ASSEMBLY:

- Brushed stainless steel cover - just press button to turn unit "ON"
- Chimney rises 9½" when activated - ideal for large pots and pans
- Stylish, stainless steel filters with aluminum mesh - easy to remove and dishwasher-safe
- Stainless steel chimney front and back - makes cleanup quick and easy
- Flush-mounted, infinite rotary speed blower control
- Heat Sentry adjusts speed of blower to HIGH in case of excess heat
- Conveniently located button - press to lower air vent and turn unit "OFF"
- OPTIONAL Remote Control (Model RMDDRBK) activates downdraft from alternate location

DUCT CONNECTOR HOUSING:

- Rugged steel construction with galvanized finish
- 3¼" x 14" rectangular duct connector (8" round duct using Model 459 transition)
- 3-position discharge - movable to adjust to floor joists

TYPICAL SPECIFICATION

Downdraft blower system shall be Rangemaster[®] Model RMDD3004EX (RMDD3604EX) (RMDD4804EX).

Unit to have steel housing with silver paint finish. Air vent to rise at least 9½" and have a stainless steel front and back for ease of cleaning.

Filters to be stainless steel with aluminum mesh, easy to remove and dishwasher-safe.

¾" x 14" duct connector shall be adjustable to accommodate ductwork from left, right, or below and have 7½" side to side adjustment.

Unit must accept an optional remote control activation button.

Unit to include Heat Sentry, to adjust blower speed to HIGH in case of excess heat.

Downdraft system shall operate on 120 VAC and be able to be plugged into a standard grounded outlet. It will have an infinite speed blower control.

SPECIFICATIONS

VOLTS	HZ	AMPS	DUCT
120	60	6	¾" x 14"



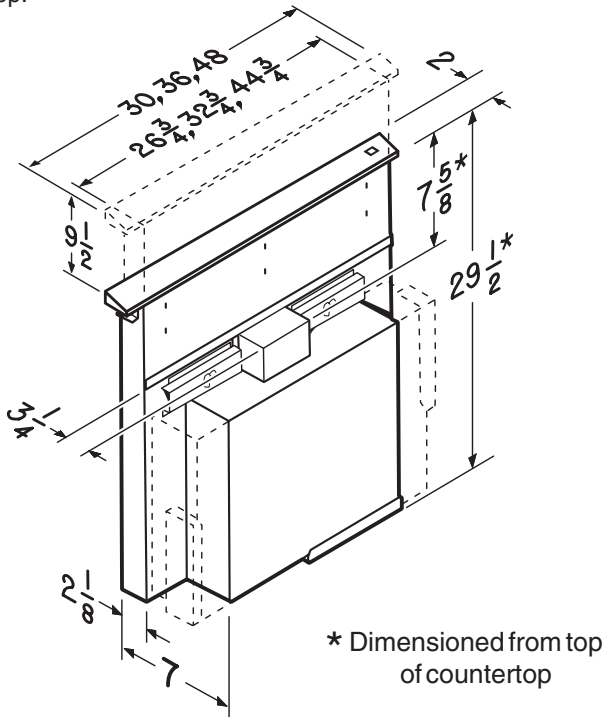
Broan-NuTone LLC, 926 West State Street, Hartford, WI 53027 (1-800-637-1453)
NuTone, Inc., 4820 Red Bank Road, Cincinnati, OH 45227 (1-800-543-8687)
Broan-NuTone Canada, Inc., 1140 Tristar Drive, Mississauga, Ontario, L5T 1H9 (1-888-882-7626)

REFERENCE	QTY.	REMARKS	Project	
			Location	
			Architect	
			Engineer	
			Contractor	
			Submitted by	Date

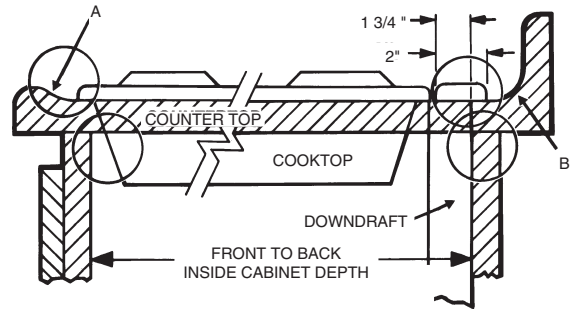
INSTALLATION PLANNING • MODELS RMDD3004EX, RMDD3604EX, RMDD4804EX

DIMENSIONS

NOTE: Dimensions shown are for reference only. Before cutting out countertop, refer to instructions packed with downdraft and cooktop.



DOWNDRAFT

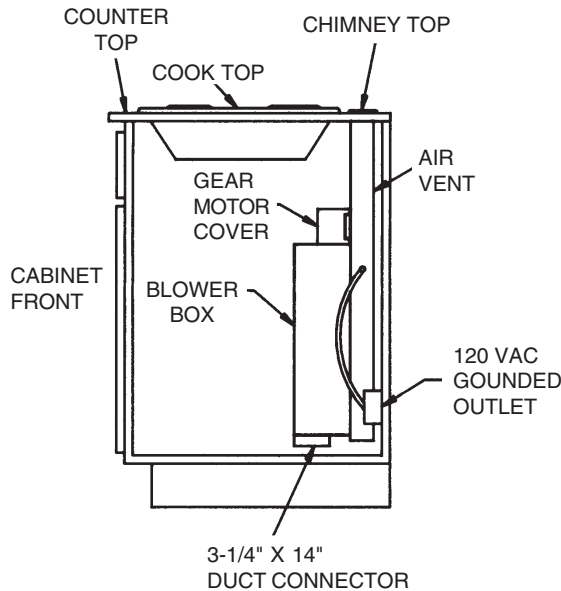


Refer to the cooktop installation instructions for dimensions of cooktop, countertop cut-out, and cabinet requirements. The RMDD3004EX can be installed in most standard 30" wide cabinets, (RMDD3604EX can be installed in most standard 36" wide cabinets), (RMDD4804EX can be installed in most standard 48" wide cabinets).

Cooktop depth can vary greatly from one to another. This may cause the fit of these two appliances to be rather tight.

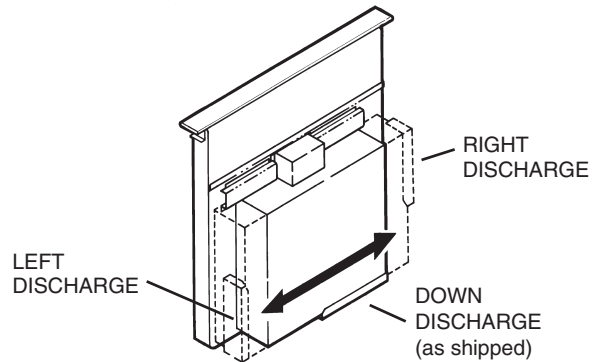
Pay special attention to the 4 areas of potential interference highlighted above. A countertop with (A) a raised lip and/or (B) a backsplash, may not allow enough flat countertop for a proper installation. The back of the downdraft cut-out will be 1 3/4" from the cooktop and 2" of FLAT countertop is needed behind cooktop.

TYPICAL INSTALLATION



DUCTWORK

This downdraft blower system is designed for use with 3 1/4" x 14" rectangular, or 8" round duct. The blower discharge can be positioned in one of 3 directions with 7 1/2" movement side to side.



3 1/4" x 14" TO 8" RD. TRANSITION 5 FT.	3 1/4" x 14" 90° ELBOW 19 FT.	8" RD. ELBOW 11 FT.
--	--------------------------------------	----------------------------

ELECTRICAL

The unit has an 18-in. power cord with a 3-pronged plug. Plan to provide a grounded outlet within reach of this cord.

The system will operate most efficiently when the ductwork does not exceed 40 feet of equivalent duct. The chart above, shows equivalent feet of elbows and transitions. The number of feet of straight 3 1/4" x 14" or 8" duct plus the equivalent feet of elbows or transitions to be used should equal 40 feet or less.

The equivalent feet of various roof and wall caps has been taken into consideration. Do not include them in this calculation.