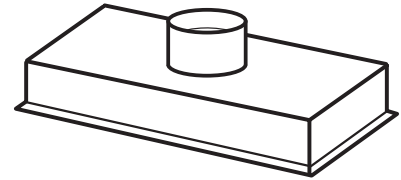


RANGEMASTER® RMPE7004 POWER PACK



Exterior blower provides higher exhaust options, ranging from 600 to 1,500 CFM.

FEATURES

- 430 Stainless Steel #4 Brushed facing
- Fully enclosed bottom
- 8" (200.0 mm) round vertical discharge
- Exterior mounted blower available in either 600, 900, 1200, or 1500 cfm
- Multi-speed control
- Two halogen lamps (2 x 20 watt, Type T4) included
- Dishwasher-safe aluminum filter features a quick-release latch and professional style appearance
- 27-9/16" wide design fits cabinet or custom hood that's 30" to 42" wide

OPTIONS

- 8" to 10" transition (Model 414)
- Replacement grease filters available (Part No. SB08087153)
- Interior blower version (RMP1) available, providing 400 CFM of exhaust

SPECIFICATIONS

VOLTS	AMPS	CFM	DUCT
120	6.0 max	600 (331H)	8" at
		900 (332H)	Range Hood
		1200 (335)	10" at
		1500 (336)	Exterior Blower



Broan-NuTone LLC, 926 West State Street, Hartford, WI 53027 (1-800-637-1453)
NuTone, Inc., 4820 Red Bank Road, Cincinnati, OH 45227 (1-800-543-8687)
Broan-NuTone Canada, Inc., 1140 Tristar Drive, Mississauga, Ontario, L5T 1H9 (1-888-882-7626)

TYPICAL SPECIFICATION

Range hood shall be Broan Model RMPE7004.

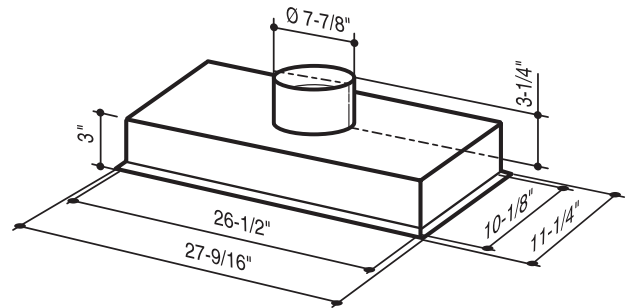
Power pack shall be connected via 8" round duct to exterior blower.

Unit shall have multi-speed fan switch and separate light switch.

Bottom shall be fully enclosed.

Air delivery shall be no less than 600, 900, 1200, or 1500 CFM.

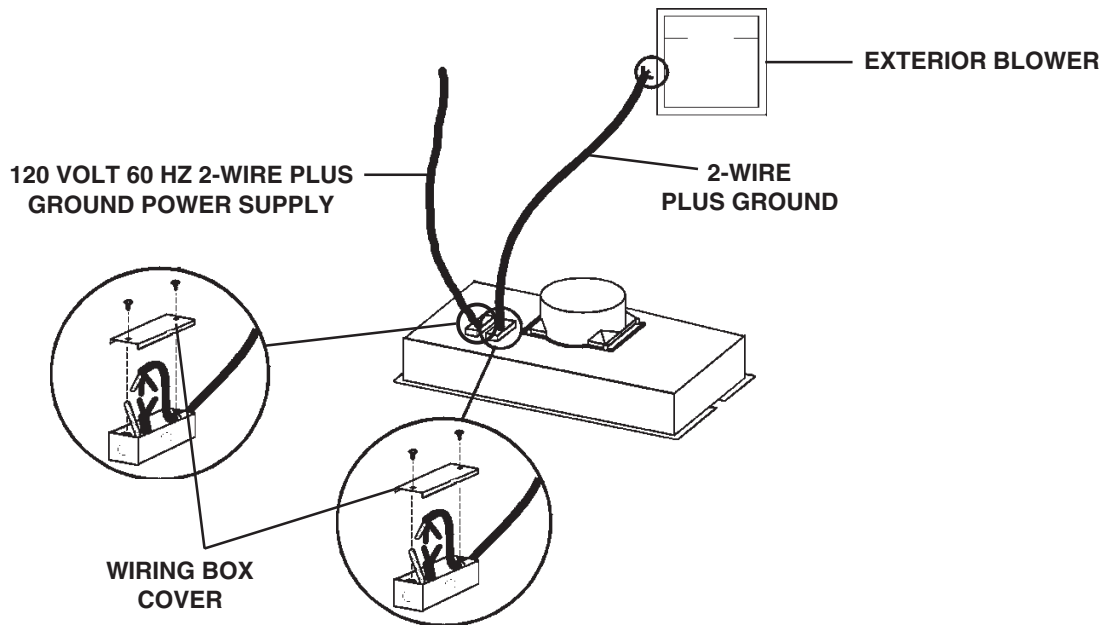
Unit shall be U.L. and cUL listed.



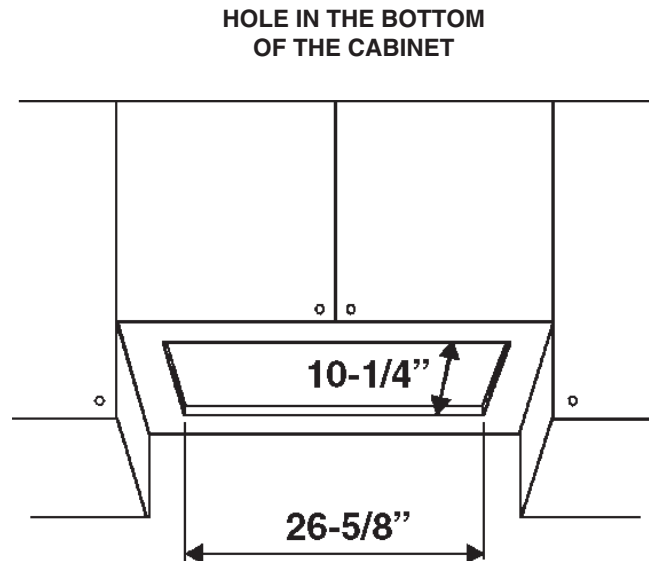
Mount power pack so bottom of unit is 24" to 30" above cooking surface.

REFERENCE	QTY.	REMARKS	Project	
			Location	
			Architect	
			Engineer	
			Contractor	
			Submitted by	Date

RMPE7004 WIRING



RMPE7004 MOUNTING



Broan-NuTone LLC, 926 West State Street, Hartford, WI 53027 (1-800-637-1453)
NuTone, Inc., 4820 Red Bank Road, Cincinnati, OH 45227 (1-800-543-8687)
Broan-NuTone Canada, Inc., 1140 Tristar Drive, Mississauga, Ontario, L5T 1H9 (1-888-882-7626)